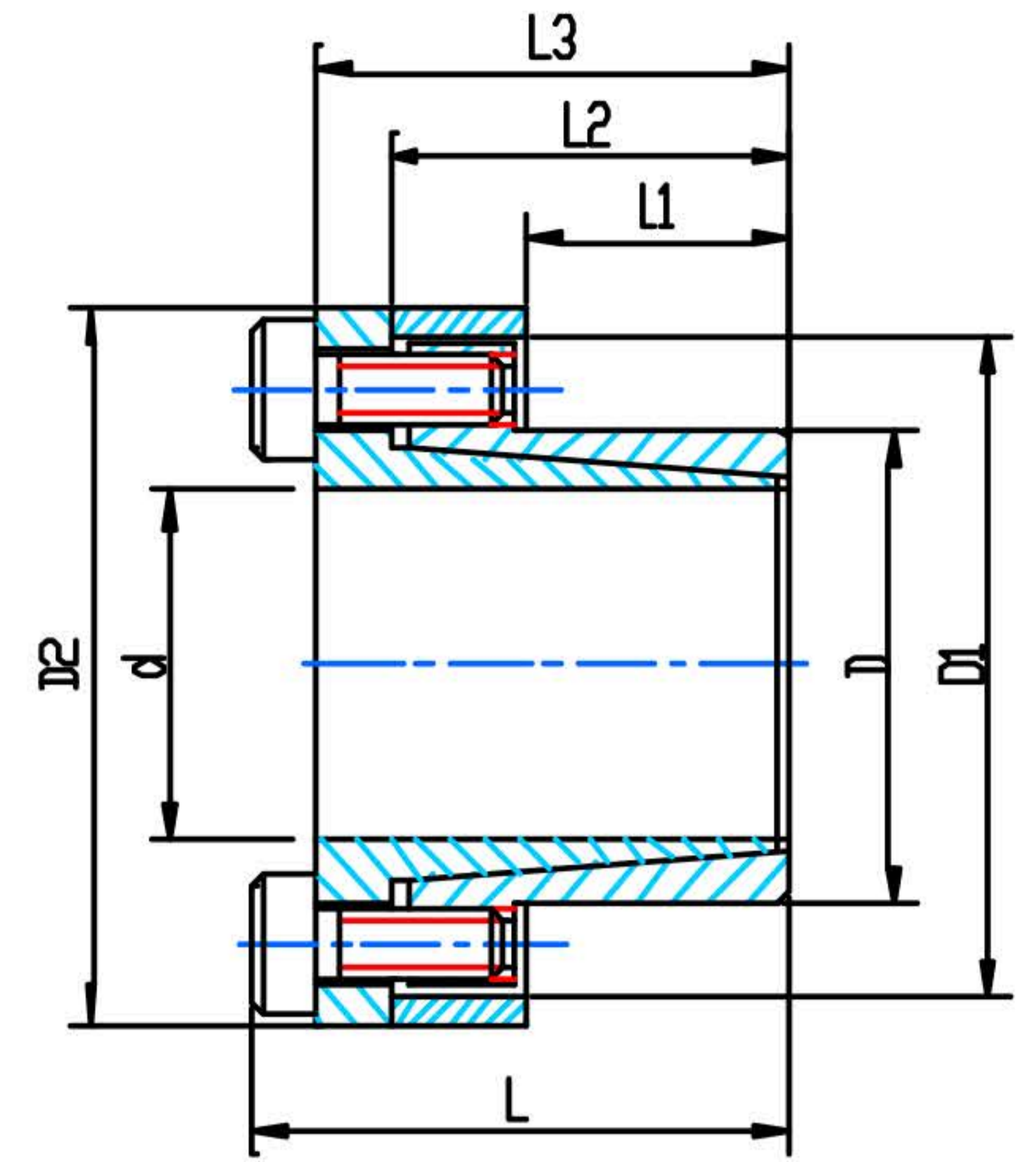


Wellock 02

Fitting Specification

SHAFT: h8

HUB: H8



Dimensions								Transmission		Contact Pressure Pf N/mm ²	Locking Screws Din912-12.9		
								Axial Force Ft KN	Torque Mt KN.M		Qty.	Size	Tightening Torque MA Nm
Φd mm	ΦD mm	L1 mm	L2 mm	L3 mm	L mm	D2 mm	D1 mm						
6	14	10	18.5	21	24	25	23	4.2	0.012	185	3	M3x8	2.2
7	15	12	22	25	29	27	24	7.4	0.025	235	3	M4x10	4.9
8	15	12	22	25	29	27	24	7.4	0.029	205	3	M4x10	4.9
9	16	14	23	26	30	32	25	9.4	0.044	205	3	M4x10	4.9
10	16	14	23	26	30	32	24	9.8	0.049	185	4	M4x10	4.9
11	18	14	23	26	30	32	28	9.8	0.053	170	4	M4x10	4.9
12	18	14	23	26	30	32	28	9.8	0.058	160	4	M4x10	4.9
13	23	14	23	26	30	38	33	9.8	0.063	140	4	M4x10	4.9
14	23	14	23	26	30	38	33	9.8	0.068	130	4	M4x10	4.9
15	24	16	29	36	42	45	40	17	0.127	185	3	M6x15	17
16	24	16	29	36	42	45	40	17	0.136	175	3	M6x15	17
17	26	18	31	38	44	47	42	22	0.18	190	4	M6x15	17
18	26	18	31	38	44	47	42	22	0.20	180	4	M6x15	17
19	27	18	31	38	44	49	43	22	0.21	170	4	M6x15	17
20	28	18	31	38	44	50	44	22	0.22	160	4	M6x15	17
22	32	25	38	45	51	54	48	22	0.25	115	4	M6x15	17
24	34	25	38	45	51	56	50	22	0.27	105	4	M6x15	17
25	34	25	38	45	51	56	50	22	0.28	100	4	M6x15	17
28	39	25	38	45	51	61	55	22	0.31	90	4	M6x15	17
30	41	25	38	45	51	62	57	22	0.34	85	4	M6x15	17
32	43	25	38	45	51	65	59	22	0.36	80	4	M6x15	17
35	47	32	45	52	58	69	62	45	0.79	105	8	M6x15	17
38	50	32	45	52	58	72	66	45	0.86	100	8	M6x15	17
40	53	32	45	52	58	75	69	45	0.90	95	8	M6x15	17
42	55	32	45	52	58	78	71	45	0.95	90	8	M6x15	17
45	59	45	62	70	78	86	80	84	1.89	110	8	M8x18	41
48	62	45	62	70	78	87	81	84	2.01	105	8	M8x18	41
50	65	45	62	70	78	92	86	84	2.10	100	8	M8x18	41
55	71	55	72	80	88	98	92	94	2.60	85	9	M8x18	41
60	77	55	72	80	88	104	98	94	2.84	75	9	M8x18	41
65	84	55	72	80	88	111	105	94	3.07	70	9	M8x18	41
70	90	65	86	96	106	119	113	150	5.25	90	9	M10x25	83
75	95	65	86	96	106	126	119	150	5.60	80	9	M10x25	83
80	100	65	86	96	106	131	125	200	8.02	100	12	M10x25	83
85	106	65	86	96	106	137	131	200	8.50	85	12	M10x25	83
90	112	65	86	96	106	144	137	200	9.00	90	12	M10x25	83
95	120	65	86	96	106	149	142	230	11.00	100	12	M10x25	83
100	125	65	86	96	106	154	147	300	15.00	120	12	M10x25	83
110	140	90	114	128	140	180	172	290	16.00	80	12	M12x30	145
120	155	90	114	128	140	198	187	290	17.50	70	12	M12x30	145
130	165	90	144	128	140	208	197	384	25.00	90	16	M12x30	145