



TRAXIFLEX®

Natural frequency : (1)
8 à 10 Hz

See Vibrachoc
metallic range :
VE101 - VE111
VE112 - VE113

DESCRIPTION

The TRAXIFLEX® mount comprises two metallic U armatures joined by two bonded rubber blocks. It is available in two versions : male/female and female/female.

OPERATION

The design of the TRAXIFLEX® mount gives the following basic characteristics :

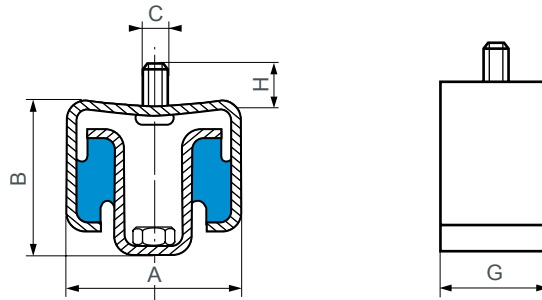
- Rubber works in compression-shear.
- The same deflection under nominal load for all types.
- Safety system in case of elastomer failure.

Advantages :

- Economic solution for suppressing structure borne noise.
- Several fixing methods.
- High resistance to atmospheric exposure :
 - galvanised armatures
 - chloroprene elastomer.
- Upper metallic part is shaped to simplify orientation while fixing.
- Two hardnesses of elastomer to extend the choice of mounting as a function of load.
- Filtration of vibration and the attenuation of the consequent noise.
- Allows movement due to thermal expansion.

1) les fréquences propres indiquées, sont valables pour les charges maxi des plages d'utilisation citées dans le paragraphe : CARACTÉRISTIQUES TECHNIQUES.

DIMENSIONS



| Type | Reference | | Hardness Shore A | A (mm) | B (mm) | C | G (mm) | H (mm) |
|------------|------------------|---------------|------------------|--------|--------|------------|--------|--------|
| | 1 screw - 1 nut | 2 nuts | | | | | | |
| TR 12-30 | 535600 | - | 45-60 | 47 | 38 | M7 x 1,50 | 16 | 7 |
| TR 12-30 | 53560361* | - | 60 | 47 | 38 | M6 x 1,00 | 16 | 17 |
| TR 12-30 | 535603 | - | 45 | 47 | 38 | M6 x 1,00 | 16 | 17 |
| TR 12-30 | - | 535623/61-M8 | 60 | 47 | 38 | M8 x 1,00 | 16 | 17 |
| TR 40-80 | 535611 | 535621 | 45-60 | 55 | 47 | M8 x 1,25 | 30 | 13 |
| TR 100-250 | 535612 | 535622 | 45-60 | 74 | 50 | M12 x 1,75 | 40 | 17 |

See current price list for availability of items.

* Elastomer resistant to fire M1.

OPERATING CHARACTERISTICS

| Recommended load (daN) | Deflection (mm) | Reference | | Hardness Shore A |
|------------------------|-----------------|------------------|---------------|------------------|
| | | 1 screw - 1 nut | 2 nuts | |
| 4-18 | 4 | 535600 | - | 45 |
| 4-18 | 4 | 565603 | - | 45 |
| 7-30 | 4 | 565600 | - | 60 |
| 7-30 | 4 | 53560361* | - | 60 |
| 7-30 | 4 | - | 535623/61-M8* | 60 |
| 10-52 | 4 | 535611 | 535621 | 45 |
| 20-80 | 4 | 535611 | 535621 | 60 |
| 20-80 | 4 | 535611* | 535621 | 60 |
| 20-92 | 4 | 535612 | 535622 | 45 |
| 30-136 | 4 | 535612 | 535622 | 60 |

TRAXIFLEX® mounts have been subjected to acoustic trials at the Centre Expérimental de Recherches et d'Études du Bâtiment et des Travaux Publics which has given the P.V nr. 554.6.078.

* Elastomer resistant to fire M1.

ASSEMBLY

When fixing, ensure that all the TRAXIFLEX® mounts are supporting the same load. It is necessary to ensure that they are all the same distance from the fixing surface (ceiling, girder, plank...). TRAXIFLEX® mounts can be used to suspend pipework : the whole assembly being fixed to the ceiling.

- Suspending hot air ducts.
- Suspending a fan unit and distribution ducts.
- Suspending a hot air generator with continuous airflow.
- Suspending an integral cased air conditioner.



HUTCHINSON®
PAULSTRA

PAULSTRA - 61 rue Marius AUFAN - 92309 Levallois-Perret Cedex - France - T. +33 1 40 89 53 31 - F. +33 1 47 25 28 96
www.paulstra-industry.com