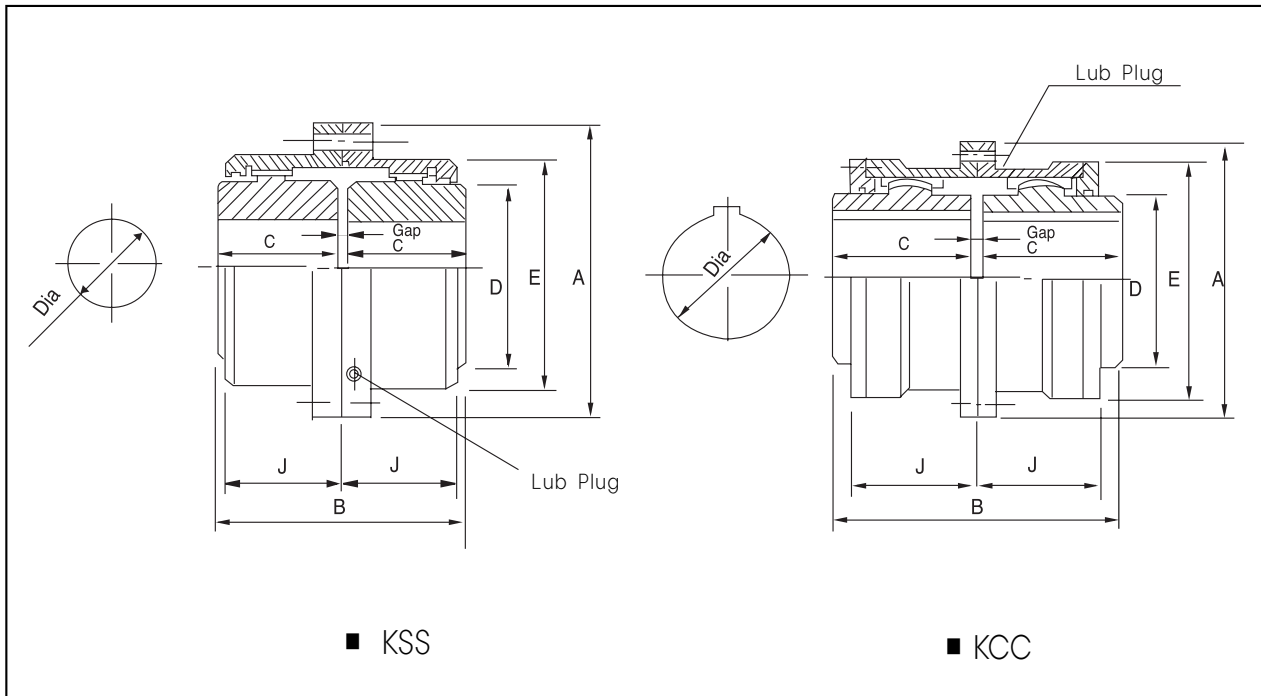


Gear Couplings - JIS

Type KSS (Gear Gouble) KCC (Gear Double Large)

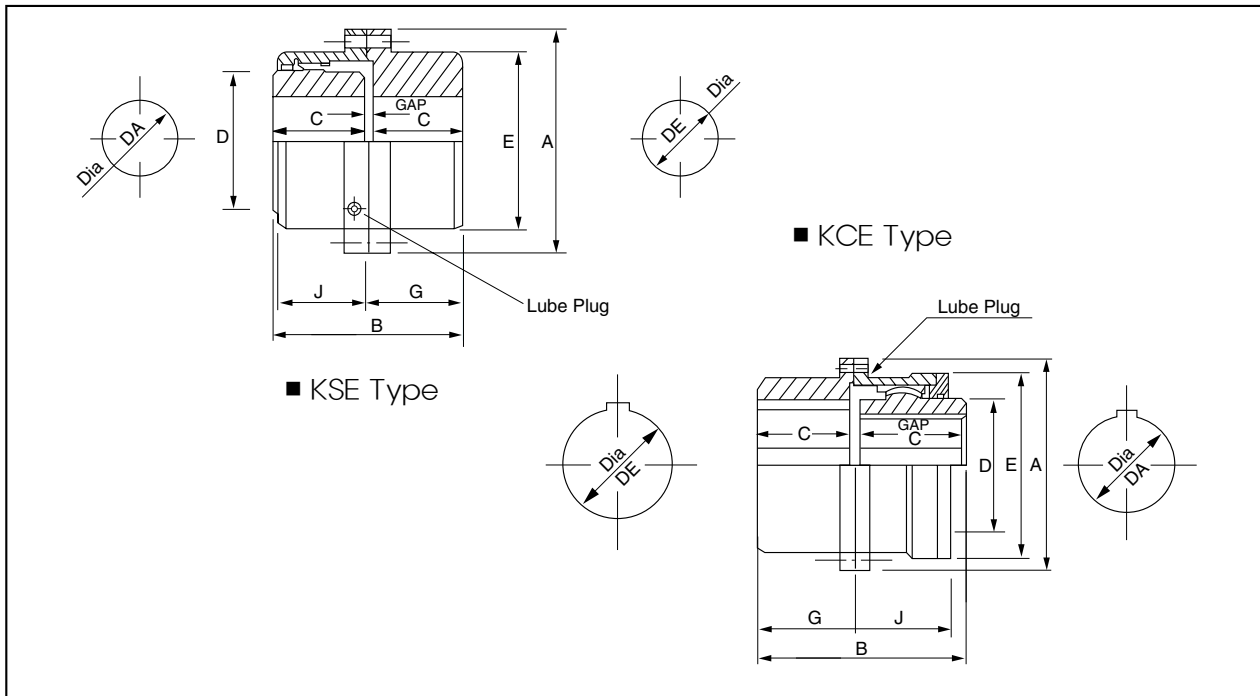


Size	HP Per 100 rpm	Max. Speed (rpm)	Basic Torque (kg · cm)	Bore Dia (mm)		Dimensions (mm)						Cplg Wt (kg)	Lube Wt (kg)	Size	
				Max.	Min.	A	B	C	D	E	J				Gap
KSS112	8	3,600	5,730	40	16	112	108	50	58	79	40	8	4.6	0.04	KSS112
KSS125	14	3,600	10,160	50	31	125	134	63	70	92	43	8	6.7	0.05	KSS125
KSS140	20	3,600	14,630	56	31	140	150	71	80	107	47	8	9.3	0.07	KSS140
KSS160	31	3,600	22,390	63	31	160	170	80	95	120	52	10	14	0.09	KSS160
KSS180	48	3,600	34,380	71	45	180	190	90	105	134	56	10	19	0.12	KSS180
KSS200	69	3,600	49,100	80	45	200	210	100	120	149	61	10	26	0.15	KSS200
KSS224	100	3,080	71,330	90	51	224	236	112	145	174	65	12	38	0.25	KSS224
KSS250	134	2,650	96,190	100	51	250	262	125	165	200	74	12	56	0.35	KSS250
KSS280	233	2,340	166,600	125	51	280	294	140	190	224	82	14	83	0.48	KSS280
KSS315	367	1,980	262,600	160	112	315	356	170	225	260	98	16	135	0.77	KSS315
KSS355	552	1,800	395,400	180	125	355	396	190	250	288	108	16	184	0.94	KSS355
KSS400	776	1,570	555,500	200	140	400	418	200	285	329	114	18	261	1.36	KSS400
KCC450	1,050	1,570	752,000	200	140	450	418	200	290	372	151	18	304	1.79	KCC450
KCC500	1,652	1,320	1,183,000	236	170	500	494	236	335	425	168	22	453	2.64	KCC500
KCC560	2,369	1,170	1,697,000	265	190	560	552	265	385	475	187	22	664	3.23	KCC560
KCC630	3,700	990	2,650,000	315	224	630	658	315	455	548	213	28	1,020	4.93	KCC630
KCC710	5,306	870	3,800,000	355	250	710	738	355	510	622	242	28	1,460	6.63	KCC710
KCC800	7,600	780	5,443,000	400	280	800	832	400	570	690	267	32	2,090	9.35	KCC800

■ Coupling weight without Bore.

Gear Couplings - JIS

Type KSE (Gear Single) KCE (Gear Single Large)



Size	HP Per 100 rpm	Max. Speed (rpm)	Basic Torque (kg · cm)	Bore Dia(mm)			Dimensions(mm)								Cplg Wt (kg)	Lub Wt (kg)	Size
				Max.		Min	A	B	C	D	E	G	J	Gap			
				DA	DE												
KSE112	8	3,600	5,730	40	50	16	112	108	50	58	79	54	40	8	4.6	0.04	KSE112
KSE125	14	3,600	10,160	50	56	31	125	134	63	70	92	67	43	8	6.7	0.05	KSE125
KSE140	20	3,600	14,630	56	63	31	140	150	71	80	107	75	47	8	9.3	0.07	KSE140
KSE160	31	3,600	22,390	65	75	31	160	170	80	95	120	85	52	10	14	0.09	KSE160
KSE180	48	3,600	34,380	75	80	45	180	190	90	105	134	95	56	10	19	0.12	KSE180
KSE200	69	3,600	49,100	85	95	45	200	210	100	120	149	105	61	10	26	0.15	KSE200
KSE224	100	3,080	71,330	100	105	51	224	236	112	145	174	118	65	12	38	0.25	KSE224
KSE250	134	2,650	96,190	115	125	51	250	262	125	165	200	131	74	12	56	0.35	KSE250
KSE280	233	2,340	166,600	135	150	51	280	294	140	190	224	147	82	14	83	0.48	KSE280
KSE315	367	1,980	262,600	160	180	112	315	356	170	225	260	178	98	16	135	0.77	KSE315
KSE355	552	1,800	395,400	180	200	125	355	396	190	250	288	198	108	16	184	0.94	KSE355
KSE400	776	1,570	555,500	200	236	140	400	418	200	285	329	209	114	18	261	1.36	KSE400
KCE450	1,050	1,540	752,000	205	225	140	450	418	200	290	372	209	151	18	304	1.79	KCE450
KCE500	1,652	1,320	1,183,000	236	270	170	500	494	236	335	425	247	168	22	453	2.64	KCE500
KCE560	2,369	1,170	1,167,000	275	305	190	560	552	265	385	475	276	187	22	664	3.23	KCE560
KCE630	3,700	990	2,650,000	325	355	224	630	658	315	455	548	329	213	28	1,020	4.93	KCE630
KCE710	5,306	870	3,800,000	360	400	250	710	738	355	510	622	369	242	28	1,460	6.63	KCE710
KCE800	7,600	780	5,443,000	405	450	280	800	832	400	570	690	416	267	32	2,090	9.35	KCE800

■ Coupling weight without Bore.