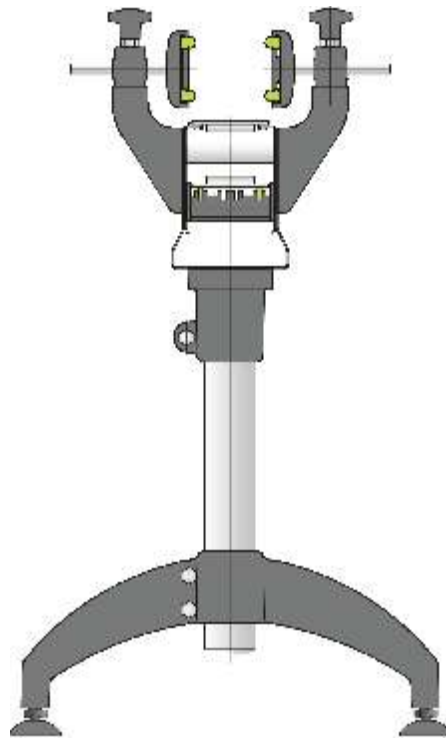


















































# Conveyor Components

















































## Part Index

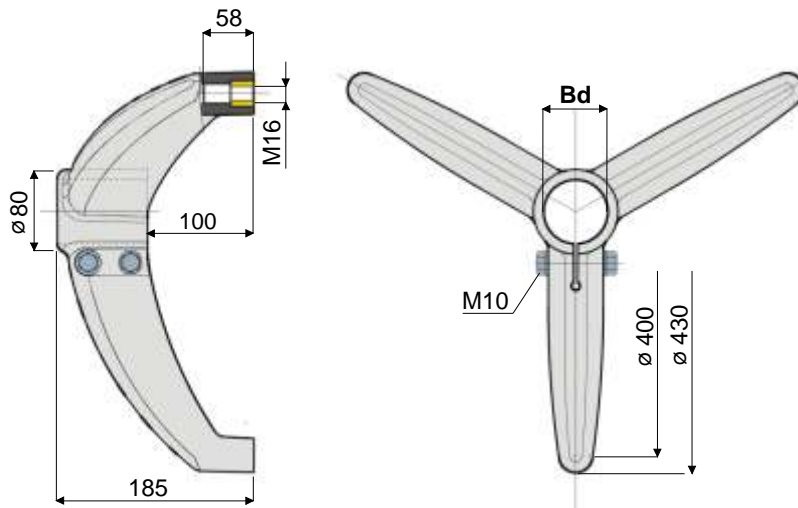
Part. <b>200</b>	Pag. 6	Part. <b>231</b>	Pag. 50	Part. <b>262</b>	Pag. 71
Part. <b>201</b>	Pag. 7	Part. <b>232</b>	Pag. 51	Part. <b>263</b>	Pag. 97
Part. <b>202</b>	Pag. 8	Part. <b>233</b>	Pag. 62	Part. <b>264</b>	Pag. 95
Part. <b>203</b>	Pag. 9	Part. <b>234</b>	Pag. 63	Part. <b>265</b>	Pag. 96
Part. <b>204</b>	Pag. 54	Part. <b>235</b>	Pag. 46	Part. <b>266</b>	Pag. 33
Part. <b>205</b>	Pag. 55	Part. <b>236</b>	Pag. 45	Part. <b>267</b>	Pag. 75
Part. <b>206</b>	Pag. 56	Part. <b>237</b>	Pag. 57	Part. <b>268</b>	Pag. 72
Part. <b>207</b>	Pag. 13	Part. <b>238</b>	Pag. 58	Part. <b>269</b>	Pag. 73
Part. <b>208</b>	Pag. 11	Part. <b>239</b>	Pag. 59	Part. <b>270</b>	Pag. 82
Part. <b>209</b>	Pag. 28	Part. <b>240</b>	Pag. 60	Part. <b>271</b>	Pag. 81
Part. <b>210</b>	Pag. 14	Part. <b>241</b>	Pag. 61	Part. <b>272</b>	Pag. 88
Part. <b>211</b>	Pag. 12	Part. <b>242</b>	Pag. 30	Part. <b>273</b>	Pag. 83
Part. <b>212</b>	Pag. 10	Part. <b>243</b>	Pag. 20	Part. <b>274</b>	Pag. 84
Part. <b>213</b>	Pag. 15	Part. <b>244</b>	Pag. 24	Part. <b>275</b>	Pag. 87
Part. <b>214</b>	Pag. 16	Part. <b>245</b>	Pag. 90	Part. <b>276</b>	Pag. 92
Part. <b>215</b>	Pag. 18	Part. <b>246</b>	Pag. 41	Part. <b>277</b>	Pag. 98
Part. <b>216</b>	Pag. 22	Part. <b>247</b>	Pag. 42	Part. <b>278</b>	Pag. 99
Part. <b>217</b>	Pag. 25	Part. <b>248</b>	Pag. 43	Part. <b>279</b>	Pag. 17
Part. <b>218</b>	Pag. 23	Part. <b>249</b>	Pag. 89	Part. <b>280</b>	Pag. 19
Part. <b>219</b>	Pag. 26	Part. <b>250</b>	Pag. 76	Part. <b>281</b>	Pag. 21
Part. <b>220</b>	Pag. 29	Part. <b>251</b>	Pag. 77	Part. <b>282</b>	Pag. 94
Part. <b>221</b>	Pag. 32	Part. <b>252</b>	Pag. 78	Part. <b>283</b>	Pag. 65
Part. <b>222</b>	Pag. 31	Part. <b>253</b>	Pag. 80	Part. <b>285</b>	Pag. 74
Part. <b>223</b>	Pag. 34	Part. <b>254</b>	Pag. 93	Part. <b>286</b>	Pag. 86
Part. <b>224</b>	Pag. 36	Part. <b>255</b>	Pag. 27	Part. <b>287</b>	Pag. 85
Part. <b>225</b>	Pag. 37	Part. <b>256</b>	Pag. 35	Part. <b>288</b>	Pag. 64
Part. <b>226</b>	Pag. 38	Part. <b>257</b>	Pag. 66	Part. <b>289</b>	Pag. 47
Part. <b>227</b>	Pag. 39	Part. <b>258</b>	Pag. 67	Part. <b>290</b>	Pag. 53
Part. <b>228</b>	Pag. 40	Part. <b>259</b>	Pag. 68	Part. <b>291</b>	Pag. 52
Part. <b>229</b>	Pag. 48	Part. <b>260</b>	Pag. 69	Part. <b>293</b>	Pag. 91
Part. <b>230</b>	Pag. 49	Part. <b>261</b>	Pag. 70	Part. <b>294</b>	Pag. 44

					
Part.200 pag.006	Part.201 pag.007	Part.202 pag.008	Part.203 pag.009	Part.212 pag.010	Part.208 pag.011
					
Part.211 pag.012	Part.207 pag.013	Part.210 pag.014	Part.213 pag.015	Part.214 pag.016	Part.279 pag.017
					
Part.215 pag.018	Part.280 pag.019	Part.243 pag.020	Part.281 pag.021	Part.216 pag.022	Part.218 pag.023
					
Part.244 pag.024	Part.217 pag.025	Part.219 pag.026	Part.255 pag.027	Part.209 pag.028	Part.220 pag.029
					
Part.242 pag.030	Part.222 pag.031	Part.221 pag.032	Part.266 pag.033	Part.223 pag.034	Part.256 pag.035
					
Part.224 pag.036	Part.225 pag.037	Part.226 pag.038	Part.227 pag.039	Part.228 pag.040	Part.246 pag.041
					
Part.247 pag.042	Part.248 pag.043	Part.294 pag.044	Part.236 pag.045	Part.235 pag.046	Part.289 pag.047
					
Part.229 pag.048	Part.230 pag.049	Part.231 pag.050	Part.232 pag.051	Part.291 pag.052	Part.290 pag.053

# Contents



 Part.204 pag.054	 Part.205 pag.055	 Part.206 pag.056	 Part.237 pag.057	 Part.238 pag.058	 Part.239 pag.059
 Part.240 pag.060	 Part.241 pag.061	 Part.233 pag.062	 Part.234 pag.063	 Part.288 pag.064	 Part.283 pag.065
 Part.257 pag.066	 Part.258 pag.067	 Part.259 pag.068	 Part.260 pag.069	 Part.261 pag.070	 Part.262 pag.071
 Part.268 pag.072	 Part.269 pag.073	 Part.285 pag.074	 Part.267 pag.075	 Part.250 pag.076	 Part.251 pag.077
 Part.252 pag.078	 Part.296 pag.079	 Part.253 pag.080	 Part.271 pag.081	 Part.270 pag.082	 Part.273 pag.083
 Part.274 pag.084	 Part.287 pag.085	 Part.286 pag.086	 Part.275 pag.087	 Part.272 pag.088	 Part.249 pag.089
 Part.245 pag.090	 Part.293 pag.091	 Part.276 pag.092	 Part.254 pag.093	 Part.282 pag.094	 Part.264 pag.095
 Part.265 pag.096	 Part.263 pag.097	 Part.277 pag.098	 Part.278 pag.099		



Bd		Zinc plated bolts and nuts	Stainless steel bolts and nuts (AISI 304)	Tube unthreading load	Max static load allowed
Bore for tubes of (mm)	(Inches)	Code/Codice	Code/Codice	N	N
60,3	2"	200 / 80588	200 / 80589	9600	15800
50,8		200 / 82070	200 / 82071		
48,3	1"1/2	200 / 80590	200 / 80591		
42,4	1"1/4	200 / 80592	200 / 80593		
45x45	square tube	200 / 80271	200 / 80753		

**MATERIALS:** Base made of reinforced polyamide, threaded bushing made of brass, fixing bolts and nuts made of stainless steel or zinc plated steel.

**FEATURES:** Max tightening torque 3,6 kgm

**BOX QUANTITY:** 8 pieces.

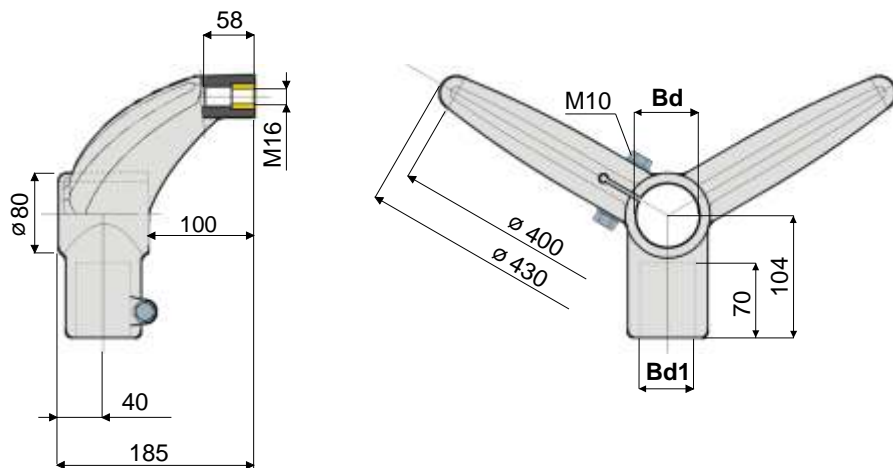
**ON REQUEST:** Bases: In reinforced polypropylene, other colours.

**Box Quantity:** According to your request.

**Assembling of:** Bolts and nuts.

# Support base

(bipod at 120°)



Bd (mm) (Inches)	Bd1 (mm) (Inches)	Bore for tubes of		Zinc plated bolts and nuts	Stainless steel bolts and nuts (AISI 304)	Tube unthreading load N	Max static load allowed N
		(mm) (Inches)	(mm) (Inches)	Code/Codice	Code/Codice		
60,3 2"	48,3 1 1/2"	60,3 2"	48,3 1 1/2"	201 / 80612	201 / 80613	9600	15800
60,3 2"	42,4 1 1/4"	60,3 2"	42,4 1 1/4"	201 / 80614	201 / 80615		
48,3 1 1/2"	48,3 1 1/2"	48,3 1 1/2"	48,3 1 1/2"	201 / 80616	201 / 80617		
48,3 1 1/2"	42,4 1 1/4"	48,3 1 1/2"	42,4 1 1/4"	201 / 80618	201 / 80619		
42,4 1 1/4"	42,4 1 1/4"	42,4 1 1/4"	42,4 1 1/4"	201 / 80620	201 / 80621		

**MATERIALS:** Base made of reinforced polyamide, threaded bushing made of brass, fixing bolts and nuts made of stainless steel or zinc plated steel.

**FEATURES:** Max tightening torque 3,6 kgm

**BOX QUANTITY:** 8 pieces.

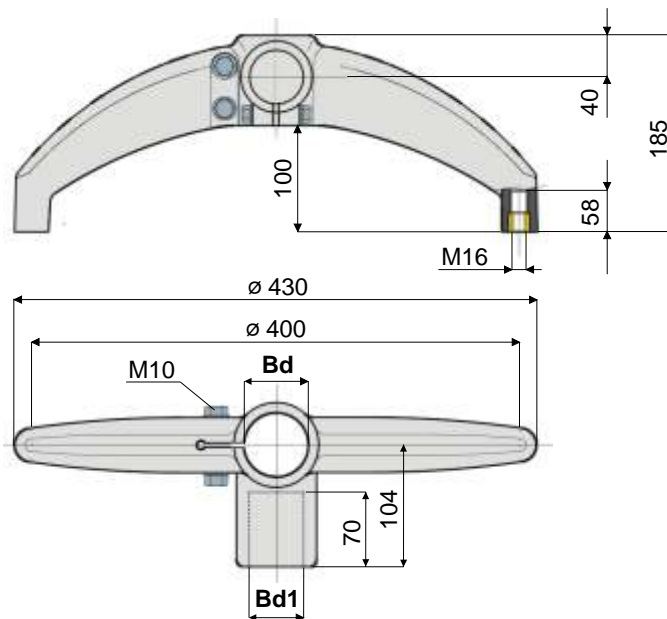
**ON REQUEST: Bases:** In reinforced polypropylene, other colours.

**Box Quantity:** According to your request.

**Assembling of:** Bolts and nuts.

# Support base (bipod at 180°)

Part. 202



Bd Bore for tubes of (mm) (Inches)	Bd1 (mm) (Inches)	Zinc plated bolts and nuts	Stainless steel bolts and nuts (AISI 304)	Tube unthreading load N	Max static load allowed N
		Code/Codice	Code/Codice		
60,3 2"	48,3 1"1/2	202 / 80622	202 / 80623	9600	15800
60,3 2"	42,4 1"1/4	202 / 80624	202 / 80625		
48,3 1"1/2	48,3 1"1/2	202 / 80626	202 / 80627		
48,3 1"1/2	42,4 1"1/4	202 / 80628	202 / 80629		
42,4 1"1/4	42,4 1"1/4	202 / 80630	202 / 80631		

**MATERIALS:** Base made of reinforced polyamide, threaded bushing made of brass, fixing bolts and nuts made of stainless steel or zinc plated steel.

**FEATURES:** Max tightening torque 3,6 kgm

**BOX QUANTITY:** 8 pieces.

**ON REQUEST: Bases:** In reinforced polypropylene, other colours.

**Box Quantity:** According to your request.

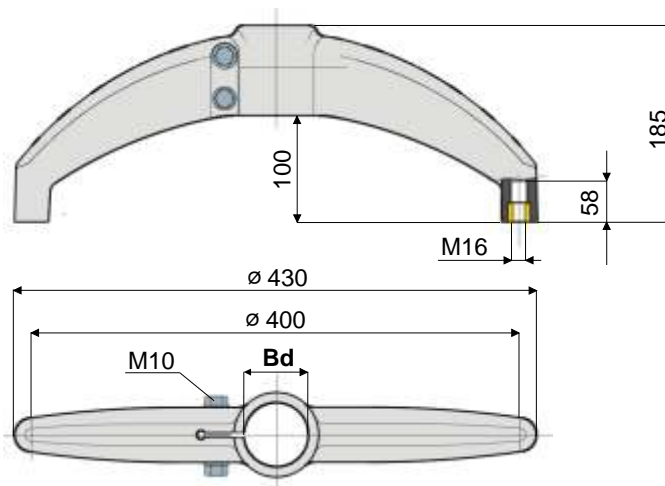
**Assembling of:** Bolts and nuts.

# Support base

(bipod at 180°)



Part. 203



Bd Bore for tubes of (mm) (Inches)	Zinc plated bolts and nuts		Stainless steel bolts and nuts (AISI 304)		Tube unthreading load N	Max static load allowed N
	Code/Codice		Code/Codice			
60,3 2"	203 / 80632		203 / 80633		9600	15800
48,3 1"1/2	203 / 80634		203 / 80635			
42,4 1"1/4	203 / 80636		203 / 80637			

**MATERIALS:** Base made of reinforced polyamide, threaded bushing made of brass, fixing bolts and nuts made of stainless steel or zinc plated steel.

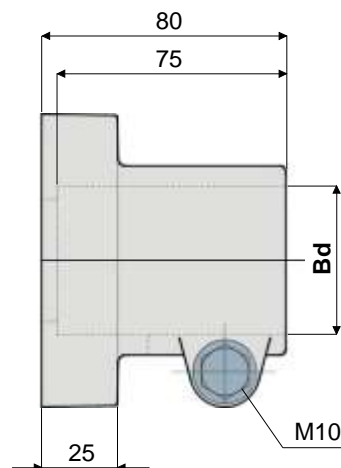
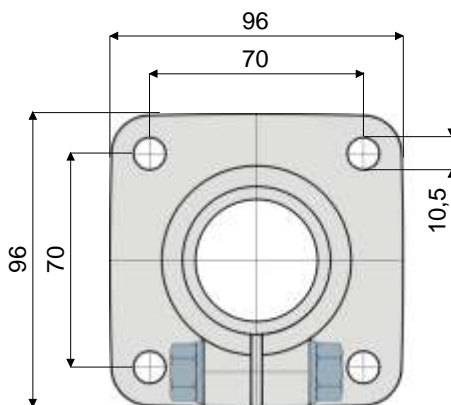
**FEATURES:** Max tightening torque 3,6 kgm

**BOX QUANTITY:** 8 pieces.

**ON REQUEST: Bases:** In reinforced polypropylene, other colours.

**Box Quantity:** According to your request.

**Assembling of:** Bolts and nuts.



Bd		Zinc plated bolts and nuts	Stainless steel bolts and nuts (AISI 304)
Bore for tube of			
(mm)	(Inches)	Code/Codice	Code/Codice
48,3	1"1/2	212 / 80650	212 / 80651

**MATERIALS:** Bearing head made of reinforced polyamide, bolts and nuts made of stainless steel or zinc plated steel.

**FEATURES:** Max tightening torque 3,6 kgm.

**BOX QUANTITY:** 8 pieces.

**ON REQUEST: Top Bracket:** In reinforced polypropylene, other colours.

**Box Quantity:** According to your request.

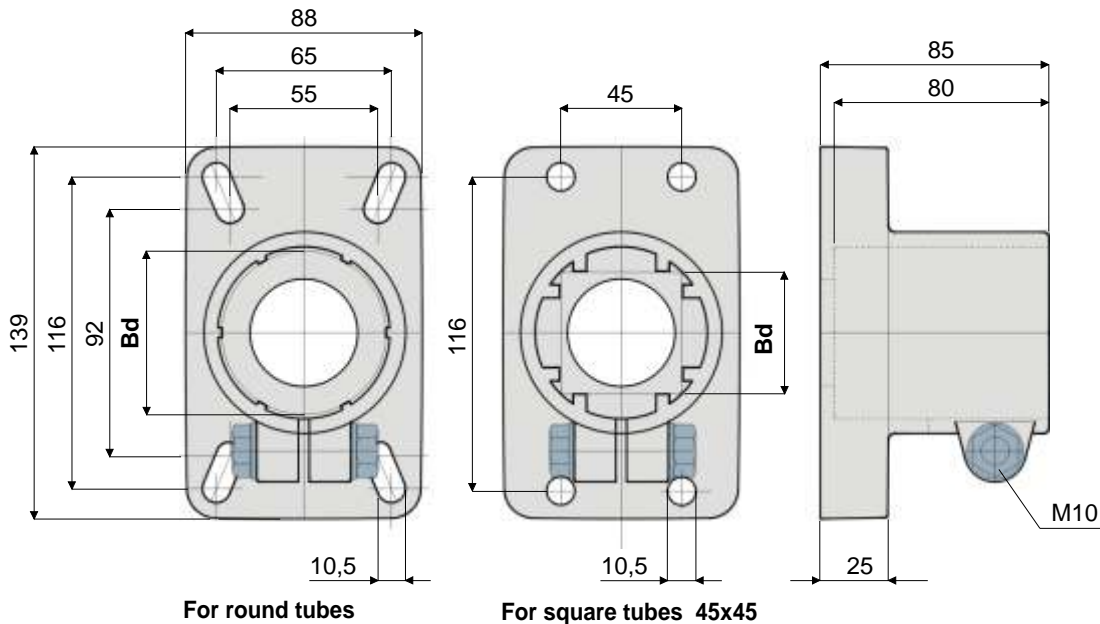
**Assembling of:** Bolts and nuts.



# Bearing head



Part. 208



Bd		Zinc plated bolts and nuts	Stainless steel bolts and nuts (AISI 304)
Bore for tube of		Code/Codice	Code/Codice
(mm)	(Inches)		
60,3	2"	208 / 80764	208 / 80765
50,8		208 / 82072	208 / 82073
48,3	1"1/2	208 / 80766	208 / 80767
42,4	1"1/4	208 / 80768	208 / 80769
45x45	square tube	208 / 80770	208 / 80771

**MATERIALS:** Bearing head made of reinforced polyamide, bolts and nuts made of stainless steel or zinc plated steel.

**FEATURES:** Max tightening torque 3,6 kgm.

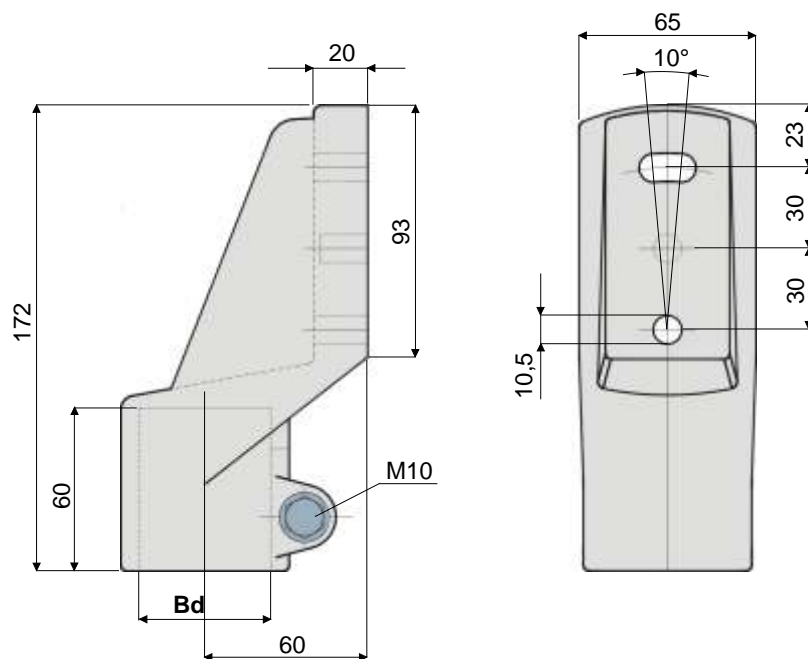
**BOX QUANTITY:** 8 pieces.

**ON REQUEST: Bearing head:** In reinforced polypropylene, other colours.

**Box Quantity:** According to your request.

**Assembling of:** Bolts and nuts.

Part. 211



Bd		Zinc plated bolts and nuts	Stainless steel bolts and nuts (AISI 304)
Bore for tube of (mm)	(Inches)	Code/Codice	Code/Codice
48,3	1"1/2	211 / 80648	211 / 80649

**MATERIALS:** Top bracket made out of reinforced polyamide, bolts and nuts made out of stainless steel or zinc plated steel.

**FEATURES:** Max tightening torque 3,6 kgm.

**BOX QUANTITY:** 8 pieces.

**ON REQUEST: Top bracket:** In reinforced polypropylene, other colours.

**Box Quantity:** According to your request.

**Assembling of:** Bolts and nuts.

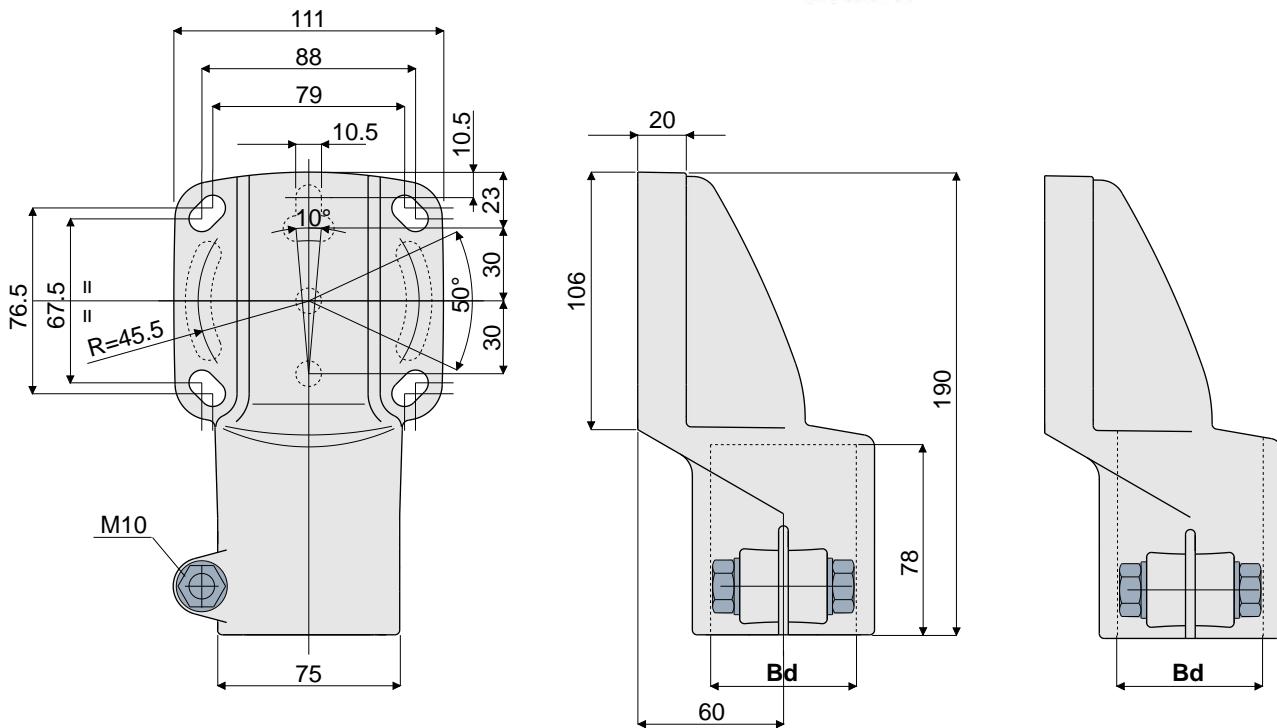
# Side mounting top bracket



Part. 207



**NEW**



Bd Bore for tube of	Zinc plated bolts and nuts		Stainless steel bolts and nuts (AISI 304)	
	Code/Codice		Code/Codice	
60,3 2"	207 / 80790		207 / 80791	
48,3 1"1/2	207 / 80792		207 / 80793	
42,4 1"1/4	207 / 80794		207 / 80795	
45x45	207 / 80796		207 / 80797	
<b>NEW</b> 48,3 Through hole	207 / 82632		207 / 82633	

**MATERIALS:** Top bracket made of reinforced polyamide, bolts and nuts made of stainless steel or zinc plated steel.

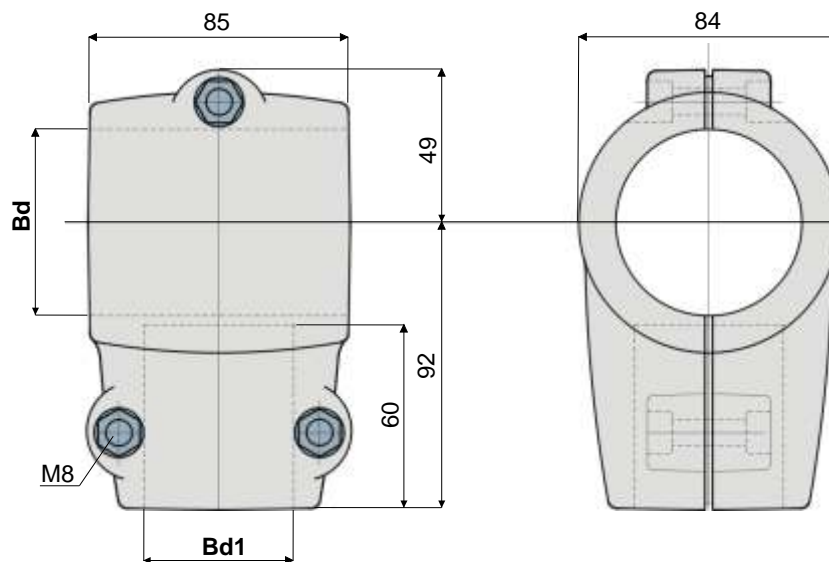
**FEATURES:** Max tightening torque 3,6 kgm.

**BOX QUANTITY:** 8 pieces.

**ON REQUEST: Top Bracket:** In reinforced polypropylene, other colours.

**Box Quantity:** According to your request.

**Assembling of:** Bolts and nuts.



Bd Bores for tubes of (mm) (Inches)	Bd1 (mm) (Inches)	Zinc plated bolts and nuts	Stainless steel bolts and nuts (AISI 304)
		Code/Codice	Code/Codice
60,3 2"	48,3 1"1/2	210 / 80638	210 / 80639
60,3 2"	42,4 1"1/4	210 / 80640	210 / 80641
48,3 1"1/2	48,3 1"1/2	210 / 80642	210 / 80643
48,3 1"1/2	42,4 1"1/4	210 / 80644	210 / 80645
42,4 1"1/4	42,4 1"1/4	210 / 80646	210 / 80647

**MATERIALS:** Joint made of reinforced polyamide, bolts and nuts made of stainless steel or zinc plated steel.

**FEATURES:** Max tightening torque 2 kgm

**BOX QUANTITY:** 8 pieces.

**ON REQUEST:** Joint: In reinforced polypropylene, other colours.

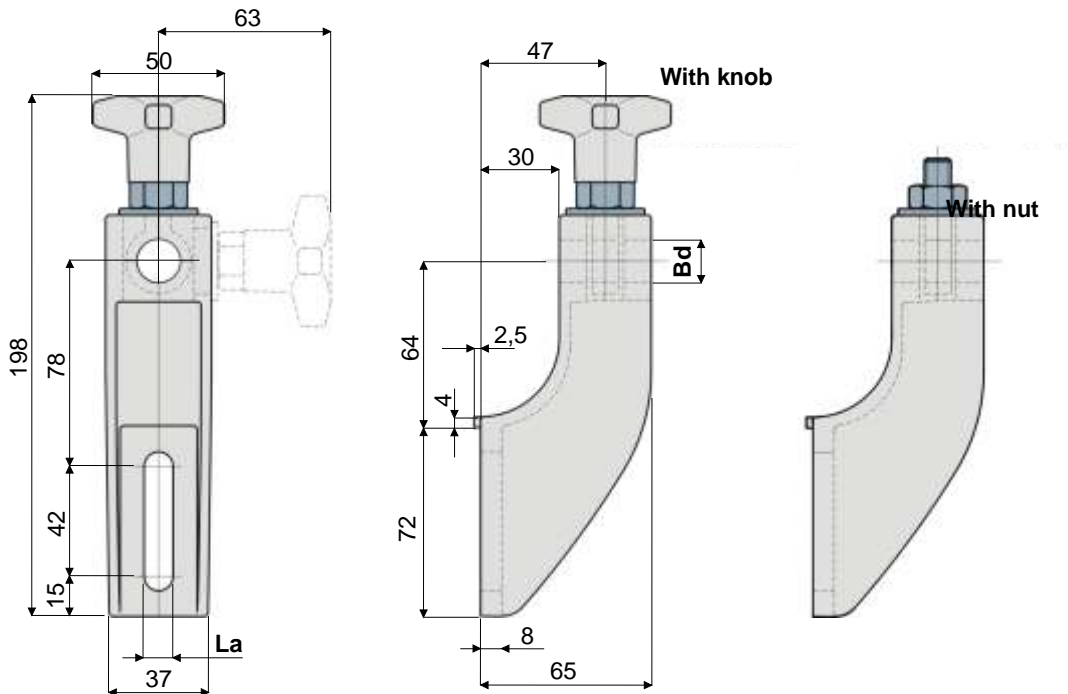
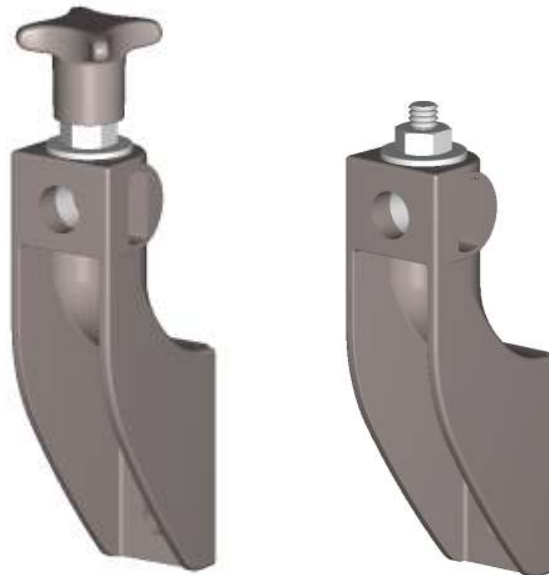
**Box Quantity:** According to your request.

**Assembling of:** Bolts and nuts.

# Guide rail bracket



Part. 213



La = 9 mm		
	With knob	With nut
	Code/Codice	Code/Codice
12	213 / 81176	213 / 82105
14	213 / 82102	213 / 82107
16	213 / 82104	213 / 82109

La = 11 mm		
Bd Bore for pin of	With knob	With nut
	Code/Codice	Code/Codice
12	213 / 80652	213 / 80653
14	213 / 80654	213 / 80655
16	213 / 80656	213 / 80657

**MATERIALS:** Bracket and knob made of reinforced polyamide, eyebolt and hexagonal insert made of nickel plated brass, nut and washer made of stainless steel AISI 304.

**FEATURES:** Max tightening torque 4 kgm.

**BOX QUANTITY:** 24 pieces.

**ON REQUEST: Brackets:** In reinforced polypropylene, other colours.

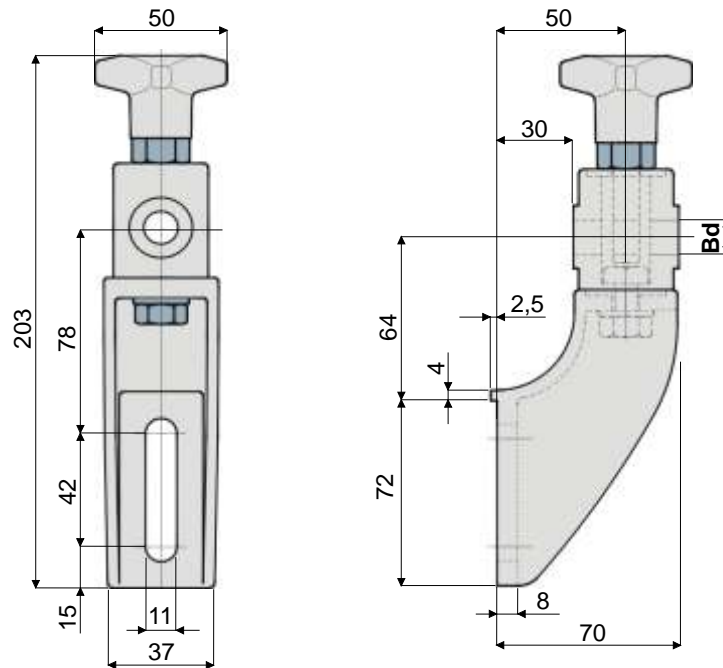
**Box Quantity:** According to your request.

**Assembling of:** Bolts and nuts.

# Guide rail bracket

(with adjustable head)

Part. 214



Bd Bore for pin of (mm)	Code/Codice
12	214 / 80755
14	214 / 80756
16	214 / 80757

**MATERIALS:** Bracket, head and knob made of reinforced polyamide, eyebolt and hexagonal insert made of nickel plated brass, screw, nut and washer made of stainless steel AISI 304.

**FEATURES:** Max tightening torque 4 kgm.

**BOX QUANTITY:** 24 pieces.

**ON REQUEST: Brackets:** In reinforced polypropylene, other colours.

**Box Quantity:** According to your request.

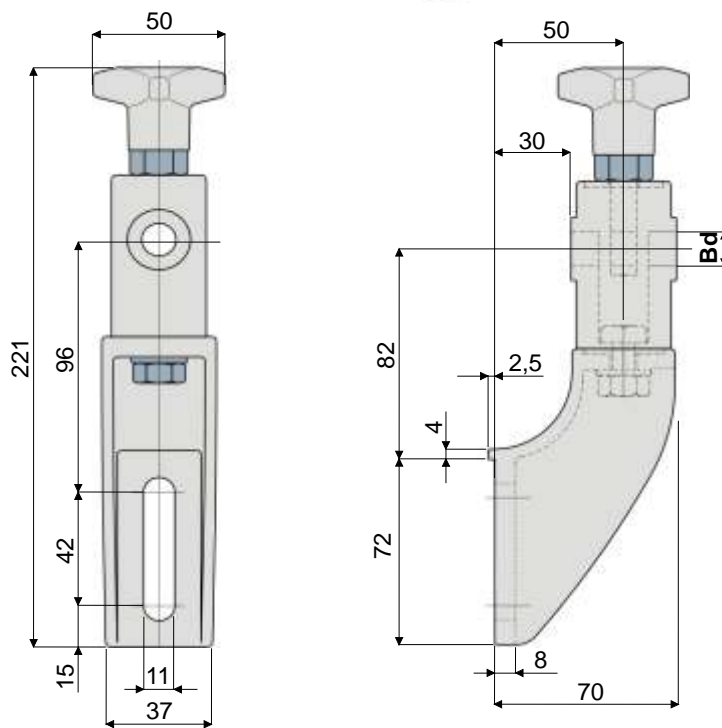
**Assembling of:** Bolts and nuts.

# Guide rail bracket

(with adjustable head)



Part. 279



Bd Bore for pin of (mm)	Code/Codice
12	279 / 82124
14	279 / 82125
16	279 / 82126

**MATERIALS:** Bracket, head and knob made of reinforced polyamide, eyebolt and hexagonal insert made of nickel plated brass, screw, nut and washer made of stainless steel AISI 304.

**FEATURES:** Max tightening torque 4 kgm.

**BOX QUANTITY:** 8 pieces.

**ON REQUEST: Brackets:** In reinforced polypropylene, other colours.

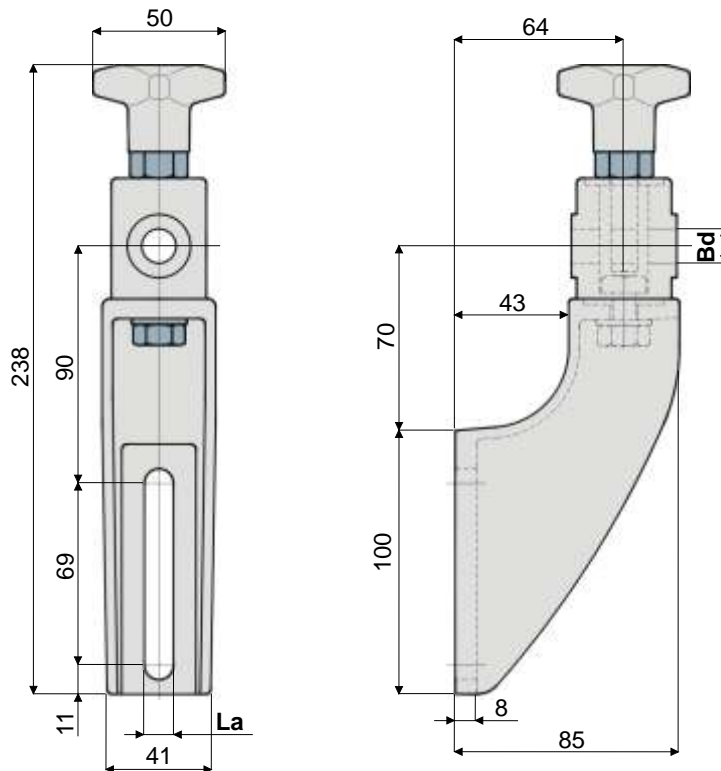
**Box Quantity:** According to your request.

**Assembling of:** Bolts and nuts.

# Guide rail bracket

(with adjustable head)

Part. 215



Bd Bore for pin of (mm)	La = 9 mm	La = 11 mm
	Code/Codice	Code/Codice
12	215 / 82106	215 / 80658
14	215 / 82108	215 / 80659
16	215 / 82110	215 / 80660

**MATERIALS:** Bracket, head and knob made of reinforced polyamide, eyebolt and hexagonal insert made of nickel plated brass, screw, nut and washer made of stainless steel AISI 304.

**FEATURES:** Max tightening torque 4 kgm.

**BOX QUANTITY:** 24 pieces.

**ON REQUEST: Brackets:** In reinforced polypropylene, other colours.

**Box Quantity:** According to your request.

**Assembling of:** Bolts and nuts.

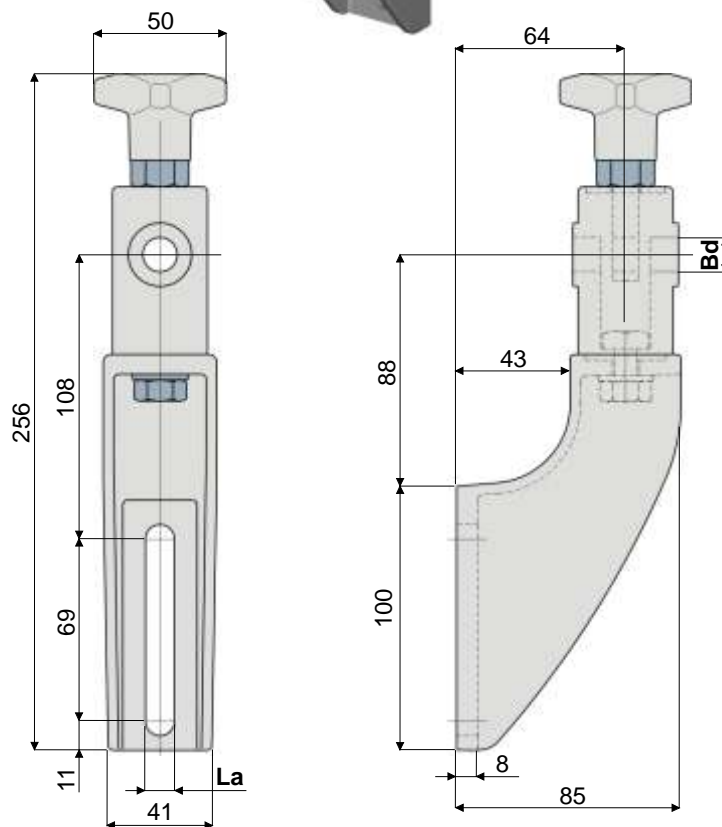


# Guide rail bracket

(with adjustable head)



Part. 280



Bd Bore for pin of (mm)	La = 9 mm	La = 11 mm
	Code/Codice	Code/Codice
12	280 / 82150	280 / 82127
14	280 / 82151	280 / 82128
16	280 / 82152	280 / 82129

**MATERIALS:** Bracket, head and knob made of reinforced polyamide, eyebolt and hexagonal insert made of nickel plated brass, screw, nut and washer made of stainless steel AISI 304.

**FEATURES:** Max tightening torque 4 kgm.

**BOX QUANTITY:** 24 pieces.

**ON REQUEST: Brackets:** In reinforced polypropylene, other colours.

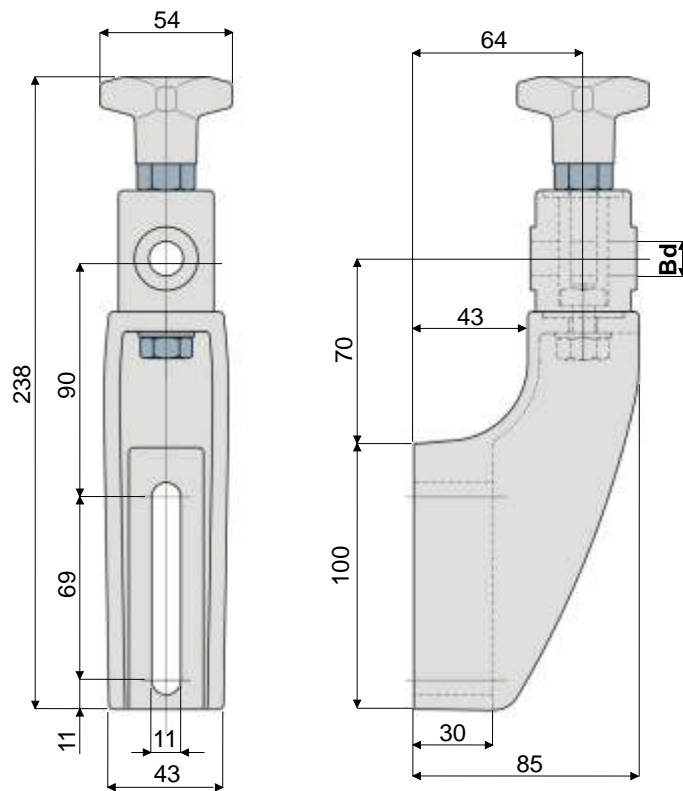
**Box Quantity:** According to your request.

**Assembling of:** Bolts and nuts.

# Guide rail bracket

(Reinforced type with adjustable head)

Part. 243



Bd Bore for pin of (mm)	Code/Codice
12	243 / 81003
14	243 / 81004
16	243 / 81005

**MATERIALS:** Bracket, head and knob made of reinforced polyamide, eyebolt and hexagonal insert made of nickel plated brass, screw, nut and washer made of stainless steel AISI 304.

**FEATURES:** To be used for heavy applications, suitable in conveyors with more ways, both in accumulation and curve. Max tightening torque 4 kgm.

**BOX QUANTITY:** 24 pieces.

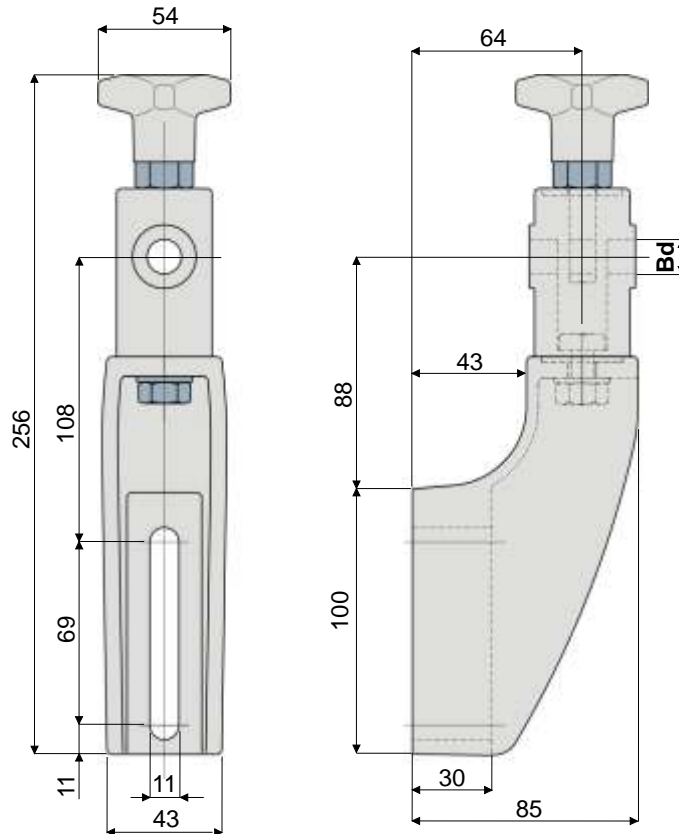
**ON REQUEST: Brackets:** In reinforced polypropylene, other colours.

**Box Quantity:** According to your request.

**Assembling of:** Bolts and nuts.

# Guide rail bracket

(Reinforced type with adjustable head)



Bd Bore for pin of (mm)	Code/Codice
12	281 / 82130
14	281 / 82131
16	281 / 82132

**MATERIALS:** Bracket, head and knob made out of reinforced polyamide, eyebolt and hexagonal insert made out of nickel plated brass, screw, nut and washer made out of stainless steel AISI 304.

**FEATURES:** To be used for heavy applications, suitable in conveyors with more ways, both in accumulation and curve. Max tightening torque 4 kgm.

**BOX QUANTITY:** 24 pieces.

**ON REQUEST: Brackets:** In reinforced polypropylene, other colours.

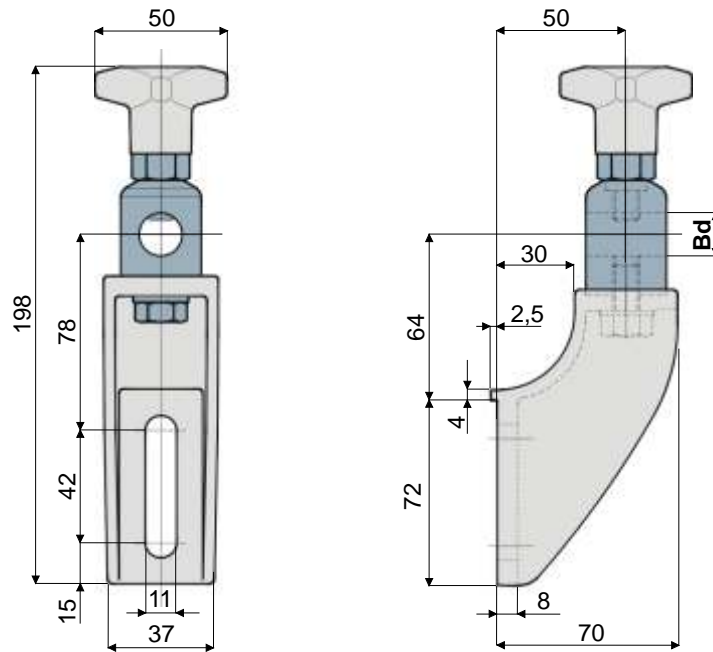
**Box Quantity:** According to your request.

**Assembling of:** Bolts and nuts.

# Guide rail bracket

(with metal adjustable head)

Part. 216



Bd Bore for pins of (mm)	Head made out of nickel plated brass Code/Codice	Head made out of stainless steel Code/Codice
14 - 16	216 / 80758	216 / 80759

**MATERIALS:** Bracket and knob made out of reinforced polyamide, head made out of stainless steel AISI 304 or nickel plated brass, hexagonal insert made out of nickel plated brass, screw and washer made out of stainless steel AISI 304.

**FEATURES:** Possibility to use pins with diameter 14 and 16 mm. Max tightening torque 4 kgm.

**BOX QUANTITY:** 24 pieces.

**ON REQUEST: Brackets:** In reinforced polypropylene, other colours.

**Box Quantity:** According to your request.

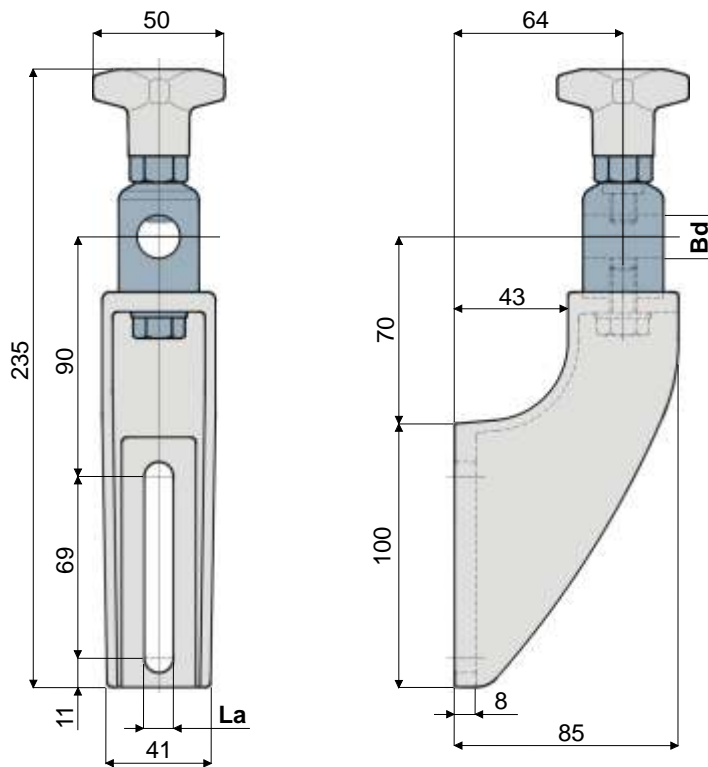
**Assembling of:** Bolts and nuts.

# Guide rail bracket

(with metal adjustable head)



Part. 218



La = 9 mm		
<b>Bd</b> Bore for pins of (mm)	Head made out of nickel plated brass <b>Code/Codice</b>	Head made out of stainless steel <b>Code/Codice</b>
<b>14 - 16</b>	<b>218 / 82112</b>	<b>218 / 82113</b>
La = 11 mm		
<b>Bd</b> Bore for pins of (mm)	Head made out of nickel plated brass <b>Code/Codice</b>	Head made out of stainless steel <b>Code/Codice</b>
<b>14 - 16</b>	<b>218 / 80662</b>	<b>218 / 80663</b>

**MATERIALS:** Bracket and knob made out of reinforced polyamide, head made out of stainless steel AISI 304 or nickel plated brass, hexagonal insert made out of nickel plated brass, screw and washer made out of stainless steel AISI 304.

**FEATURES:** Possibility to use pins with diameter 14 and 16 mm. Max tightening torque 4 kgm.

**BOX QUANTITY:** 24 pieces.

**ON REQUEST: Brackets:** In reinforced polypropylene, other colours.

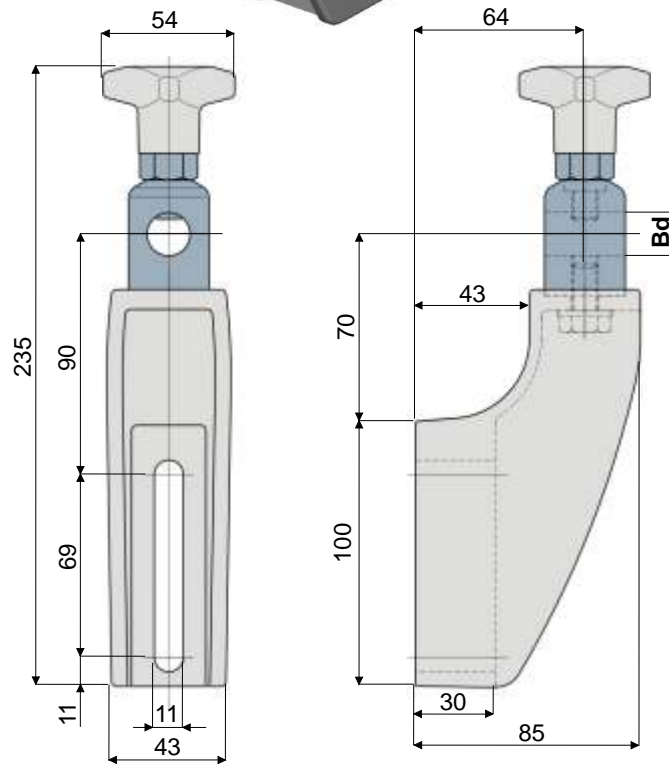
**Box Quantity:** According to your request.

**Assembling of:** Bolts and nuts.

# Guide rail bracket

(Reinforced type with metal adjustable head)

Part. 244



Bd	Head made out of nickel plated brass	Head made out of stainless steel
Bore for pins of	Code/Codice	Code/Codice
(mm)	244 / 81006	244 / 81007

**MATERIALS:** Bracket and knob made out of reinforced polyamide, head made out of stainless steel AISI 304 or nickel plated brass, hexagonal insert made out of nickel plated brass, screw and washer made out of stainless steel AISI 304.

**FEATURES:** To be used for heavy applications, suitable in conveyors with more ways, both in accumulation and curve. Possibility to use pins with diameter 14 and 16 mm. Max tightening torque 4 kgm.

**BOX QUANTITY:** 24 pieces.

**ON REQUEST: Brackets:** In reinforced polypropylene, other colours.

**Box Quantity:** According to your request.

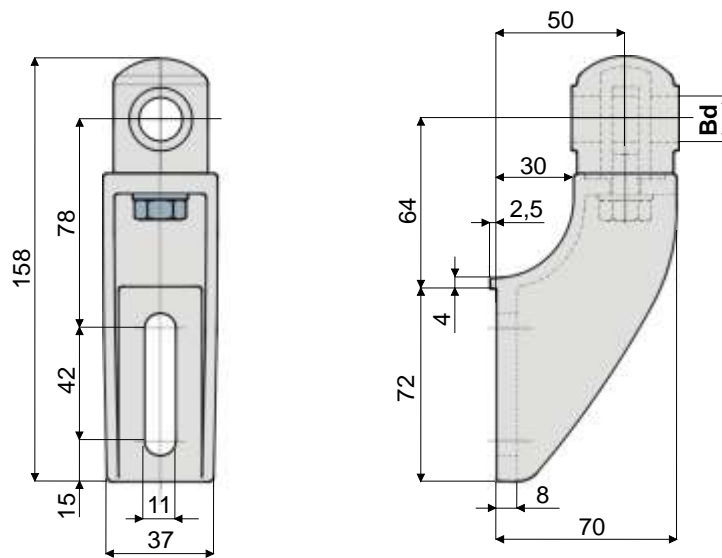
**Assembling of:** Bolts and nuts.

# Guide rail bracket

(with adjustable head)



Part. 217



Bd Bore for pin of (mm)	Code/Codice
12	217 / 80760
14	217 / 80761
16	217 / 80762

**MATERIALS:** Bracket and head made of reinforced polyamide, eyebolt made of nickel plated brass, nut and washer made of stainless steel AISI 304.

**FEATURES:** Max tightening torque 4 kgm.

**BOX QUANTITY:** 24 pieces.

**ON REQUEST: Brackets:** In reinforced polypropylene, other colours.

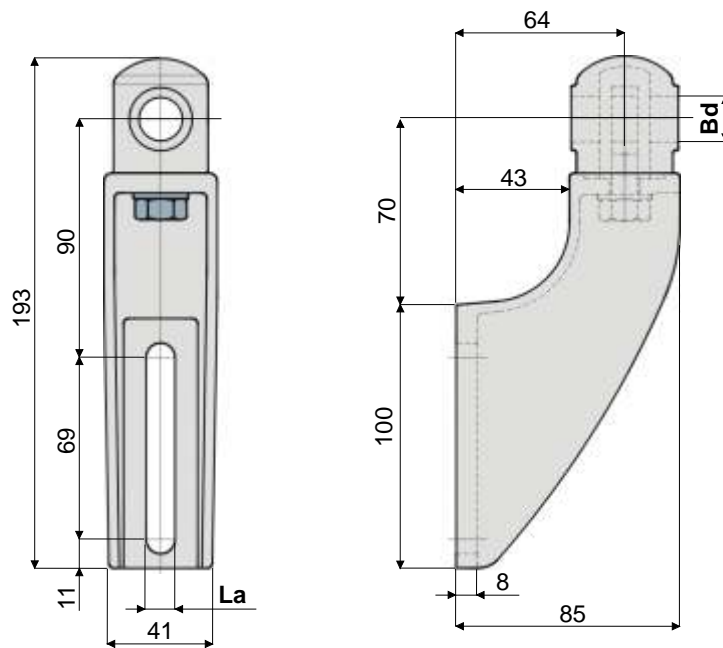
**Box Quantity:** According to your request.

**Assembling of:** Bolts and nuts.

# Guide rail bracket

(with adjustable head)

Part. 219



Bd Bore for pin of (mm)	La = 9 mm	La = 11 mm
	Code/Codice	Code/Codice
12	219 / 82114	219 / 80664
14	219 / 82115	219 / 80665
16	219 / 82116	219 / 80666

**MATERIALS:** Bracket and head made of reinforced polyamide, eyebolt made of nickel plated brass, nut and washer made of stainless steel AISI 304.

**FEATURES:** Max tightening torque 4 kgm.

**BOX QUANTITY:** 24 pieces.

**ON REQUEST: Brackets:** In reinforced polypropylene, other colours.

**Box Quantity:** According to your request.

**Assembling of:** Bolts and nuts.

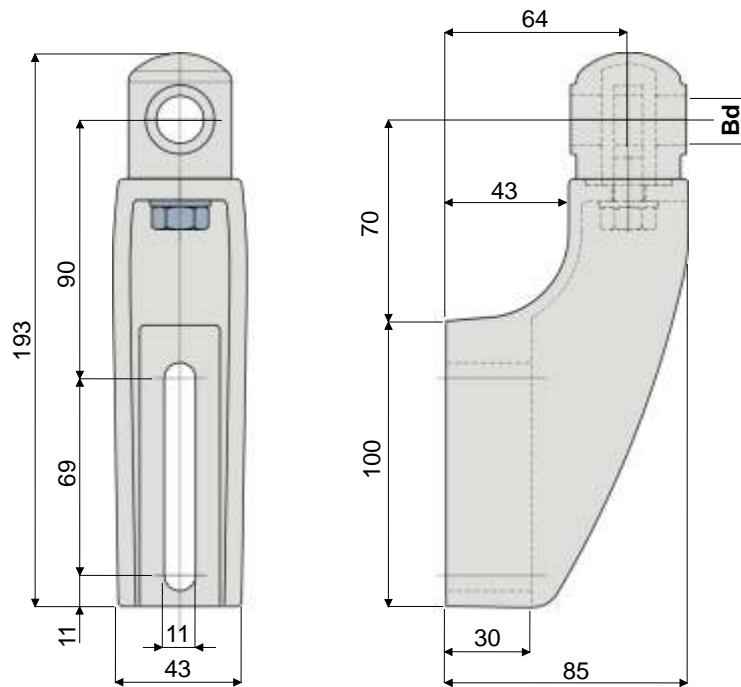


# Guide rail bracket

(Reinforced type with adjustable head)



Part. 255



Bd	Code/Codice
Bore for pin of (mm)	
12	255 / 81008
14	255 / 81009
16	255 / 81010

**MATERIALS:** Bracket and head made of reinforced polyamide, eyebolt made of nickel plated brass, nut and washer made of stainless steel AISI 304.

**FEATURES:** To be used for heavy applications, suitable in conveyors with more ways, both in accumulation and curve. Max tightening torque 4 kgm.

**BOX QUANTITY:** 24 pieces.

**ON REQUEST: Brackets:** In reinforced polypropylene, other colours.

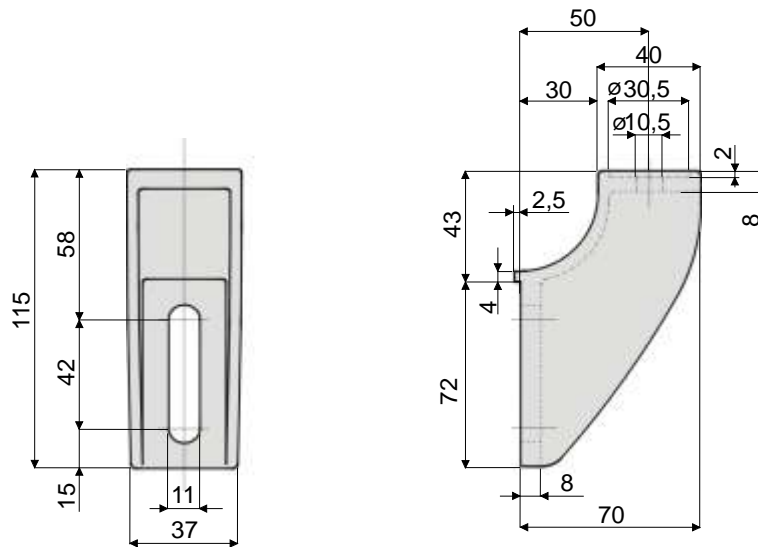
**Box Quantity:** According to your request.

**Assembling of:** Bolts and nuts.

# Guide rail bracket

(for adjustable head)

Part. 209



Code/Codice
209 / 80754

**MATERIAL:** Bracket made out of reinforced polyamide.

**FEATURES:** To be used with heads Part.221, 222 and 223.

**BOX QUANTITY:** 24 pieces.

**ON REQUEST: Brackets:** In reinforced polypropylene, other colours.

**Box Quantity:** According to your request.

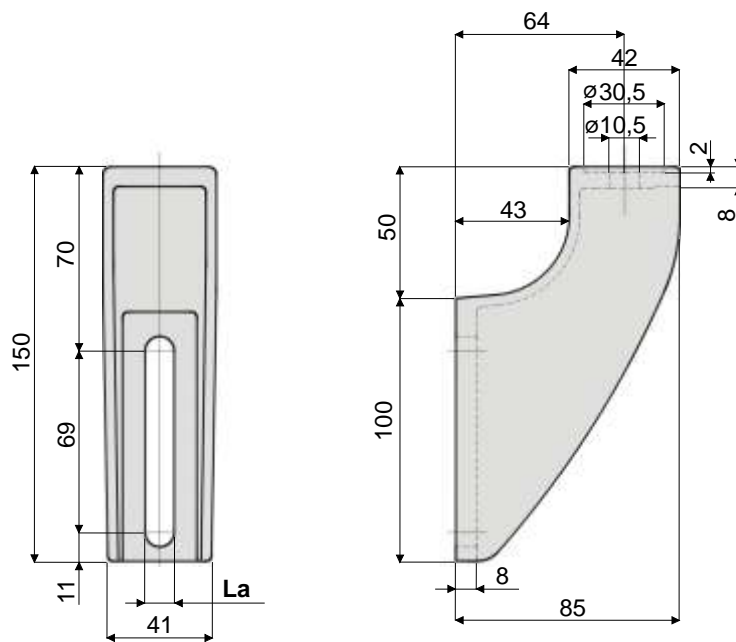
**Assembling of:** Bolts and nuts.

# Guide rail bracket

(for adjustable head)



Part. 220



La = 9 mm	La = 11 mm
Code/Codice	Code/Codice
220 / 82111	220 / 80667

**MATERIAL:** Bracket made of reinforced polyamide.

**FEATURES:** To be used with heads Part.221, 222 and 223.

**BOX QUANTITY:** 24 pieces.

**ON REQUEST: Brackets:** In reinforced polypropylene, other colours.

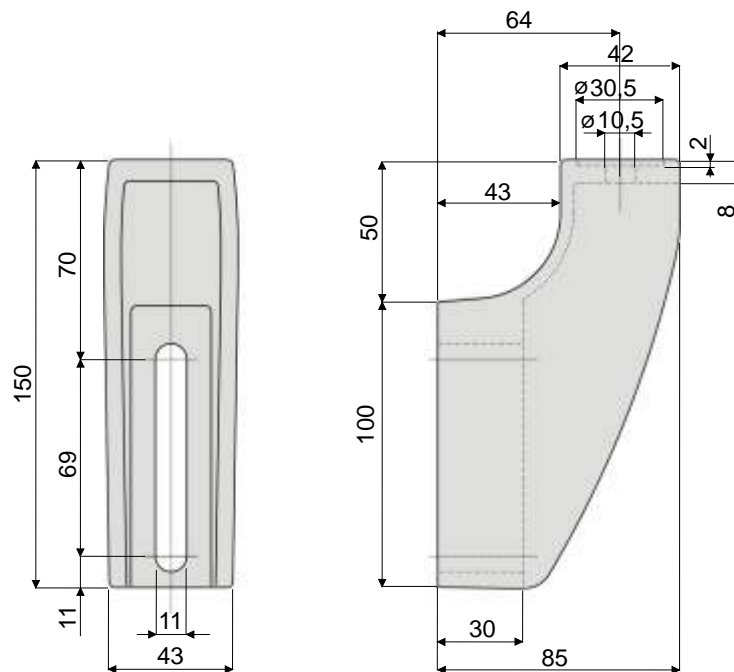
**Box Quantity:** According to your request.

**Assembling of:** Bolts and nuts.

# Guide rail bracket

(Reinforced type for adjustable head)

Part. 242



Code/Codice
242 / 81002

**MATERIAL:** Bracket made of reinforced polyamide.

**FEATURES:** To be used with heads Part.221, 222 and 223 for heavy applications, suitable in conveyors with more ways, both in accumulation and curve.

**BOX QUANTITY:** 24 pieces.

**ON REQUEST: Brackets:** In reinforced polypropylene, other colours.

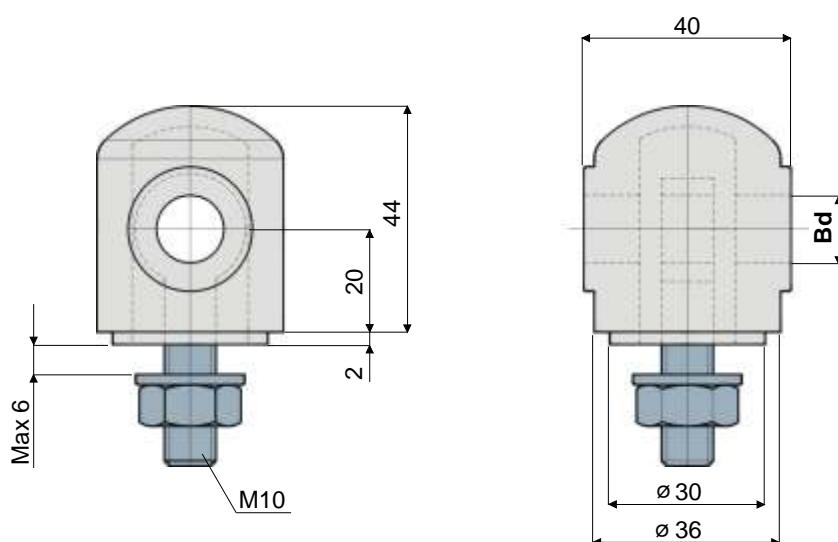
**Box Quantity:** According to your request.

**Assembling of:** Bolts and nuts.

# Head for bracket



Part. 222



Bd Bore for pin of (mm)	Code/Codice
12	222 / 80671
14	222 / 80672
16	222 / 80673

**MATERIALS:** Head made of reinforced polyamide, eyebolt made of nickel plated brass, nut and washer made of stainless steel AISI 304.

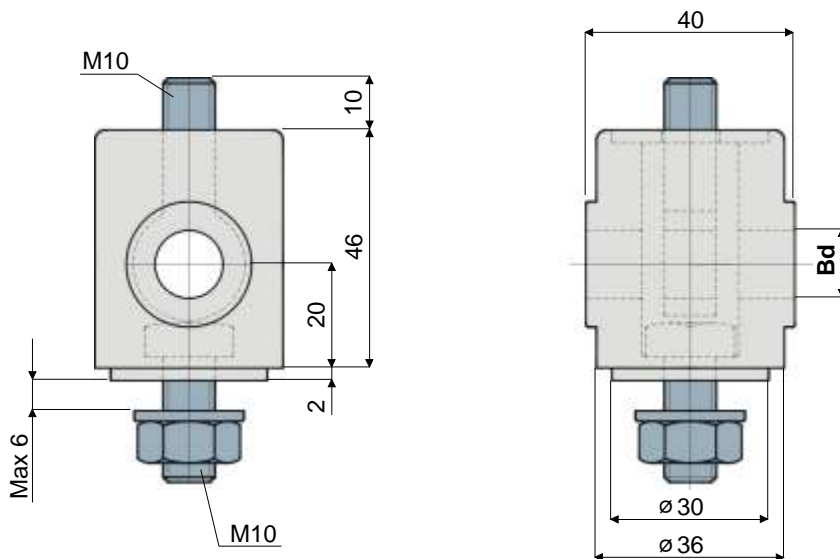
**FEATURES:** To be used with bracket Part.209, 220 and 242. Max tightening torque 4 Kgm.

**BOX QUANTITY:** 24 pieces.

**ON REQUEST: Heads:** In reinforced polypropylene, other colours.

**Box Quantity:** According to your request.

**Assembling of:** Bolts and nuts.



Bd Bore for pin of (mm)	Code/Codice
12	221 / 80668
14	221 / 80669
16	221 / 80670

**MATERIALS:** Head made of reinforced polyamide, eyebolt made of nickel plated brass, screw, nut and washers made of stainless steel AISI 304.

**FEATURES:** To be used with bracket Part.209, 220 and 242. Max tightening torque 4 Kgm.

**BOX QUANTITY:** 24 pieces.

**ON REQUEST: Heads:** In reinforced polypropylene, other colours.

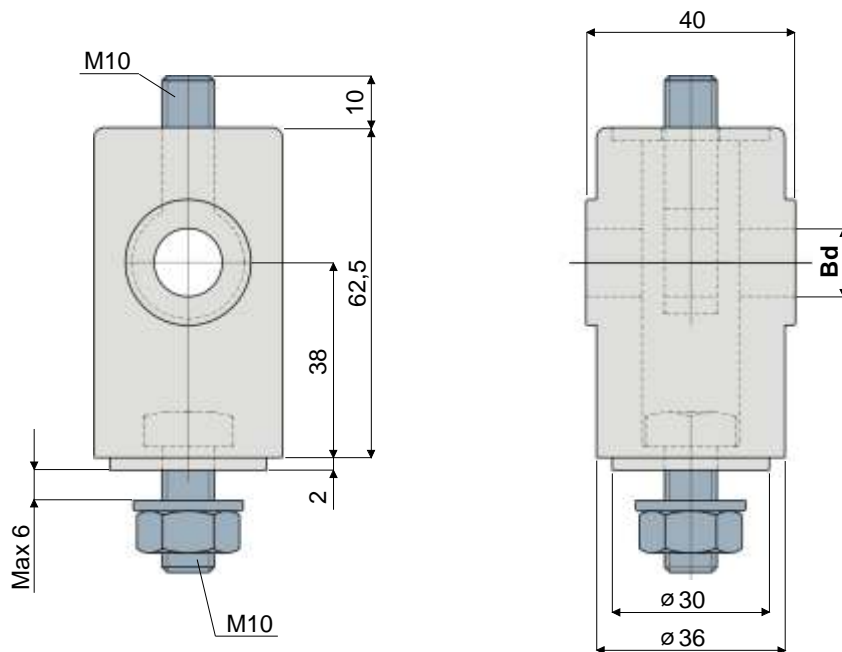
**Box Quantity:** According to your request.

**Assembling of:** Bolts and nuts.

# Head for bracket (High type)



Part. 266



Bd Bore for pin of (mm)	Code/Codice
12	266 / 82035
14	266 / 82036
16	266 / 82037

**MATERIALS:** Head made of reinforced polyamide, eyebolt made of nickel plated stainless steel, nuts and washer made of stainless steel AISI 304

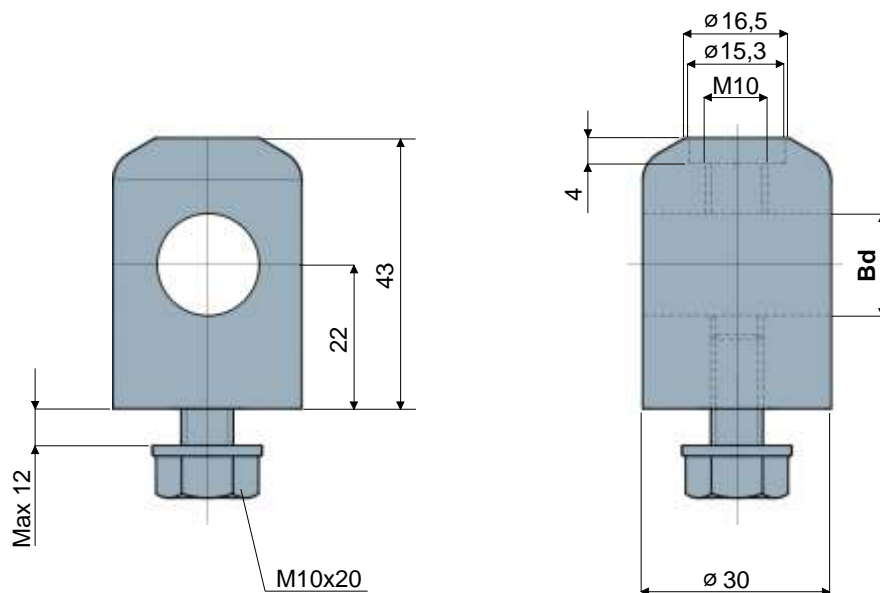
**FEATURES:** To be used with bracket Part.209 ; 220 e 242. Max tightening torque 4 Kgm.

**BOX QUANTITY:** 24 pieces.

**ON REQUEST:** Heads: made of reinforced polypropylene, other colours.  
Box quantity: According to your request.

# Head for bracket (metal)

Part. 223



Bd Bore for pins of (mm)	Head made out of nickel plated brass	Head made out of stainless steel
14 - 16	Code/Codice	Code/Codice
	223 / 80674	223 / 80675

**MATERIALS:** Head made out of stainless steel AISI 304 or nickel plated brass, screw and washer made out of stainless steel AISI 304.

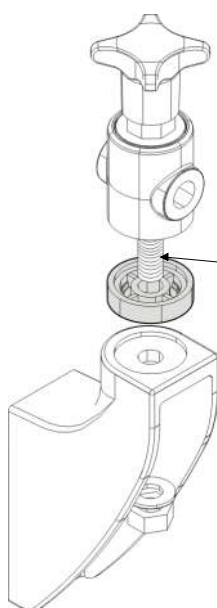
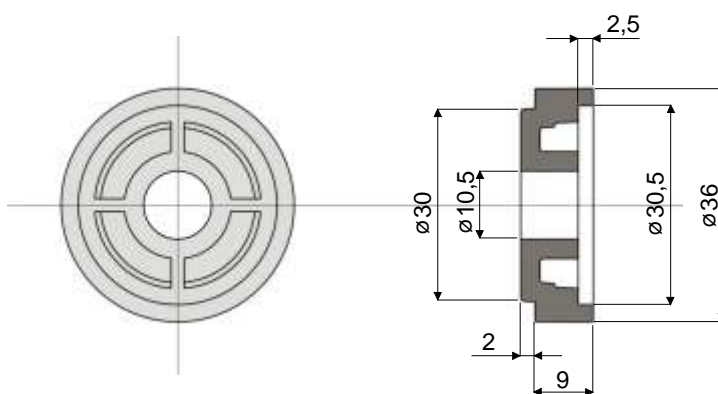
**FEATURES:** Possibility to use pins with diameter 14 and 16 mm. To be used with Part. 209, 220 and 242. Max tightening torque 4 kgm.

**BOX QUANTITY:** 24 pieces.

**ON REQUEST: Box Quantity:** According to your request.



# Spacer for heads



### Example of application

To use the spacer, it is necessary to change the standard screw with a longer one.

<b>Code/Codice</b>
<b>256 / 81011</b>

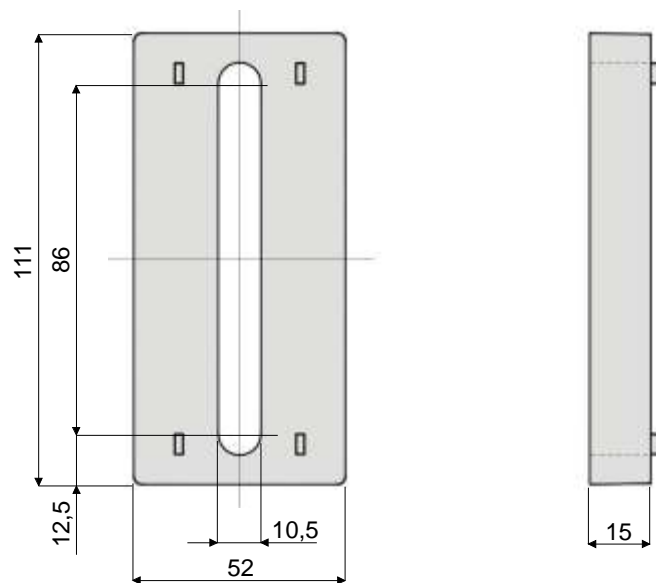
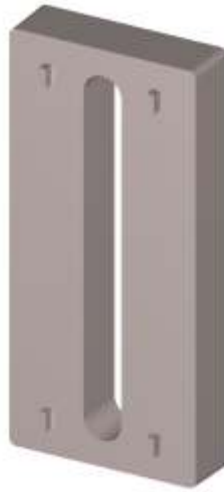
**MATERIAL:** Reinforced polyamide.

**FEATURES:** Accessory to be used on bracket Part.214, 215, 216, 218, 243, 244, 279, 280 and 281 to increase heads height.

**BOX QUANTITY:** 24 pieces.

**ON REQUEST: Spacers:** In reinforced polypropylene, other colours.  
**Box Quantity:** According to your request.

Part. 224



Code/Codice
224 / 80676

**MATERIAL:** Reinforced polyamide.

**FEATURES:** Accessory to be used with bracket Part.215, 218, 219, 220, 280, 243, 281, 244, 255 and 242.

**BOX QUANTITY:** 24 pieces.

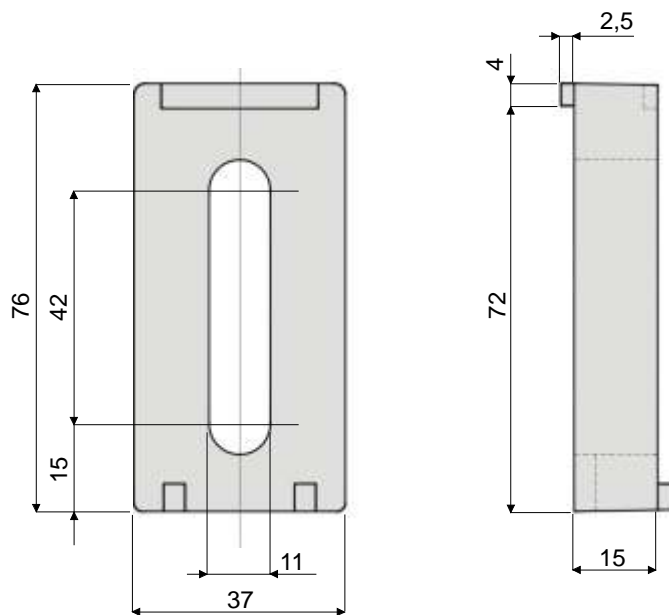
**ON REQUEST: Spacers:** In reinforced polypropylene, other colours.

**Box Quantity:** According to your request.

# Spacer for bracket



Part. 225



<b>Code/Codice</b>
<b>225 / 80677</b>

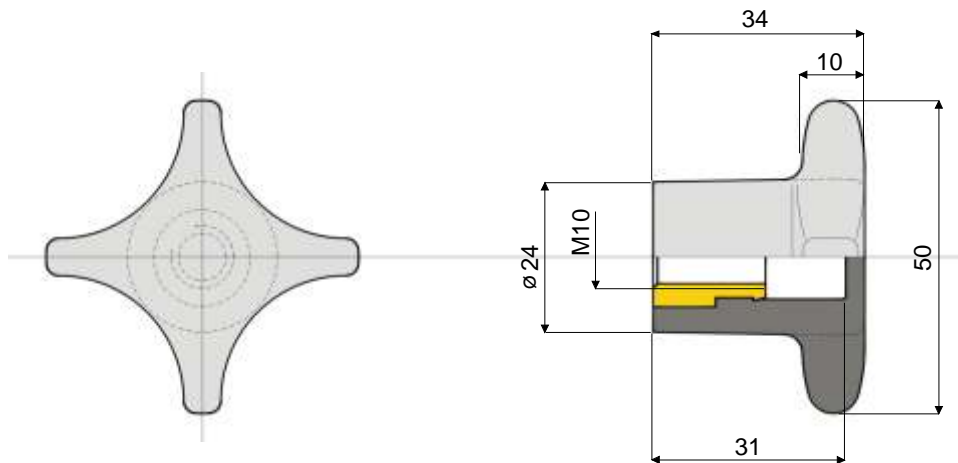
**MATERIAL:** Reinforced polyamide.

**FEATURES:** Accessory to be used with bracket Part.213, 214, 216, 217, 209 and 279.

**BOX QUANTITY:** 24 pieces.

**ON REQUEST: Spacers:** In reinforced polypropylene, other colours.  
**Box Quantity:** According to your request.

Part. 226



<b>Code/Codice</b>
<b>226 / 80678</b>

**MATERIALS:** Knob made of reinforced polyamide, threaded bushing made of brass.

**FEATURES:** Accessory to be used with head Part.221 and 266.

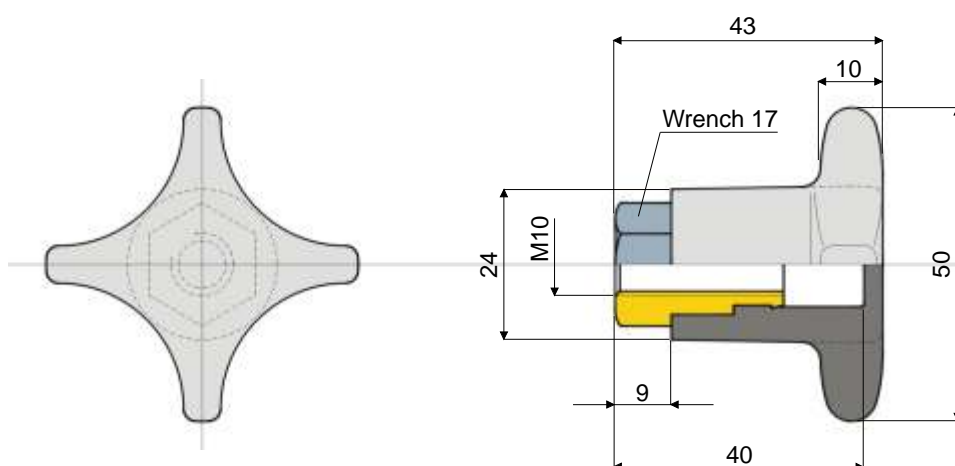
**BOX QUANTITY:** 24 pieces.

**ON REQUEST: Knobs:** In reinforced polypropylene, other colours.  
**Box Quantity:** According to your request.

# Knob for bracket



Part. 227



<b>Code/Codice</b>
<b>227 / 80679</b>

**MATERIALS:** Knob made of reinforced polyamide, threaded bushing made of nickel plated brass.

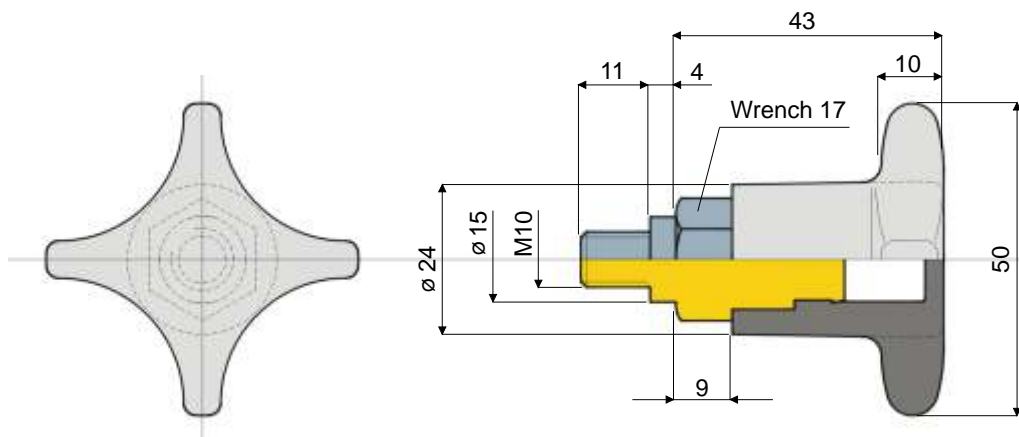
**FEATURES:** Accessory to be used with head Part.221 and 266.

**BOX QUANTITY:** 24 pieces.

**ON REQUEST: Knobs:** In reinforced polypropylene, other colours.

**Box Quantity:** According to your request.

Part. 228



Code/Codice
228 / 80680

**MATERIALS:** Knob made of reinforced polyamide, threaded bushing made of nickel plated brass.

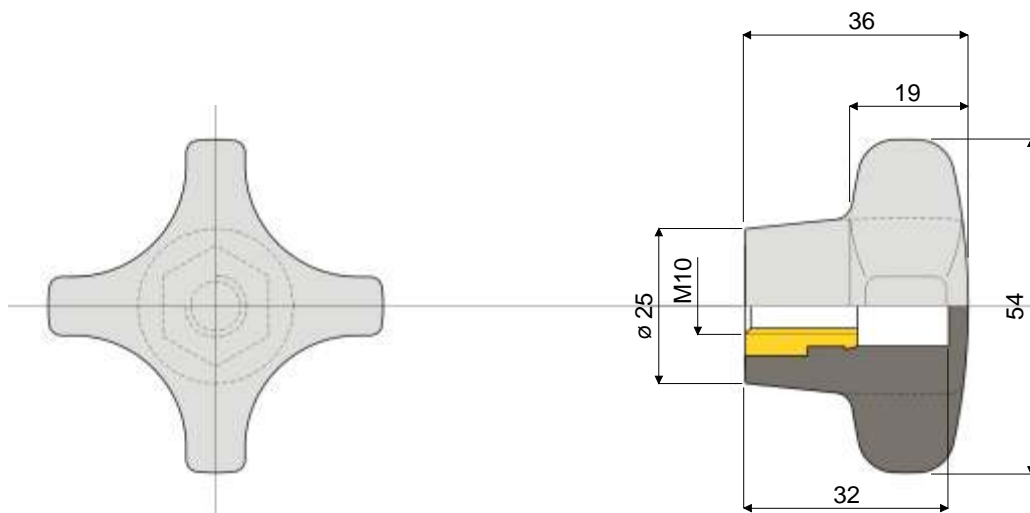
**FEATURES:** Accessory to be used with head Part.223.

**BOX QUANTITY:** 24 pieces.

**ON REQUEST: Knobs:** In reinforced polypropylene, other colours.  
**Box Quantity:** According to your request.

# Knob for bracket (reinforced type)

Part. 246



<b>Code/Codice</b>
<b>246 / 81135</b>

**MATERIALS:** Knob is made of reinforced polyamide, threaded bushing is made of brass.

**FEATURES:** Accessory to be applied to our heads part.221 and Part.266

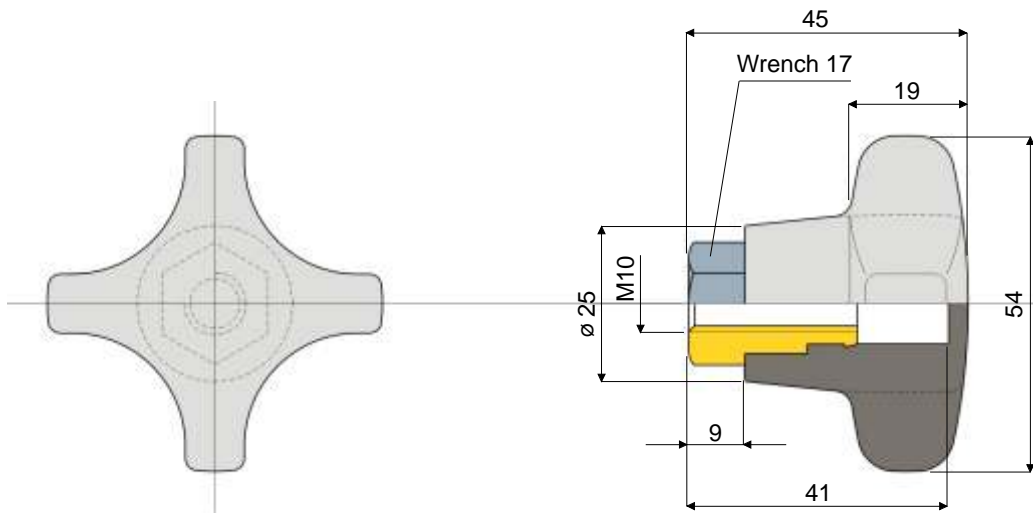
**BOX QUANTITY:** 24 pieces.

**ON REQUEST: Knob:** In reinforced polypropylene, other colours.  
**Box Quantity:** According to your request.

# Knob for bracket

(reinforced type)

Part. 247



Code/Codice
247 / 81137

**MATERIALS:** Knob is made of reinforced polyamide, threaded bushing is made of nickel plated brass.

**FEATURES:** Accessory to be applied to our heads part.221 and Part.266

**BOX QUANTITY:** 24 pieces.

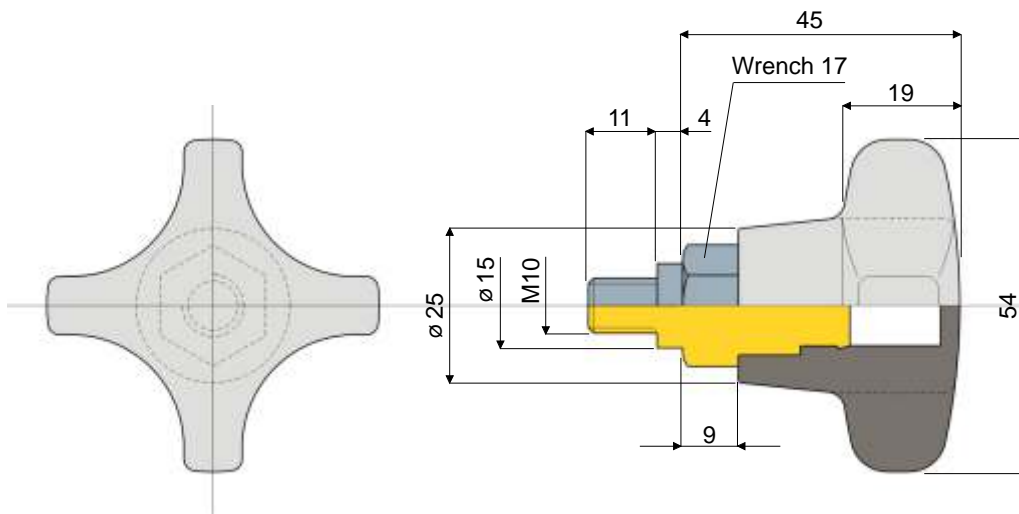
**ON REQUEST: Knob:** In reinforced polypropylene, other colours.  
**Box Quantity:** According to your request.



# Knob for bracket (reinforced type)



Part. 248



<b>Code/Codice</b>
<b>248 / 81139</b>

**MATERIALS:** Knob is made of reinforced polyamide, threaded bushing is made of nickel plated brass.

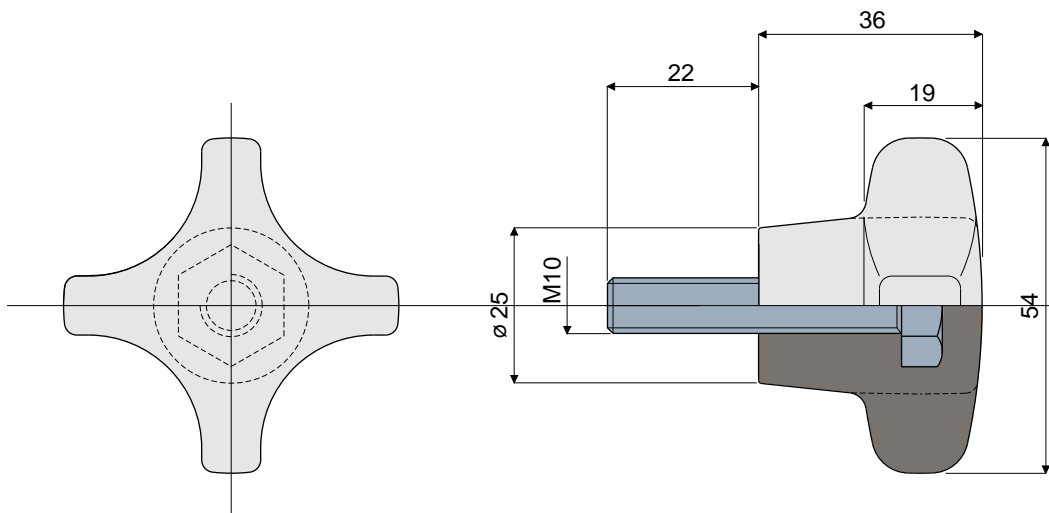
**FEATURES:** Accessory to be applied to our head part.223

**BOX QUANTITY:** 24 pieces.

**ON REQUEST: Knob:** In reinforced polypropylene, other colours.  
**Box Quantity:** According to your request.

# Knob for bracket (reinforced type)

Part. 294



Code/Codice
294 / 82588

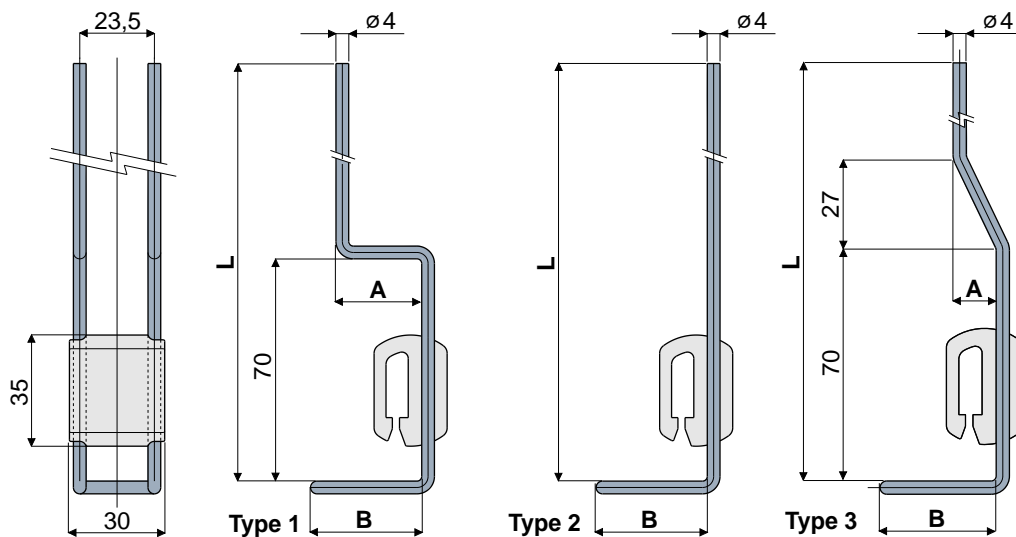
**MATERIALS:** Knob is made of reinforced polyamide, bolt is made of stainless steel

**FEATURES:** Accessory to be applied to our head part.223

**BOX QUANTITY:** 24 pieces.

**ON REQUEST:** Knob: made of reinforced polypropylene, in other colours.  
Box quantity: According to your request.

# Drip tray support



L	B	A	Type 1
(mm)			Code/Codice
180	35	27	236 / 80779
180	35	17	236 / 81012

L	B	Type 2
(mm)		Code/Codice
200	35	236 / 80780
246	35	236 / 81013

L	B	A	Type 3
(mm)			Code/Codice
250	35	13	236 / 82640

**MATERIALS:** Support elements made of stainless steel AISI 304, body of coupling made of reinforced polyamide.

**FEATURES:** To be used to support drip trays

**BOX QUANTITY:** 24 pieces.

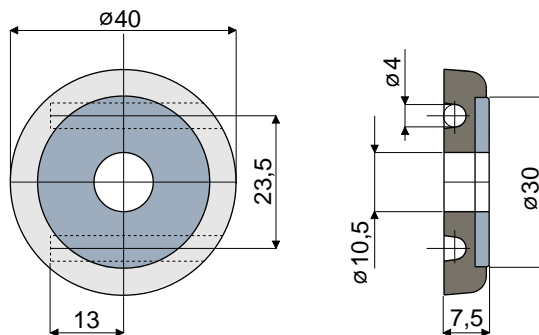
**ON REQUEST:** Drip tray support: Supplied in different shapes and sizes.

Box quantity: According to your request

# Mounting plate

(for drip tray support)

Part. 235



Code/Codice
235 / 80778

**MATERIALS:** Plate made of reinforced polyamide, washer made of stainless steel AISI 304.

**FEATURES:** For application on conveyor side to fasten drip tray support.

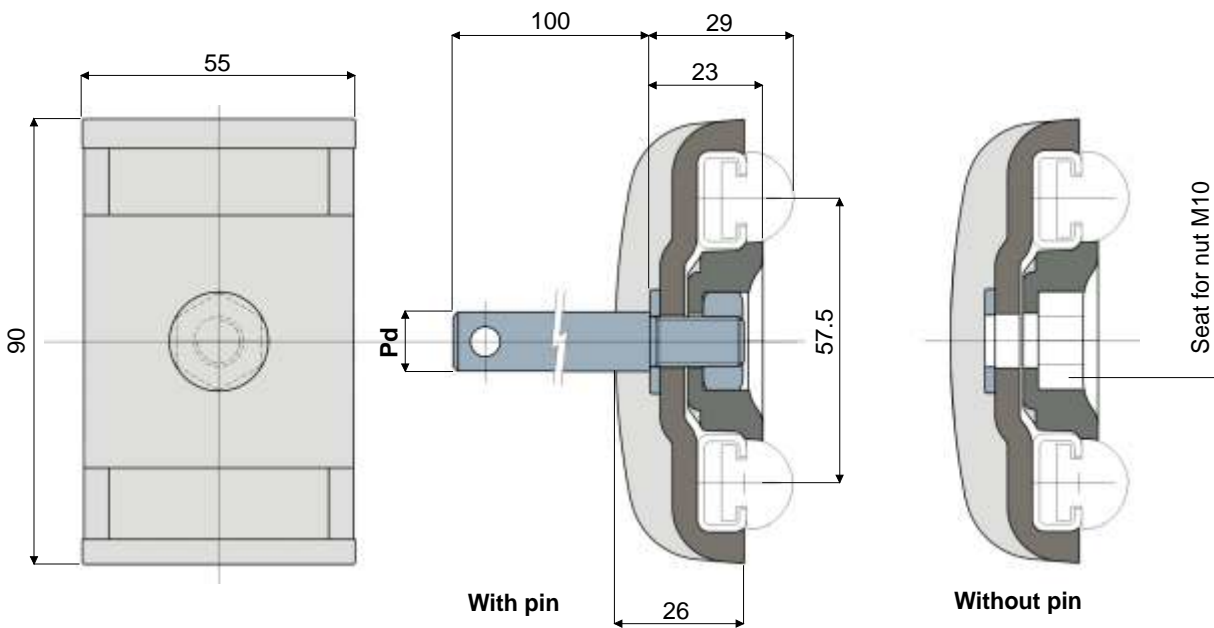
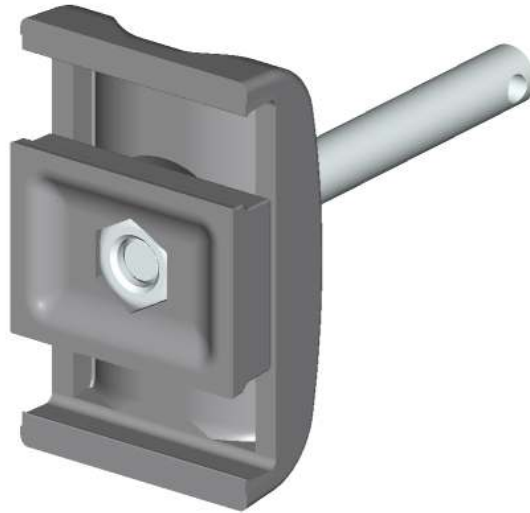
**BOX QUANTITY:** 24 pieces.

**ON REQUEST:** Mounting Plate: Supplied in different shapes and sizes.  
Box quantity: According to your request

# Guide rail clamp

(for rectangular rails)

Part. 289



Pd Pin diameter (mm)	With pin Code/Codice	Without pin Code/Codice
12	289 / 82569	289 / 82572
14	289 / 82570	
16	289 / 82571	

**MATERIALS:** Clamp made of reinforced polyamide, pin, nut and washer made of stainless steel

**FEATURES:** Supplied with or without support pin.

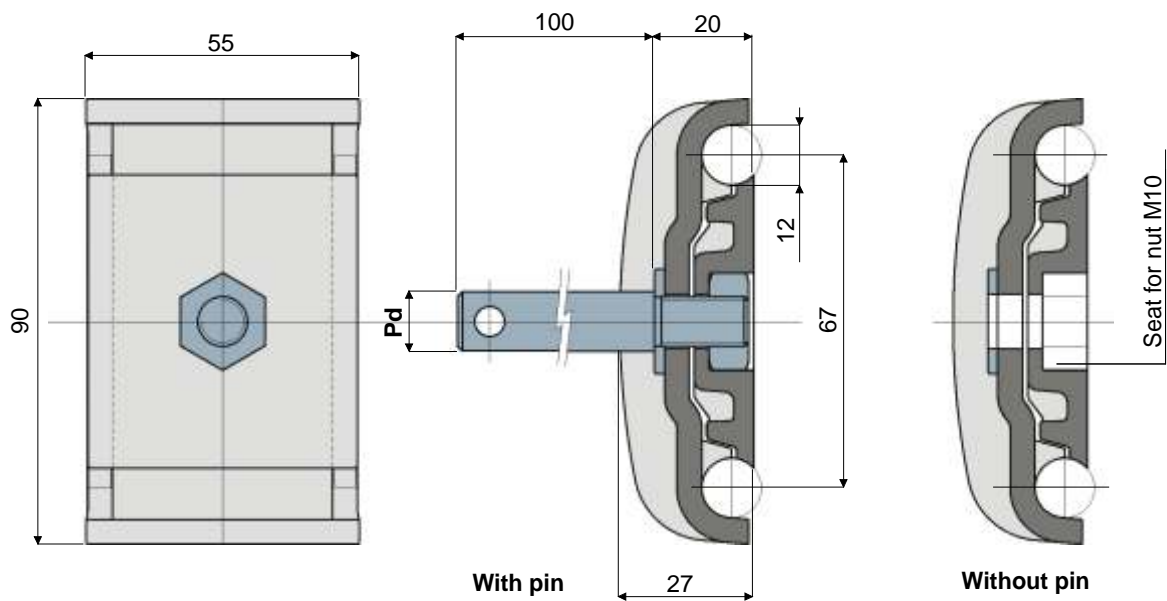
**BOX QUANTITY:** 24 pieces.

**ON REQUEST: Clamps:** In reinforced polypropylene, other colours. **Box Quantity:** According to your request.

# Guide rail clamp

(for round rails)

Part. 229



Pd Pin diameter (mm)	With pin	Without pin
	Code/Codice	Code/Codice
12	229 / 80681	229 / 80609
14	229 / 80682	
16	229 / 80683	

**MATERIALS:** Clamp made of reinforced polyamide, pin, nut and washer made of stainless steel AISI 304.

**FEATURES:** Supplied with or without support pin.

**BOX QUANTITY:** 24 pieces.

**ON REQUEST: Clamps:** In reinforced polypropylene, other colours.

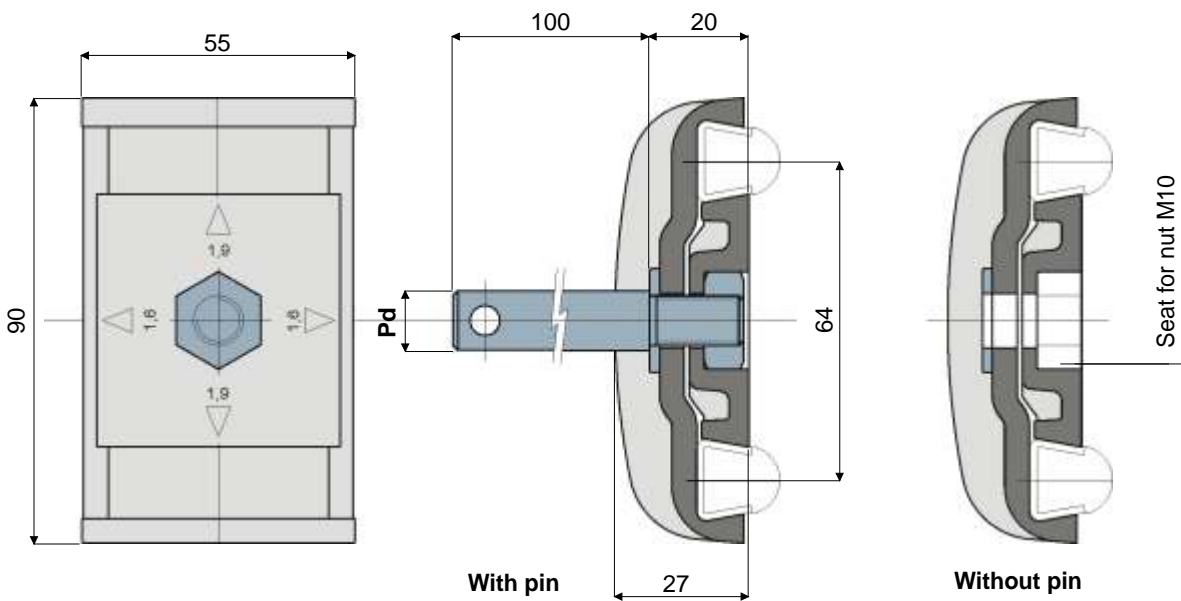
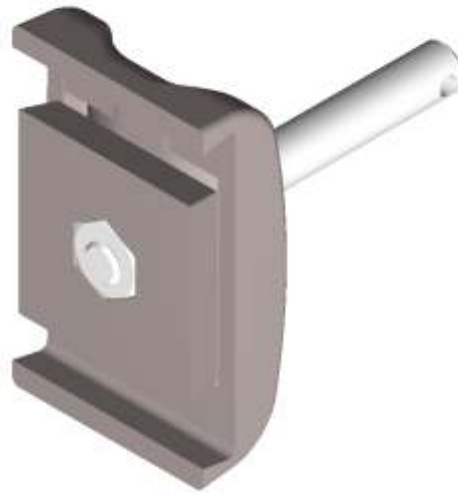
**Box Quantity:** According to your request.

# Guide rail clamp

(for trapezoidal rails)



Part. 230



Pd Pin diameter (mm)	With pin	Without pin
	Code/Codice	Code/Codice
12	230 / 80684	230 / 80611
14	230 / 80685	
16	230 / 80686	

**MATERIALS:** Clamp made of reinforced polyamide, pin, nut and washer made of stainless steel AISI 304.

**FEATURES:** Supplied with or without support pin. This part can be used with rails with thickness of 1,5 and 2 mm, by rotating for 90° the central plate.

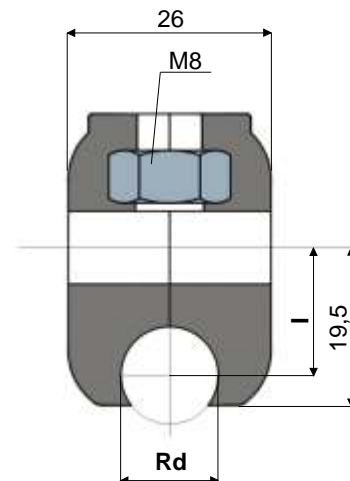
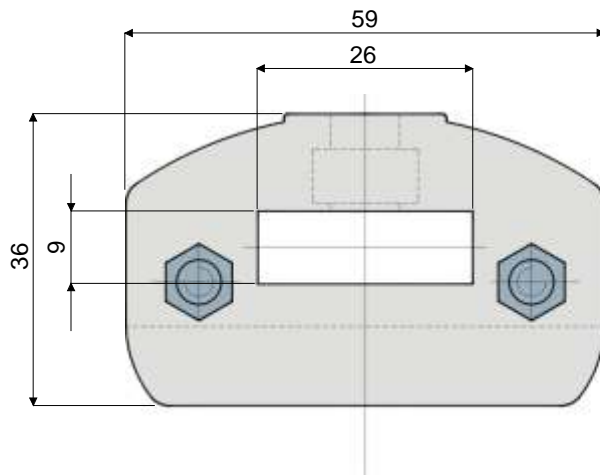
**BOX QUANTITY:** 24 pieces.

**ON REQUEST: Clamps:** In reinforced polypropylene, other colours.  
**Box Quantity:** According to your request.

# Guide rail clamp

(for round rail)

Part. 231



Rd Rail diameter (mm)	l	Code/Codice
8	16	231 / 80749
10	15	231 / 80788
12	15	231 / 80687
14	15	231 / 80787

**MATERIALS:** Clamp made of reinforced polyamide, screws made of stainless steel AISI 304, nuts made of nickel plated brass.

**FEATURES:** To be used with flat support with sizes 25x8

**BOX QUANTITY:** 24 pieces.

**ON REQUEST: Clamps:** In reinforced polypropylene, other colours.  
**Box Quantity:** According to your request.

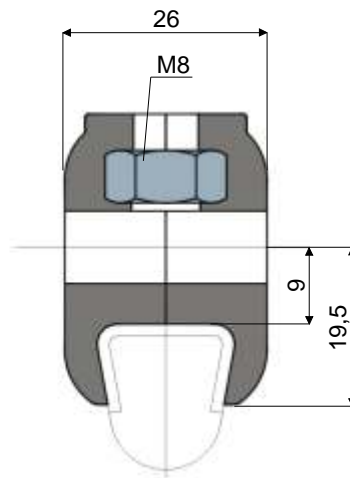
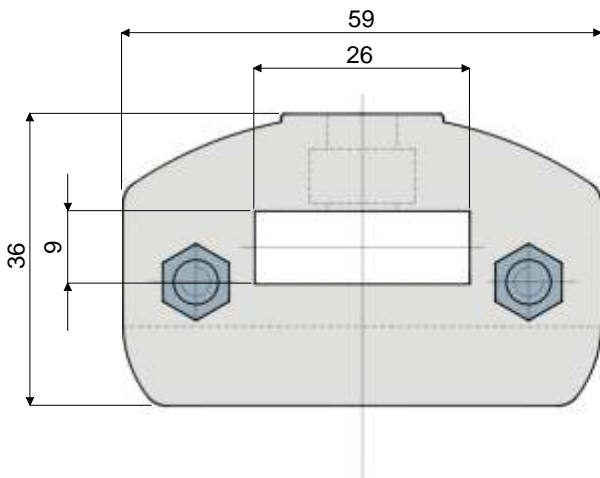


# Guide rail clamp

(for trapezoidal rail)



Part. 232



<b>Code/Codice</b>
<b>232 / 80688</b>

**MATERIALS:** Clamp made of reinforced polyamide, screws made of stainless steel AISI 304, nuts made of nickel plated brass.

**FEATURES:** To be used with flat support with sizes 25x8. This part can be used with rails with thickness of 1,5 and 2 mm.

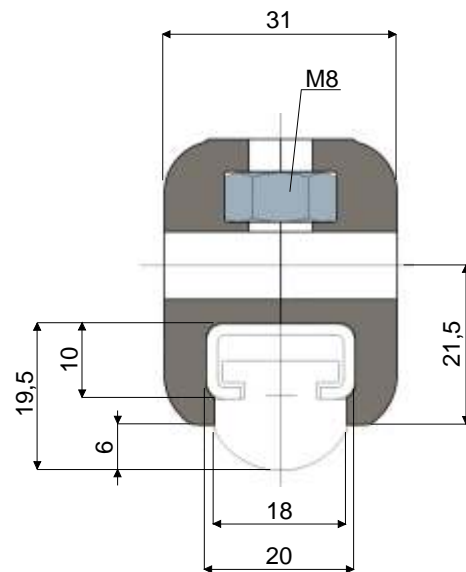
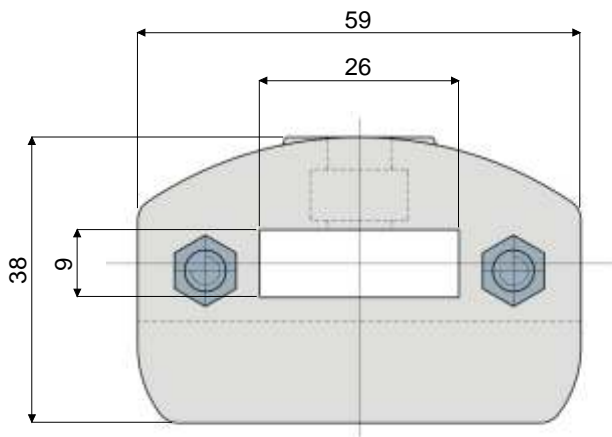
**BOX QUANTITY:** 24 pieces.

**ON REQUEST: Clamps:** In reinforced polypropylene, other colours.  
**Box Quantity:** According to your request.

# Guide rail clamp

(for rectangular rail)

Part. 291



Code/Codice
291 / 82578

**MATERIALS:** Clamp made of reinforced polyamide, screws and nuts made of stainless steel

**FEATURES:** Supplied assembled. To be used with flat profile with sizes 25x8.

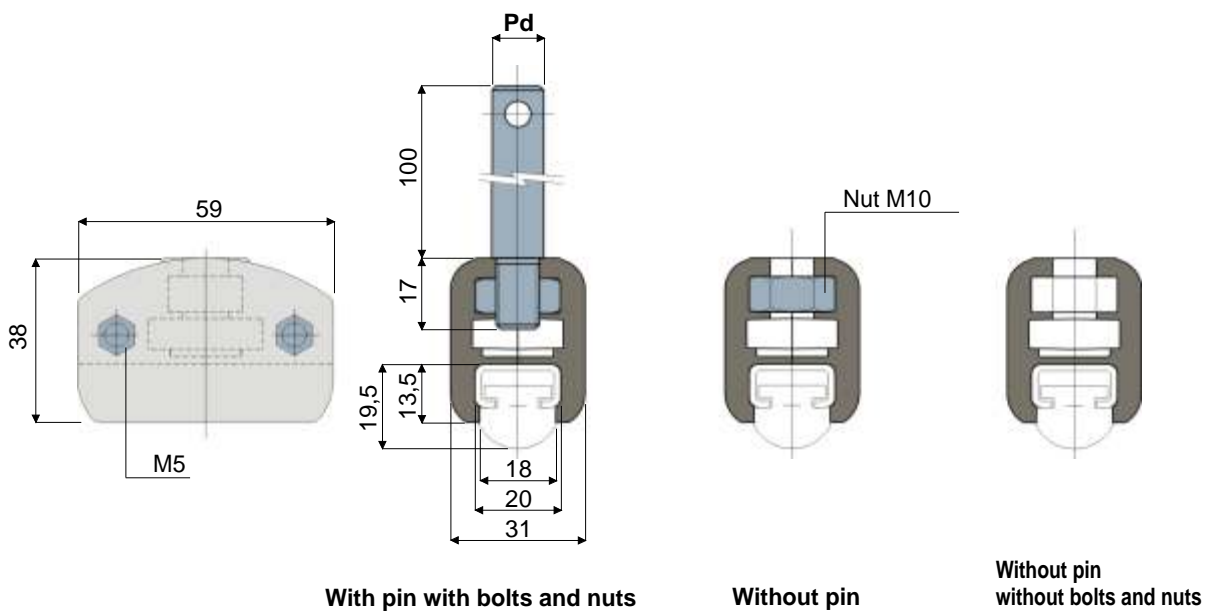
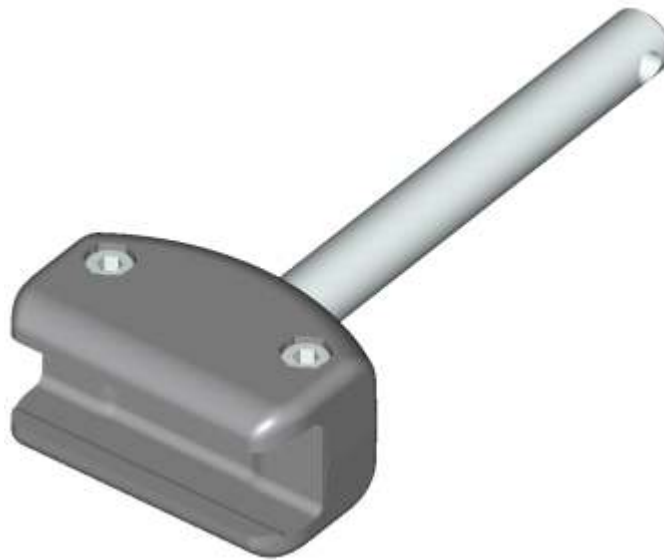
**BOX QUANTITY:** 24 pieces.

**ON REQUEST: Clamps:** In reinforced polypropylene, other colours. **Box Quantity:** According to your request.

# Guide rail clamp

(for rectangular rail)

Part. 290



Pd Pin diameter (mm)	With pin with bolts and nuts Code/Codice	Without pin Code/Codice	Without pin without bolts and nuts Code/Codice
12	290 / 82573	290 / 82576	290 / 82577
14	290 / 82574		
16	290 / 82575		

**MATERIALS:** Clamp made of reinforced polyamide, pin, screws and nuts made of stainless steel

**FEATURES:** Supplied assembled and with or without pin

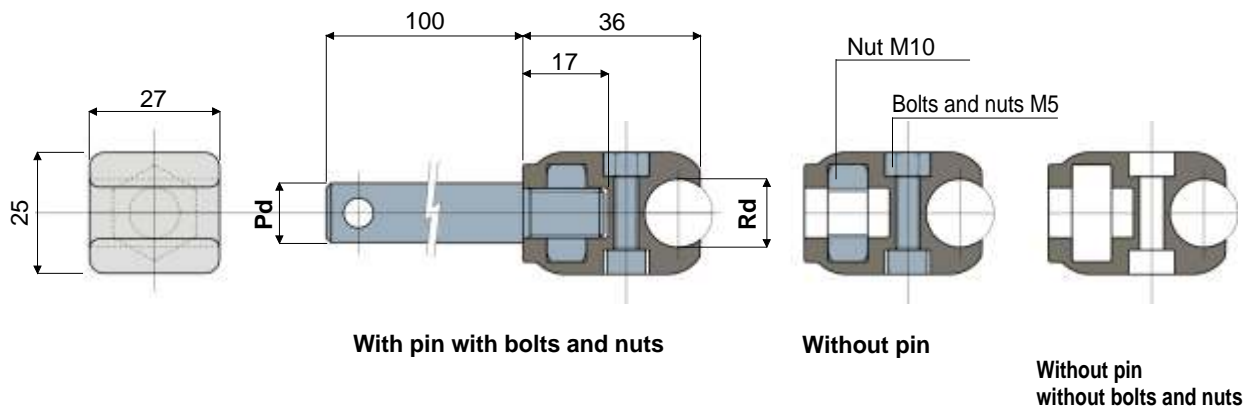
**BOX QUANTITY:** 24 pieces.

**ON REQUEST: Clamps:** In reinforced polypropylene, other colours. **Box Quantity:** According to your request.

# Guide rail clamp

(for round rail)

Part. 204



Pd Pin diameter (mm)	Rd Rail diameter (mm)	With pin with bolts and nuts <b>Code/Codice</b>
12	8	204 / 80798
	10	204 / 80799
	12	204 / 80800
	14	204 / 80801
14	8	204 / 80802
	10	204 / 80803
	12	204 / 80804
	14	204 / 80805
16	8	204 / 80806
	10	204 / 80807
	12	204 / 80808
	14	204 / 80809

Rd Rail diameter (mm)	Without pin <b>Code/Codice</b>
8	204 / 80810
10	204 / 80811
12	204 / 80812
14	204 / 80813

Rd Rail diameter (mm)	Without pin without bolts and nuts <b>Code/Codice</b>
8	204 / 80978
10	204 / 80979
12	204 / 80980
14	204 / 80981

**MATERIALS:** Clamp made of reinforced polyamide, pin, bolts and nuts made of stainless steel AISI 304.

**FEATURES:** Supplied with or without support pin and with or without bolts and nuts.

**BOX QUANTITY:** 24 pieces.

**ON REQUEST: Clamp:** In reinforced polypropylene, other colours.

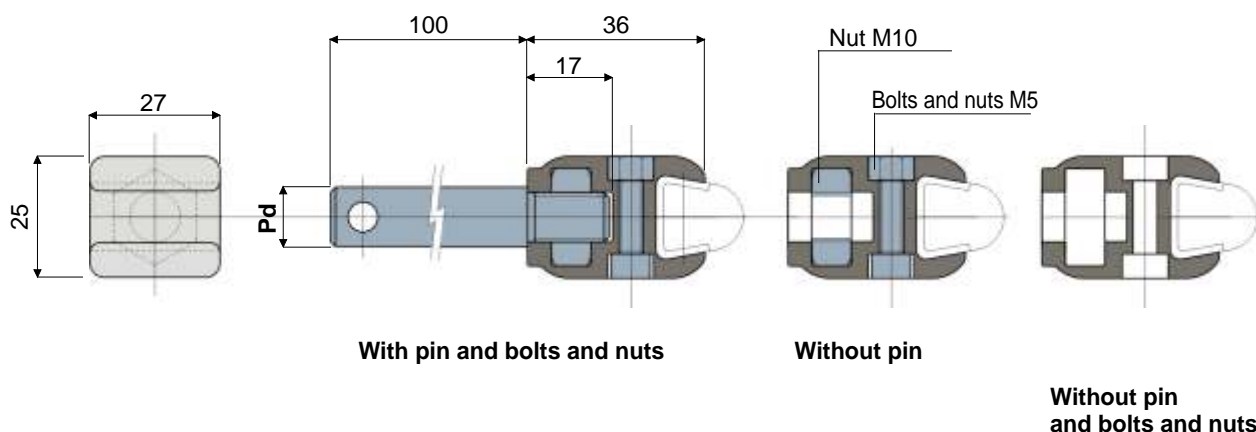
**Box Quantity:** According to your request.

# Guide rail clamp

(for trapezoidal rail)



Part. 205



Pd Pin diameter (mm)	With pin with bolts and nuts Code/Codice	Without pin Code/Codice	Without pin without bolts and nuts Code/Codice
12	205 / 80814	205 / 80817	205 / 80982
14	205 / 80815		
16	205 / 80816		

**MATERIALS:** Clamp made of reinforced polyamide, pin, bolts and nuts made of stainless steel AISI 304.

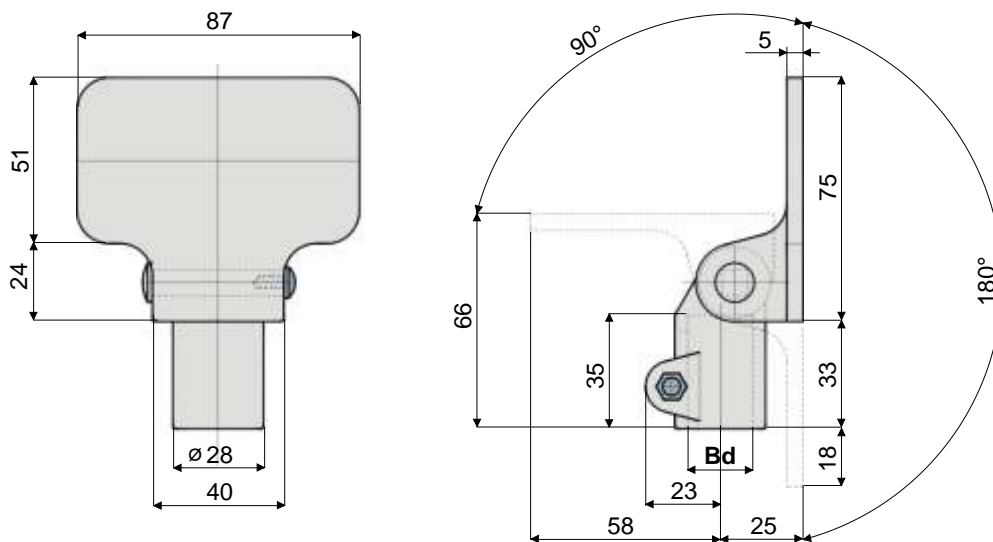
**FEATURES:** Supplied with or without support pin and with or without bolts and nuts.  
This part can be used with rails with thickness of 1,5 and 2 mm.

**BOX QUANTITY:** 24 pieces.

**ON REQUEST: Clamps:** In reinforced polypropylene, other colours.  
**Box Quantity:** According to your request.

# Clamp support for photocells (for photocells and reflectors)

Part. 206



Bd Bore for pin of (mm)	Code/Codice
12	206 / 82010 (can be used also with square pins 10x10)
14	206 / 80818
15	206 / 80819
16	206 / 80820
18	206 / 80821
20	206 / 80822

**MATERIALS:** Clamp made of reinforced polyamide, bolts and nuts made of stainless steel AISI 304.

**FEATURES:** Possibility of assembly in various positions.

**BOX QUANTITY:** 24 pieces.

**ON REQUEST: Clamps:** In reinforced polypropylene, other colours.

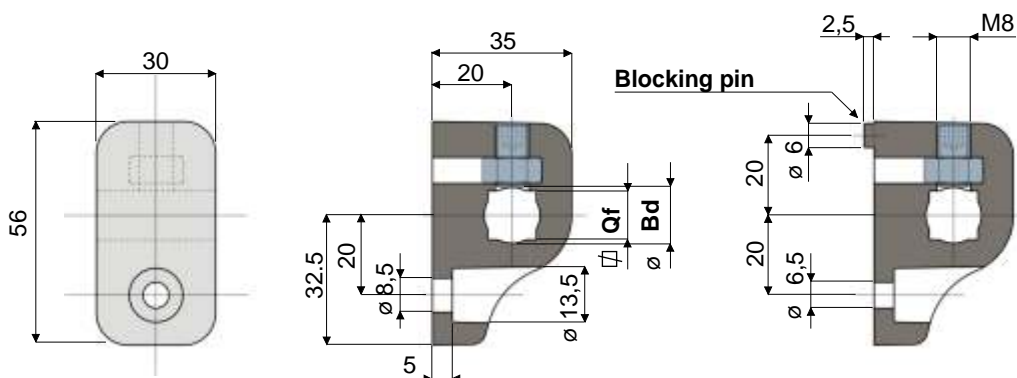
**Box Quantity:** According to your request.

# Clamp

(to support rails and photocells)

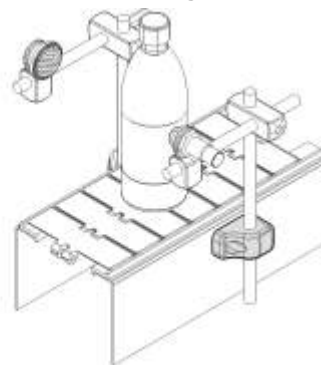
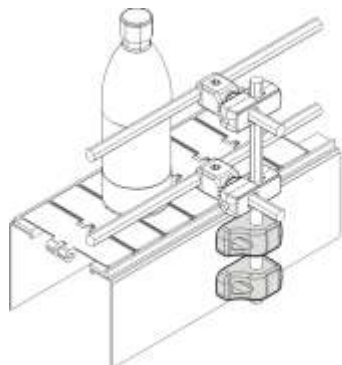


Part. 237



Without blocking pin

With blocking pin



Without blocking pin (Suitable to support guide)

With blocking pin (Suitable to support photocells)

Bore for pin of		Without blocking pin	With blocking pin
Bd (mm)	Qf	Code/Codice	Code/Codice
round	square		
10	8	237 / 80958	237 / 80961
12	10	237 / 80959	237 / 80962
14	12	237 / 80960	237 / 80963

**MATERIALS:** Clamp made of reinforced polyamide, screw and nuts made of stainless steel AISI 304.

**FEATURES:** This part can be used with round and square pins either.

**BOX QUANTITY:** 24 pieces.

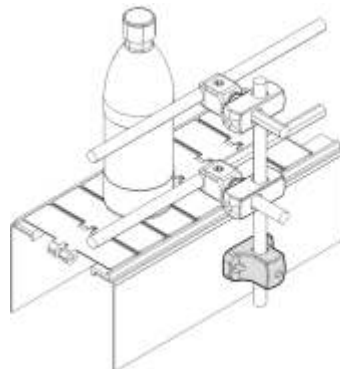
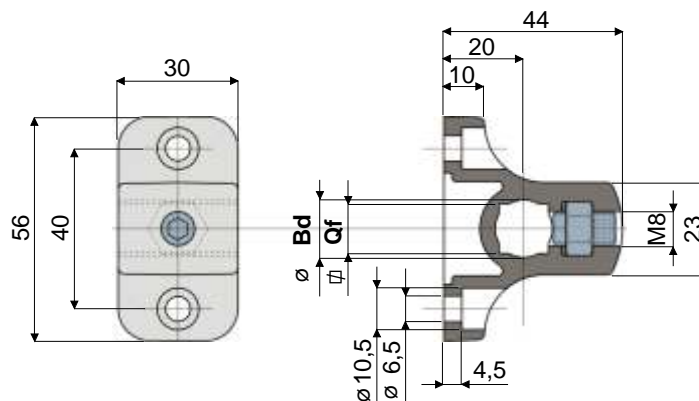
**ON REQUEST: Clamps:** With different bores sizes, in reinforced polypropylene, other colours.

**Box Quantity:** According to your request.

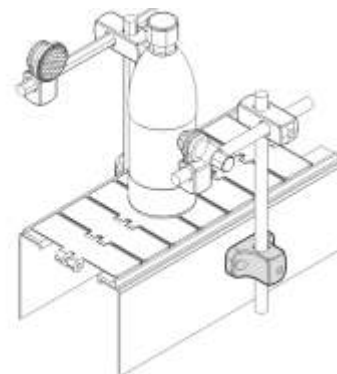
# T\_clamp

(to support rails and photocells)

Part. 238



Example of applications



To support guide.

To support photocells

Bore for pin of Bd (mm)	Qf square	Code/Codice
10	8	238 / 80985
12	10	238 / 80986
14	12	238 / 80987

**MATERIALS:** Clamp made of reinforced polyamide, screw and nuts made of stainless steel AISI 304.

**FEATURES:** This part can be used with round and square pins either.

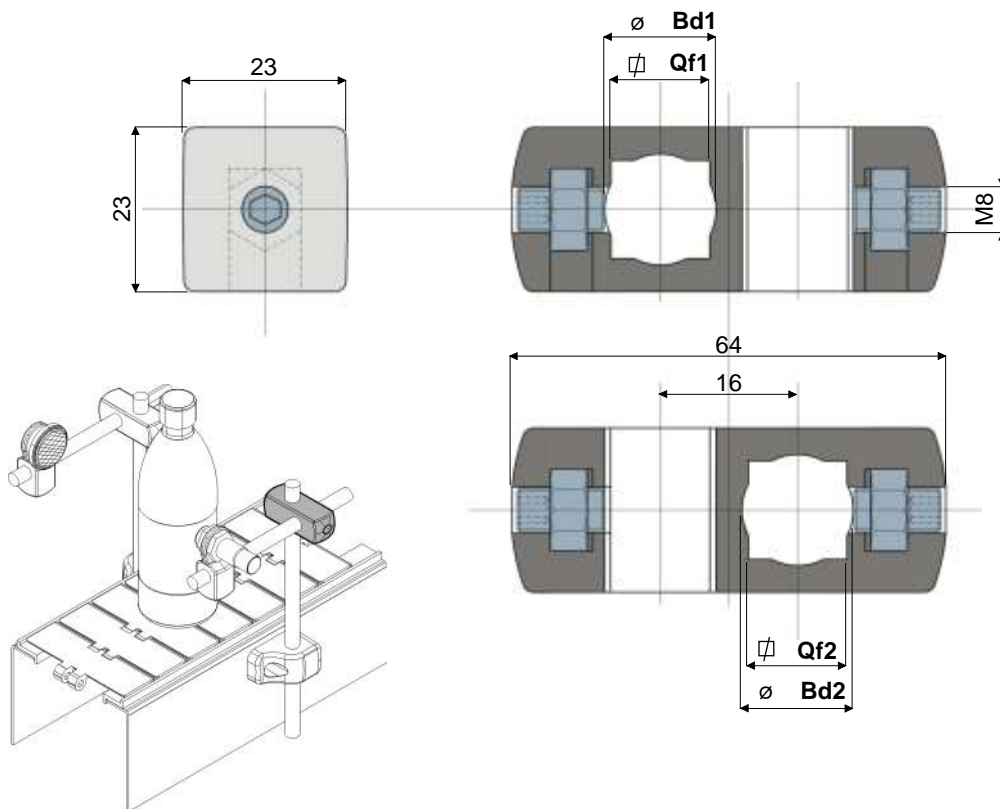
**BOX QUANTITY:** 24 pieces.

**ON REQUEST: Clamps:** With different bores sizes, in reinforced polypropylene, other colours.

**Box Quantity:** According to your request.



# Cross clamp



Example of application

Bore for pin of (mm)		Bore for pin of (mm)		Code/Codice
Bd1 round	Qf1 square	Bd2 round	Qf2 square	
10	8	10	8	239 / 80993
12	10	12	10	239 / 80994
14	12	14	12	239 / 80995

**MATERIALS:** Clamp made of reinforced polyamide, screws and nuts made of stainless steel AISI 304.

**FEATURES:** This part can be used with round and square pins either.

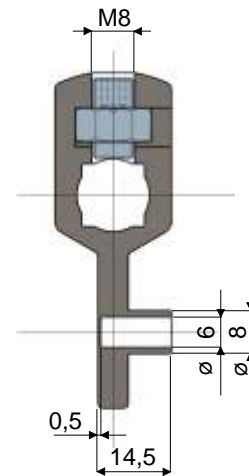
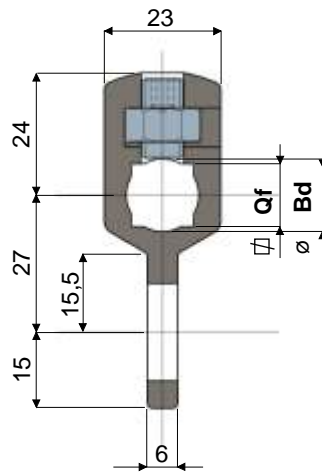
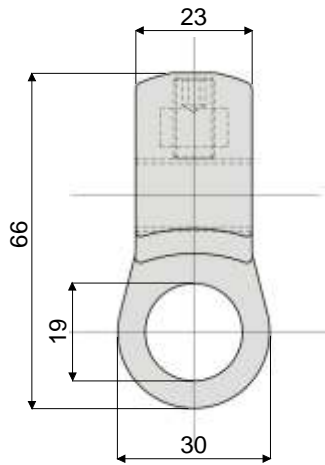
**BOX QUANTITY:** 24 pieces.

**ON REQUEST: Clamps:** With different bores sizes, in reinforced polypropylene, other colours.

**Box Quantity:** According to your request.

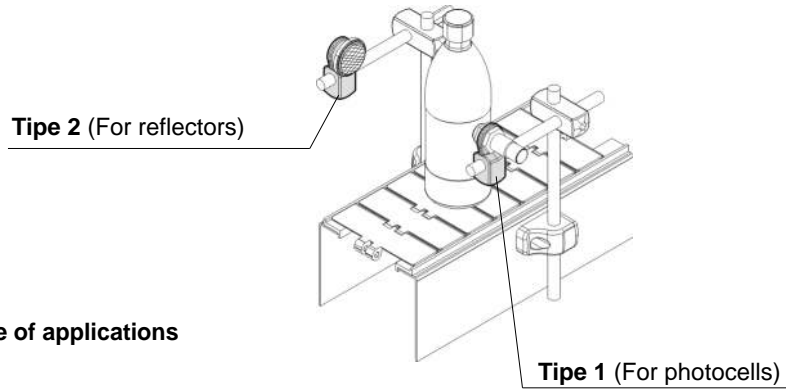
# Clamp support for photocells (for photocells and reflectors)

Part. 240



**Tippe 1** (For photocells)

**Tippe 2** (For reflectors)



**Example of applications**

Bore for pin of Bd (mm) Qf		<b>Tippe 1</b> (For photocells)	<b>Tippe 2</b> (For reflectors)
round	square	<b>Code/Codice</b>	<b>Code/Codice</b>
10	8	<b>240 / 80996</b>	<b>240 / 80997</b>
12	10	<b>240 / 80998</b>	<b>240 / 80999</b>
14	12	<b>240 / 81000</b>	<b>240 / 81001</b>

**MATERIALS:** Clamp made of reinforced polyamide, screw and nuts made of stainless steel AISI 304.

**FEATURES:** This part can be used with round and square pins either.

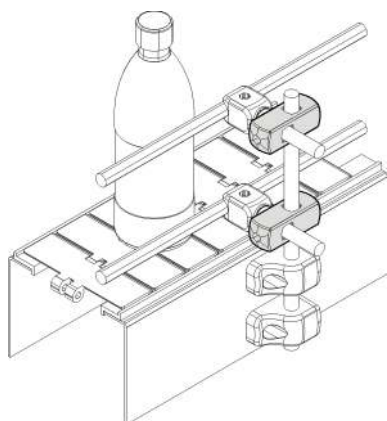
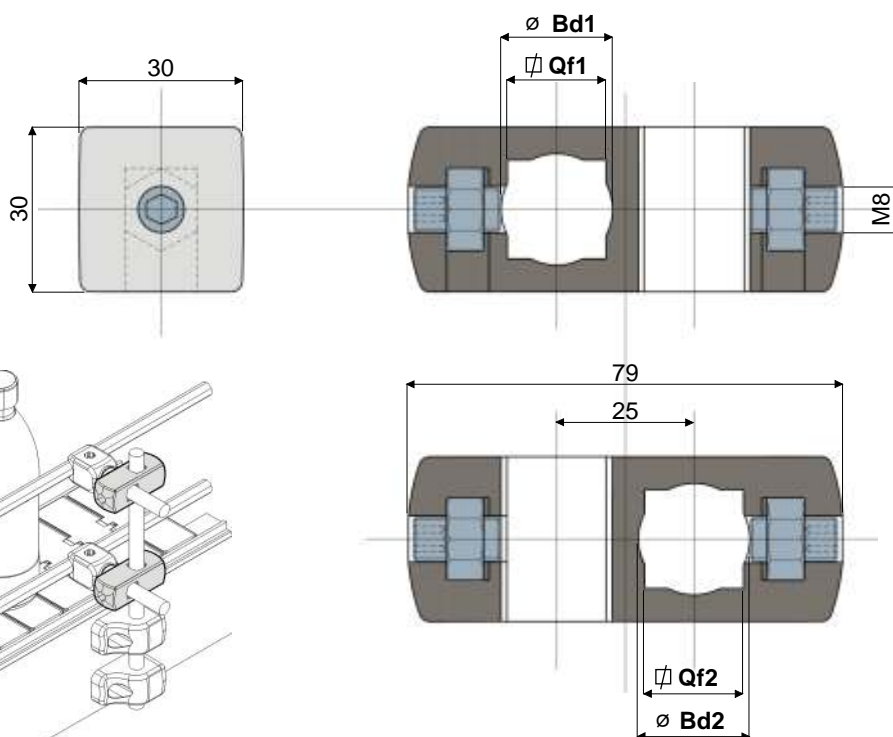
**BOX QUANTITY:** 24 pieces.

**ON REQUEST: Clamps:** With different bores sizes, in reinforced polypropylene, other colours.

**Box Quantity:** According to your request.

# Cross clamp

Part. 241



Exemple of application

Bore for pin of <b>Bd1</b> (mm)		Bore for pin of <b>Bd2</b> (mm)		<b>Code/Codice</b>
round	square	round	square	
14	12	14	12	241 / 80988
15	—	15	—	241 / 80989
16	—	16	—	241 / 80990
18	—	18	—	241 / 80991
20	—	20	—	241 / 80992

**MATERIALS:** Clamp made of reinforced polyamide, screws and nuts made of stainless steel AISI 304.

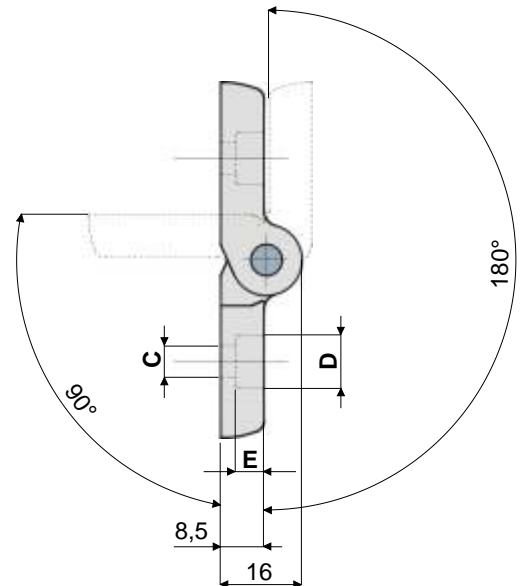
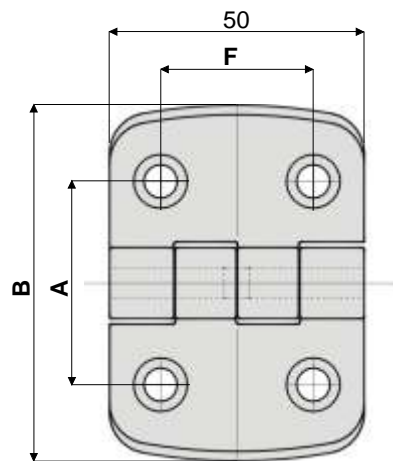
**FEATURES:** This can be used with round and square pins either, only in the version Bd1 14

**BOX QUANTITY:** 24 pieces.

**ON REQUEST: Clamps:** With different bores sizes, in reinforced polypropylene, other colours.

**Box Quantity:** According to your request.

## Part. 233



A	B	C	D	E	F	Code/Codice
34	50	5,5	10,5	3,5	34	233 / 80970
31	50	5,5	9	5	30	233 / 80772
40	70	6,5	10,5	6	30	233 / 80773
46	70	6,5	10,5	6	30	233 / 80774
46	70	8.5	13,5	5	30	233 / 80775

**MATERIALS:** Hinge made of reinforced polyamide, pin made of stainless steel.

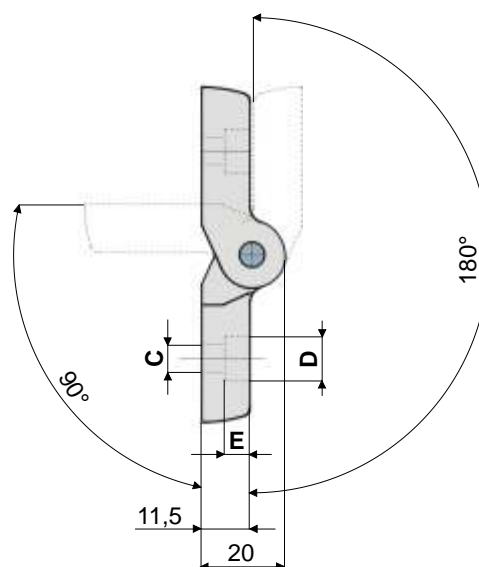
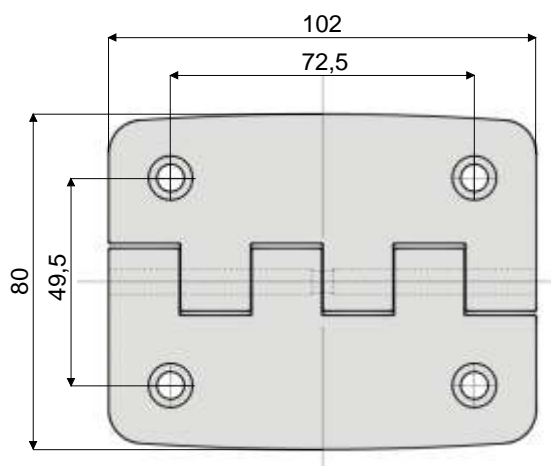
**FEATURES:** Maximum rotation 270°

**BOX QUANTITY:** 24 pieces.

**ON REQUEST: Hinges:** In reinforced polypropylene, other colours.

**Box Quantity:** According to your request.

# Hinge



C	D	E	Code/Codice
(mm)			
6,5	10,5	6	234 / 80776
8,5	13,5	8	234 / 80777

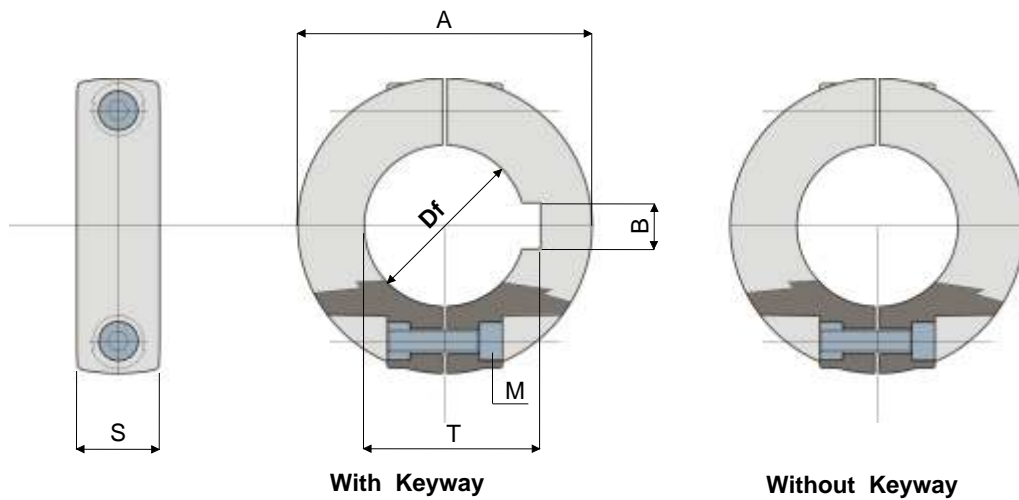
**MATERIALS:** Hinge made of reinforced polyamide, pin made of stainless steel.

**FEATURES:** Maximum rotation 270°

**BOX QUANTITY:** 24 pieces.

**ON REQUEST: Hinges:** In reinforced polypropylene, other colours.

**Box Quantity:** According to your request.



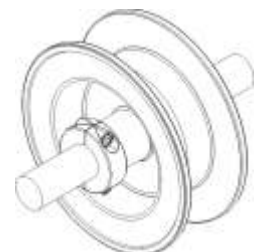
With Keyway

Without Keyway

With Keyway						Code/Codice
Df mm	A mm	S mm	M mm	B mm	T mm	
20	40	14	M4	6	22.8	288 / 82555
25	50	14	M5	8	28.3	288 / 82556
30	50	14	M5	8	33.3	288 / 82557
35	65	14	M5	10	38.3	288 / 82558
40	65	14	M5	12	43.3	288 / 82559

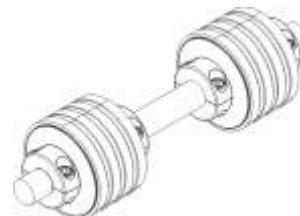


sprockets

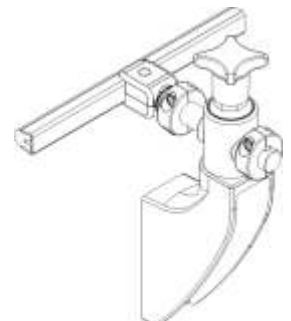


idler wheels

Without Keyway					Code/Codice
Df mm	A mm	S mm	M mm		
12	35	13	M4		288 / 82560
14	35	13	M4		288 / 82561
16	35	13	M4		288 / 82562
18	40	14	M4		288 / 82563
20	40	14	M4		288 / 82564
25	50	14	M5		288 / 82565
30	50	14	M5		288 / 82566
35	65	14	M5		288 / 82567
40	65	14	M5		288 / 82568



rollers for chain return



guide rail bracket

**MATERIALS:** Collars made out of black reinforced polyamide, bolt and nuts made out of stainless steel

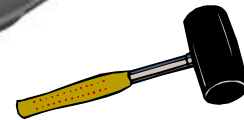
**FEATURES:** Supplied assembled. To be assembled on the shaft to obtain wheels axial blocking; to be assembled on pins for guides supporting to adjust the position of guides according to the bottle size.

**BOX QUANTITY:** 100 pieces.

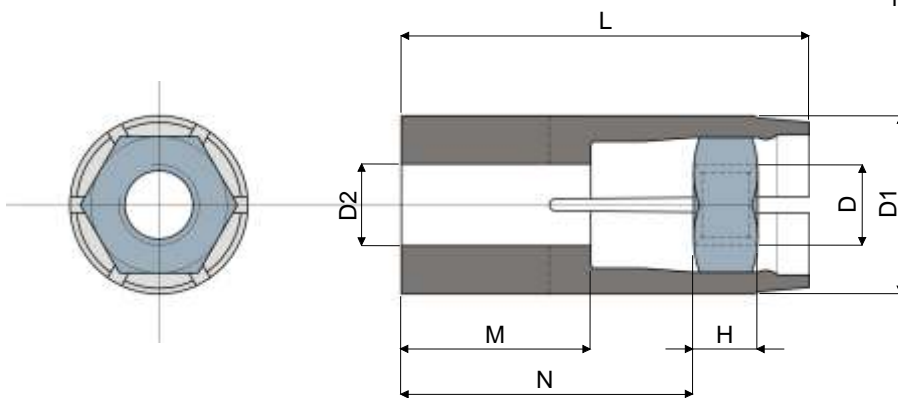
**ON REQUEST :** Collars: With special bores, other colours.  
Box quantity: According to your request.

### Example of applications

# Expansion plugs (for round tubes)

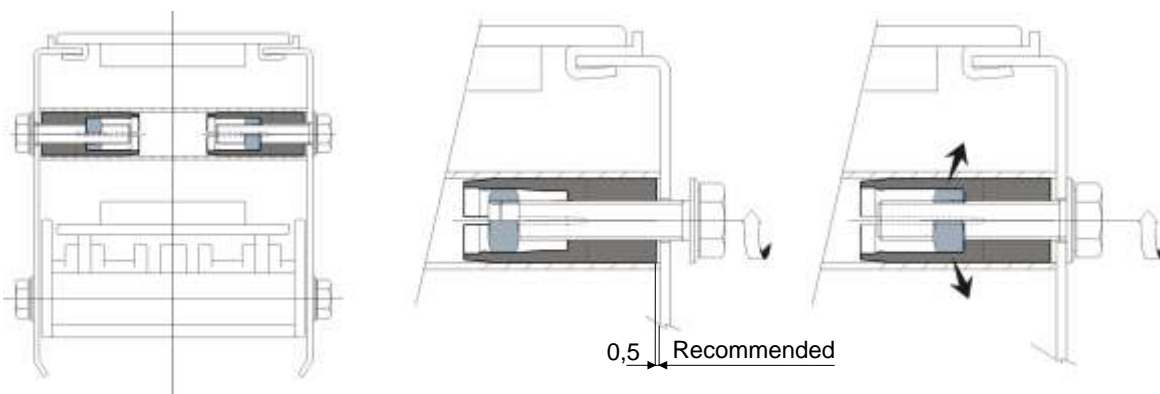


Pressure fitted



Tube dimensions

Outside mm	Thickness mm	Inside mm	Thread D	D1 mm	D2 mm	H mm	L mm	M mm	N mm	Code/Codice
20	1,5	17	M8	17	8,5	6,5	40	18	28	283 / 82579
25	1,5	22	M10	22	10,5	8	51	23	36	283 / 82505



**MATERIALS:** Plug made of reinforced polyamide; nut made of stainless steel.

**FEATURES:** Supplied assembled. To be assembled in the conveyor flanks

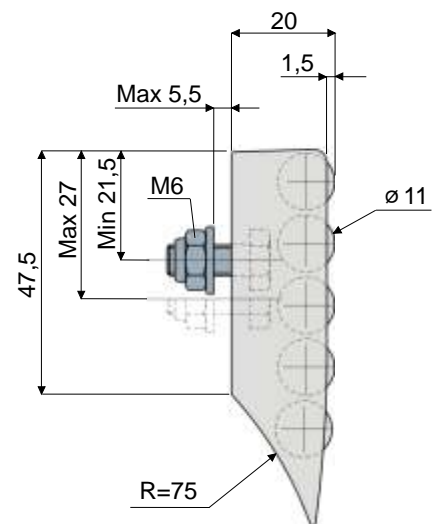
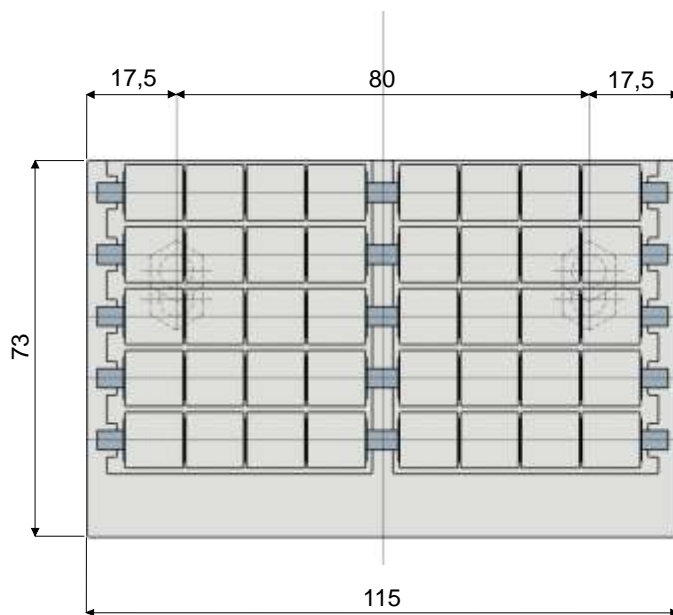
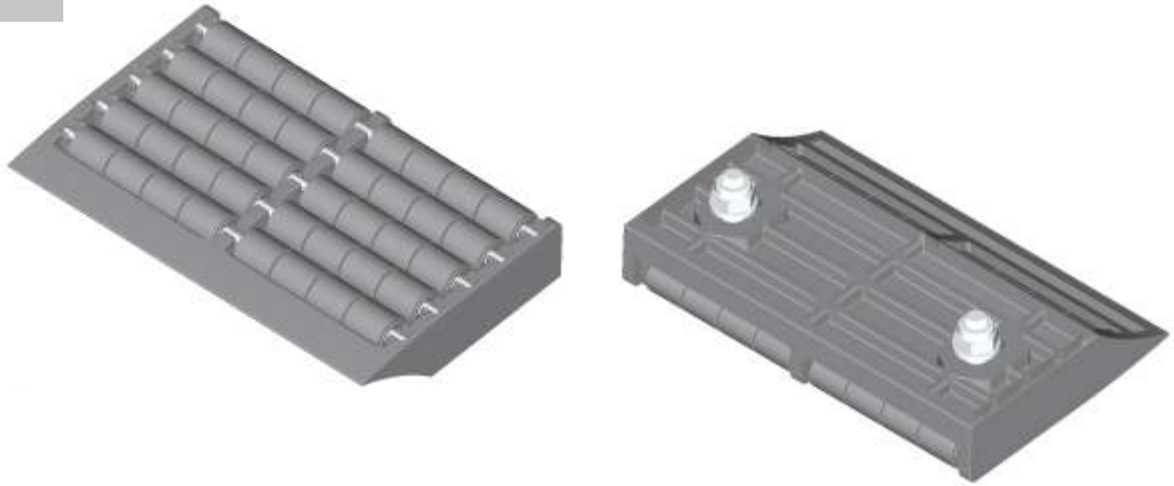
**BOX QUANTITY:** 96 pieces.

**ON REQUEST: Plugs:** Special thickness tube **Box Quantity:** According to your request.

# Modular transfer plates with rollers

(Width 115 mm 5 rows of rollers.)

Part. 257



Code/Codice
257 / 82005

**MATERIALS:** External module and rollers are made of grey acetal, pins and fixing bolts and nuts are made of stainless steel.

**FEATURES:** To be assembled at the end of your conveyor to help the products transfer.  
Easy to assemble, low friction coefficient, minimum noise level, extremely cleanable.

**BOX QUANTITY:** 24 pieces.

**ON REQUEST: External module and rollers:** Can be produced in other colours.  
**Box Quantity:** According to your request.

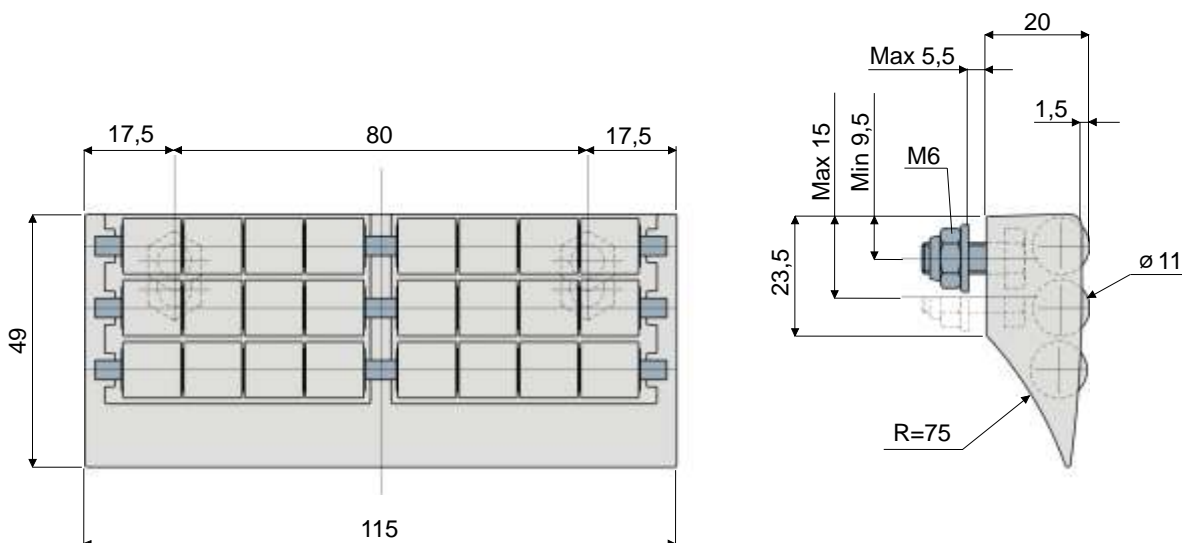


# Modular transfer plates with rollers

(Width 115 mm 3 rows of rollers.)



Part. 258



Code/Codice
258 / 82004

**MATERIALS:** External module and rollers are made of grey acetal, pins and fixing bolts and nuts are made of stainless steel.

**FEATURES:** To be assembled at the end of your conveyor to help the products transfer.  
Easy to assemble, low friction coefficient, minimum noise level, extremely cleanable.

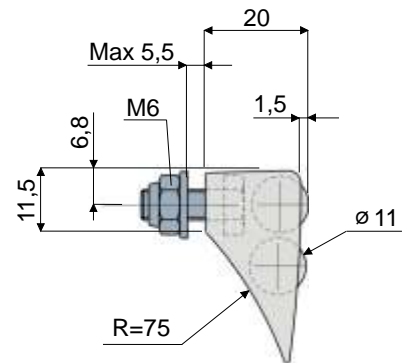
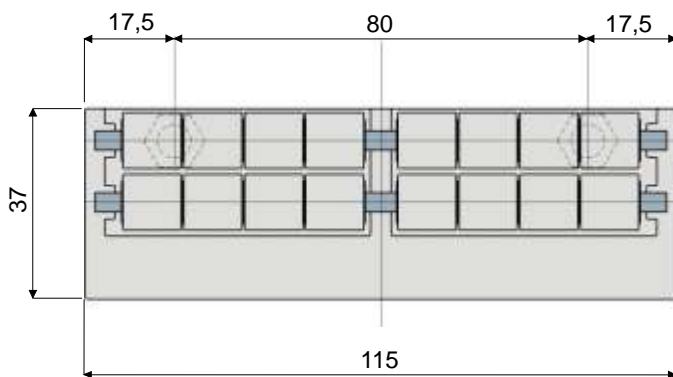
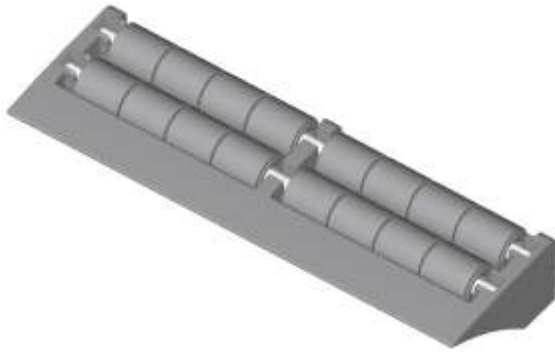
**BOX QUANTITY:** 8 pieces.

**ON REQUEST: External module and rollers:** Can be produced in other colours.  
**Box Quantity:** According to your request.

# Modular transfer plates with rollers

(Width 115 mm 2 rows of rollers.)

Part. 259



Code/Codice
259 / 82003

**MATERIALS:** External module and rollers are made of grey acetal, pins and fixing bolts and nuts are made of stainless steel.

**FEATURES:** To be assembled at the end of your conveyor to help the products transfer.  
Easy to assemble, low friction coefficient, minimum noise level, extremely cleanable.

**BOX QUANTITY:** 8 pieces.

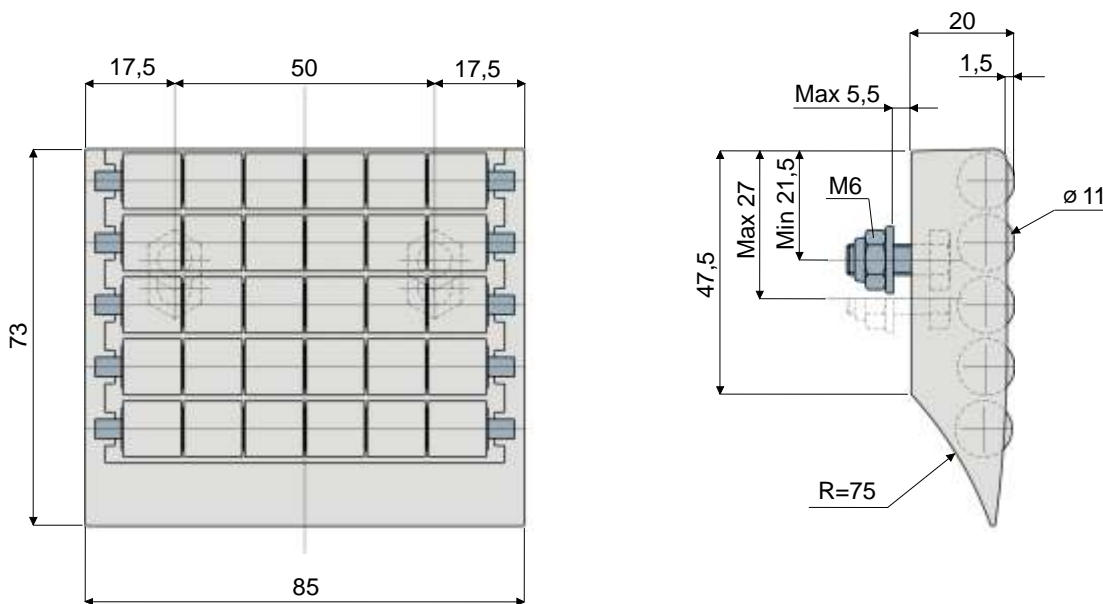
**ON REQUEST: External module and rollers:** Can be produced in other colours.  
**Box Quantity:** According to your request.

# Modular transfer plates with rollers

(Width 85 mm 5 rows of rollers.)



Part. 260



Code/Codice
260 / 82002

**MATERIALS:** External module and rollers are made of grey acetal, pins and fixing bolts and nuts are made of stainless steel.

**FEATURES:** To be assembled at the end of your conveyor to help the products transfer.  
Easy to assemble, low friction coefficient, minimum noise level, extremely cleanable.

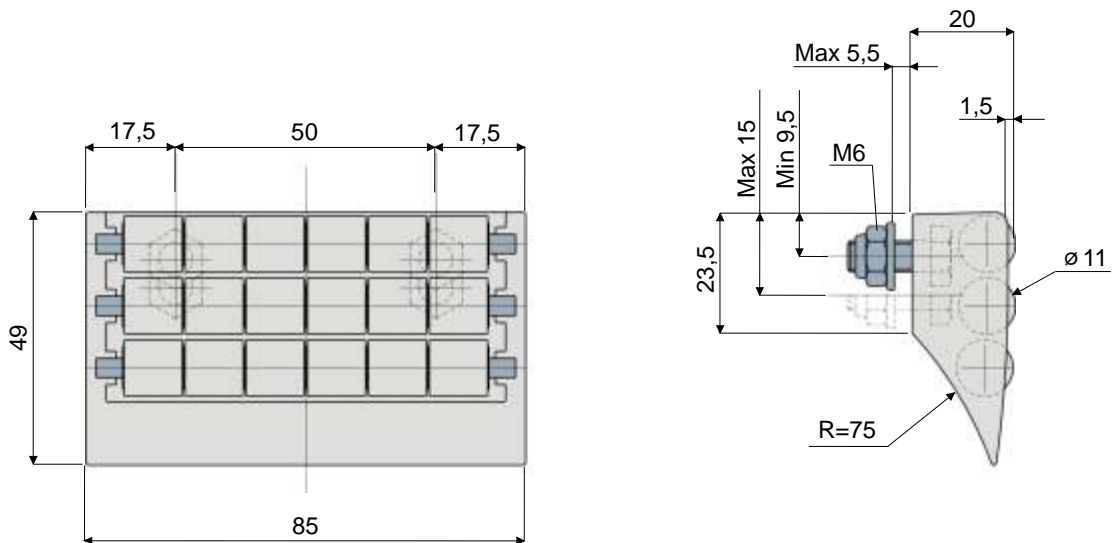
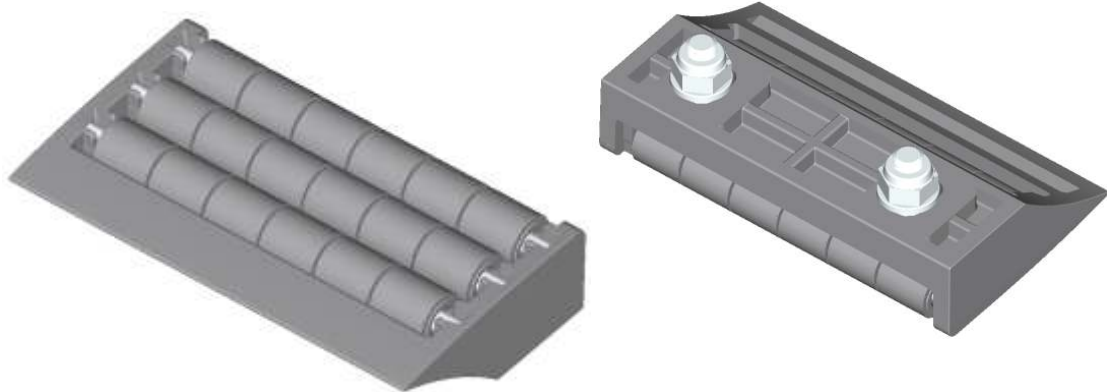
**BOX QUANTITY:** 8 pieces.

**ON REQUEST: External module and rollers:** Can be produced in other colours.  
**Box Quantity:** According to your request.

# Modular transfer plates with rollers

(Width 85 mm 3 rows of rollers.)

Part. 261



Code/Codice
261 / 82001

**MATERIALS:** External module and rollers are made of grey acetal, pins and fixing bolts and nuts are made of stainless steel.

**FEATURES:** To be assembled at the end of your conveyor to help the products transfer.  
Easy to assemble, low friction coefficient, minimum noise level, extremely cleanable.

**BOX QUANTITY:** 8 pieces.

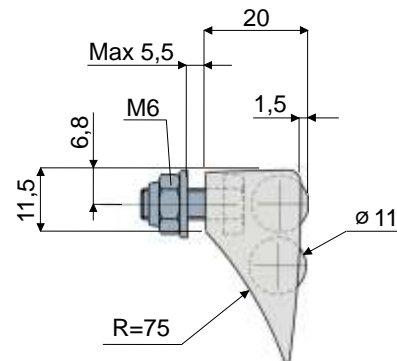
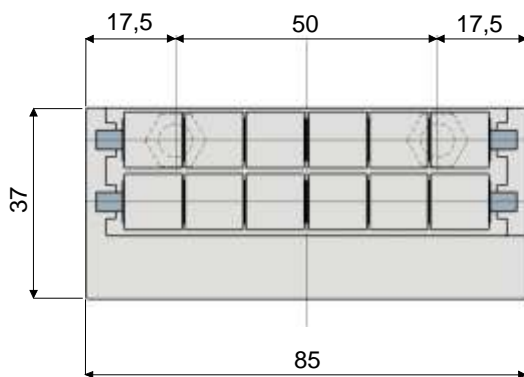
**ON REQUEST: External module and rollers:** Can be produced in other colours.  
**Box Quantity:** According to your request.

# Modular transfer plates with rollers

(Width 85 mm 2 rows of rollers.)



Part. 262



Code/Codice
262 / 82000

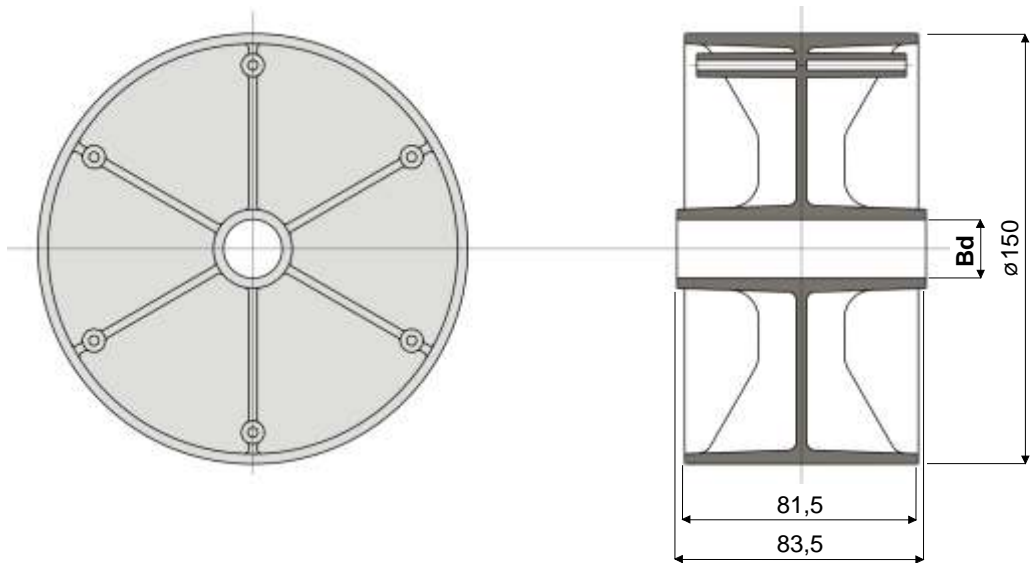
**MATERIALS:** External module and rollers are made of grey acetal, pins and fixing bolts and nuts are made of stainless steel.

**FEATURES:** To be assembled at the end of your conveyor to help the products transfer.  
Easy to assemble, low friction coefficient, minimum noise level, extremely cleanable.

**BOX QUANTITY:** 8 pieces.

**ON REQUEST: External module and rollers:** Can be produced in other colours.  
**Box Quantity:** According to your request.

Part. 268



<b>Bd</b> Bore for pin of (mm)	<b>Code/Codice</b>
<b>20</b>	<b>268 / 82040</b>

**MATERIALS:** Black polyamide

**FEATURES:** To be assembled in the chain return near to the sprocket .

**BOX QUANTITY:** 12 pieces.

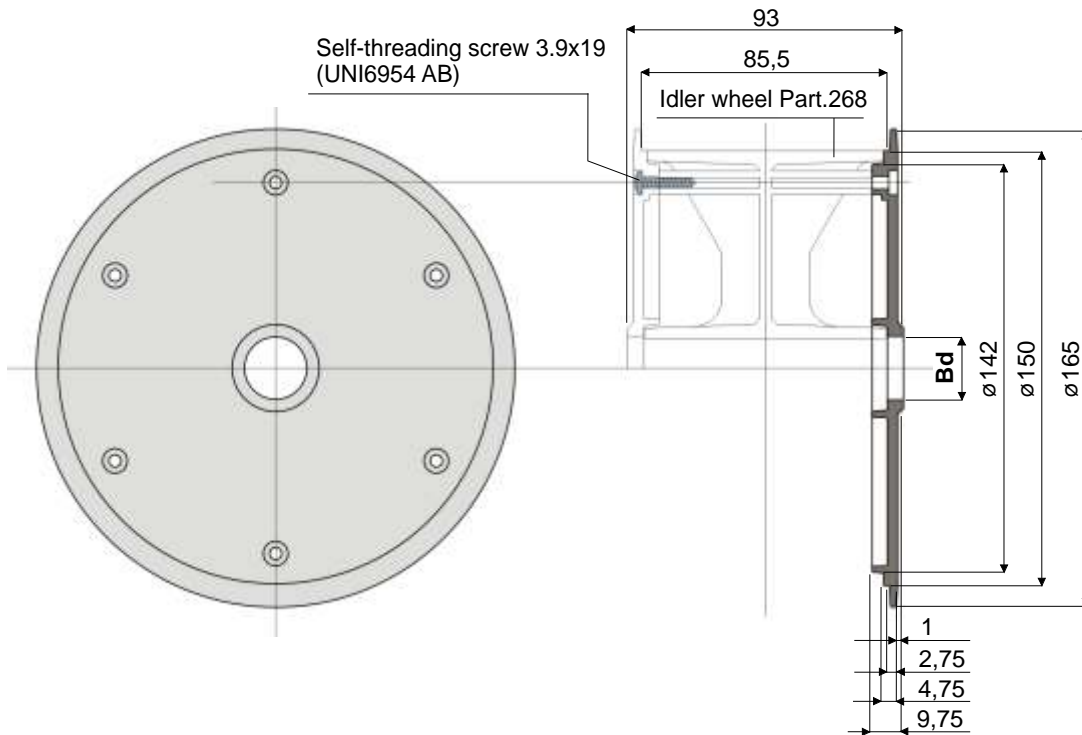
**ON REQUEST: Wheels:** Other bore sizes and colours.  
**Box Quantity:** According to your request.

# Flange for chain guide

(for idler wheel Part.268)



Part. 269



<b>Bd</b> Bore for pin of (mm)	<b>Code/Codice</b>
<b>20</b>	<b>269 / 82041</b>

**MATERIALS:** Flange is made of black polyamide, self-threading screws are made of stainless steel.

**FEATURES:** To be assembled to our idler wheel part.268 for chain guide. Supplied complete with blocking screws.

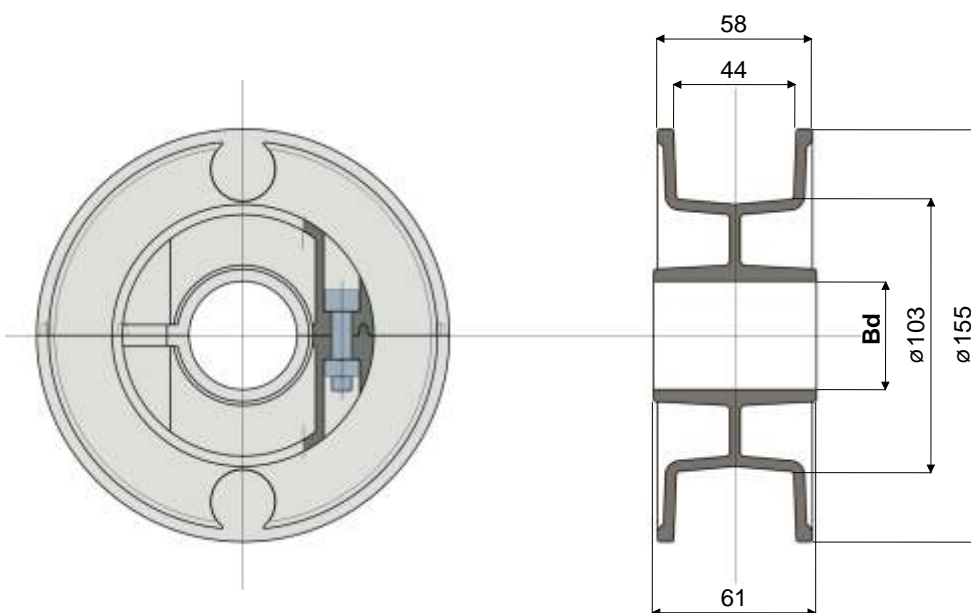
**BOX QUANTITY:** 24 pieces.

**ON REQUEST: Flange:** Other bore sizes and colours.  
**Box Quantity:** According to your request.

# Split idler wheels 25 teeth

(for chains series 812-815-820-831)

Part. **285**



<b>Bd</b> Bore for shaft of (mm)	<b>Code/Codice</b>
25	285 / 82526
30	285 / 82528
35	285 / 82529
40	285 / 82530

**MATERIALS:** Wheel made of black polyamide, Bolt and nuts made of stainless steel

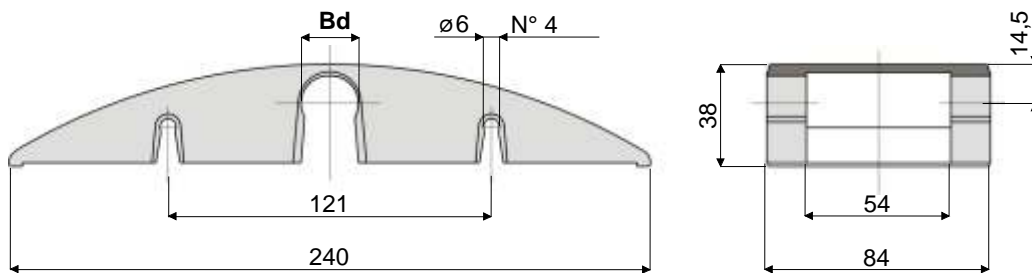
**FEATURES:** Supplied assembled. To be used for chains Series 812, 815, 820, 831

**BOX QUANTITY:** 12 pieces

**ON REQUEST:** Wheels: with special bores, other colours, with customer brand.  
Box quantity: According to your request.



# Self-adjusting sliding shoe (for chain return)



<b>Bd</b> Bore for pin of (mm)	<b>Code/Codice</b>
18	267 / 82038
20	267 / 82039

**MATERIALS:** Black polyamide

**FEATURES:** To be assembled in the chain return near to the sprocket . Snap-on assembly

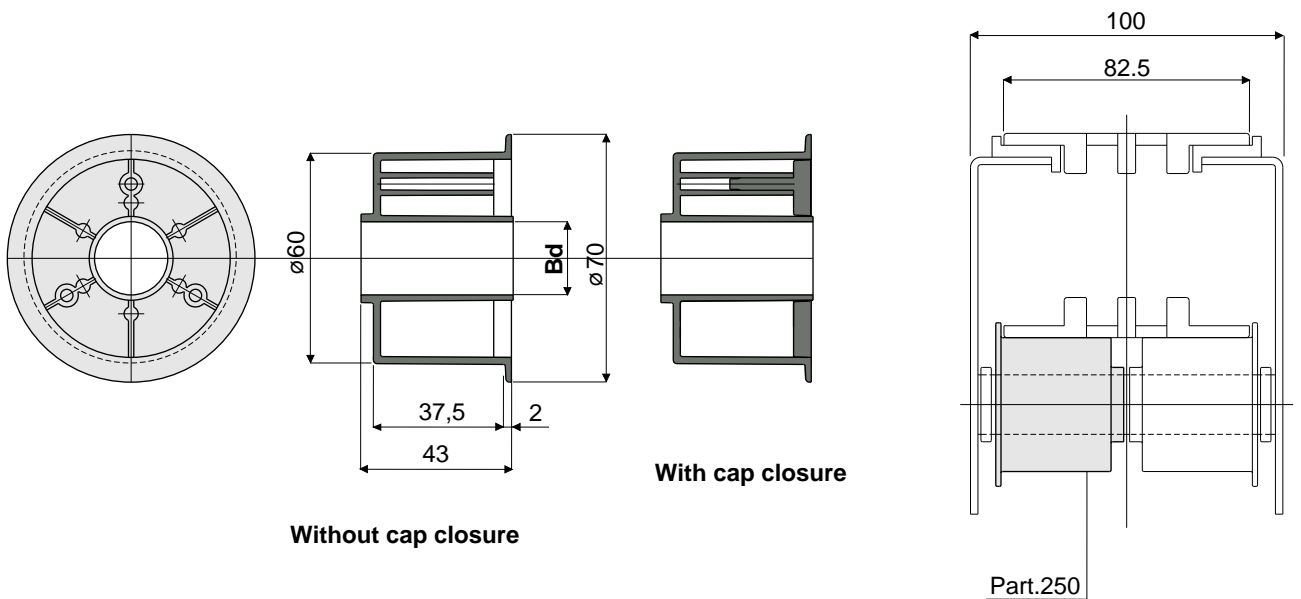
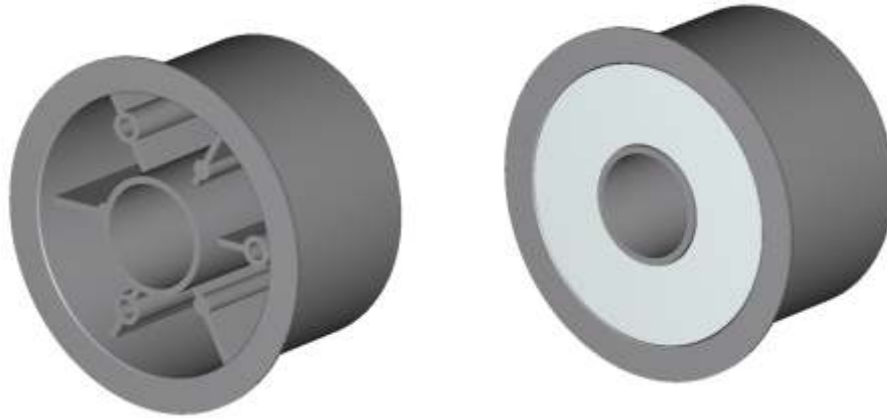
**BOX QUANTITY:** 12 pieces.

**ON REQUEST: Sliding shoe:** Other bore bore sizes, materials and colours.

**Box Quantity:** According to your request.

# Roller for chain return (with flange)

Part. 250



Example of application

Bd Bore for pin of (mm)	Without cap closure	With cap closure
	Code/Codice	Code/Codice
15	250 / 82201	250 / 82219
16	250 / 82202	250 / 82220
18	250 / 82203	250 / 82221
20	250 / 82204	250 / 82222

**MATERIALS:** Roller made out of black polyamide, cap made out of grey polyamide.

**FEATURES:** To be assembled in the chain return.

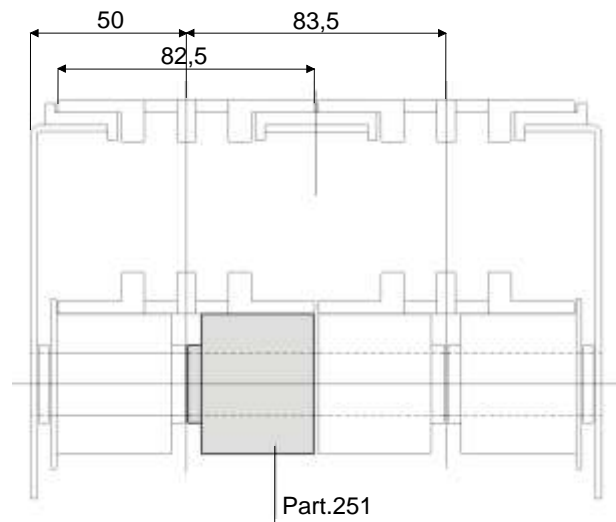
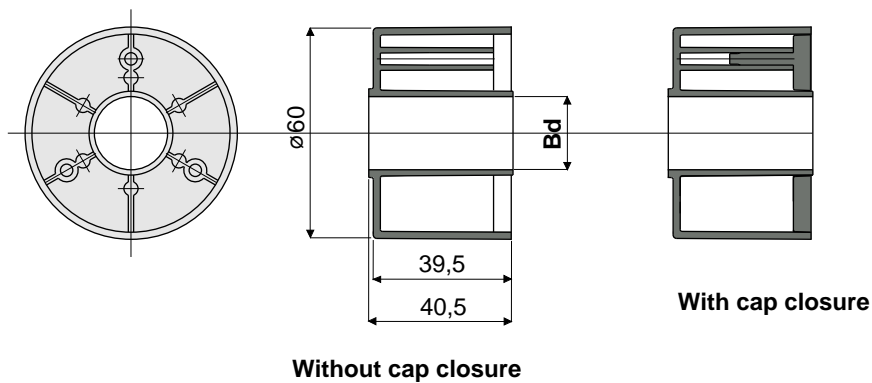
**BOX QUANTITY:** 96 pieces.

**ON REQUEST: Rollers:** Special bores, other colours.

**Box Quantity:** According to your request.

# Roller for chain return (without flange)

Part. 251



Example of application

Bd Bore for pin of (mm)	Without cap closure	With cap closure
	Code/Codice	Code/Codice
15	251 / 82205	251 / 82223
16	251 / 82206	251 / 82224
18	251 / 82207	251 / 82225
20	251 / 82208	251 / 82226

**MATERIALS:** Roller made out of black polyamide; cap made out of grey polyamide.

**FEATURES:** To be assembled in the chain return.

**BOX QUANTITY:** 96 pieces.

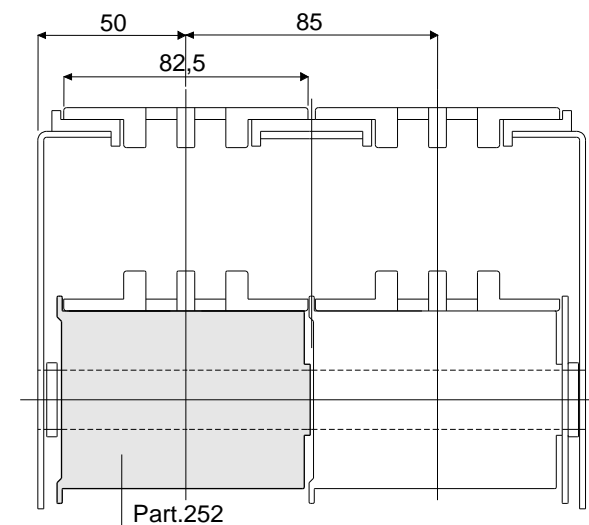
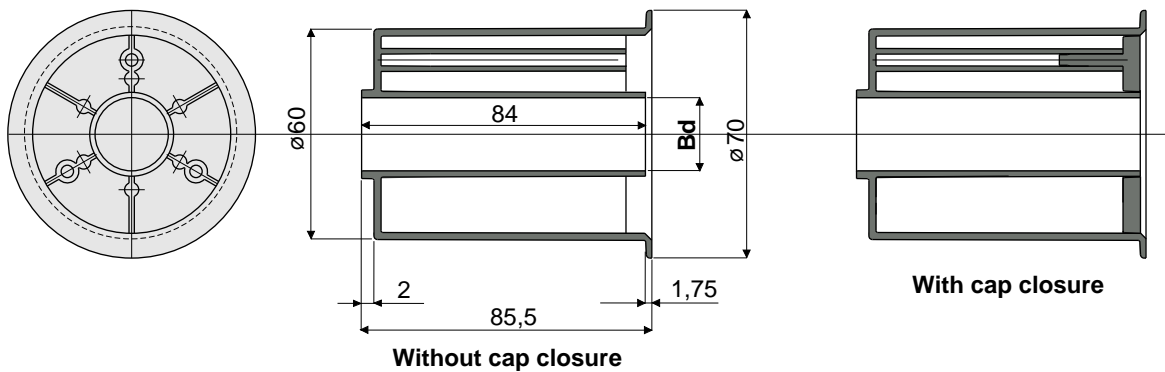
**ON REQUEST: Rollers:** Special bores, other colours.

**Box Quantity:** According to your request.

# Roller for chain return

(with flange)

Part. 252



Example of application

Bd Bore for pin of (mm)	Without cap closure	With cap closure
	Code/Codice	Code/Codice
12	252 / 82624	252 / 82625
14	252 / 82258	252 / 82259
15	252 / 82227	252 / 82231
16	252 / 82228	252 / 82232
18	252 / 82229	252 / 82233
20	252 / 82230	252 / 82234

**MATERIALS:** Roller made out of black polyamide; cap made out of grey polyamide.

**FEATURES:** To be assembled in the chain return.

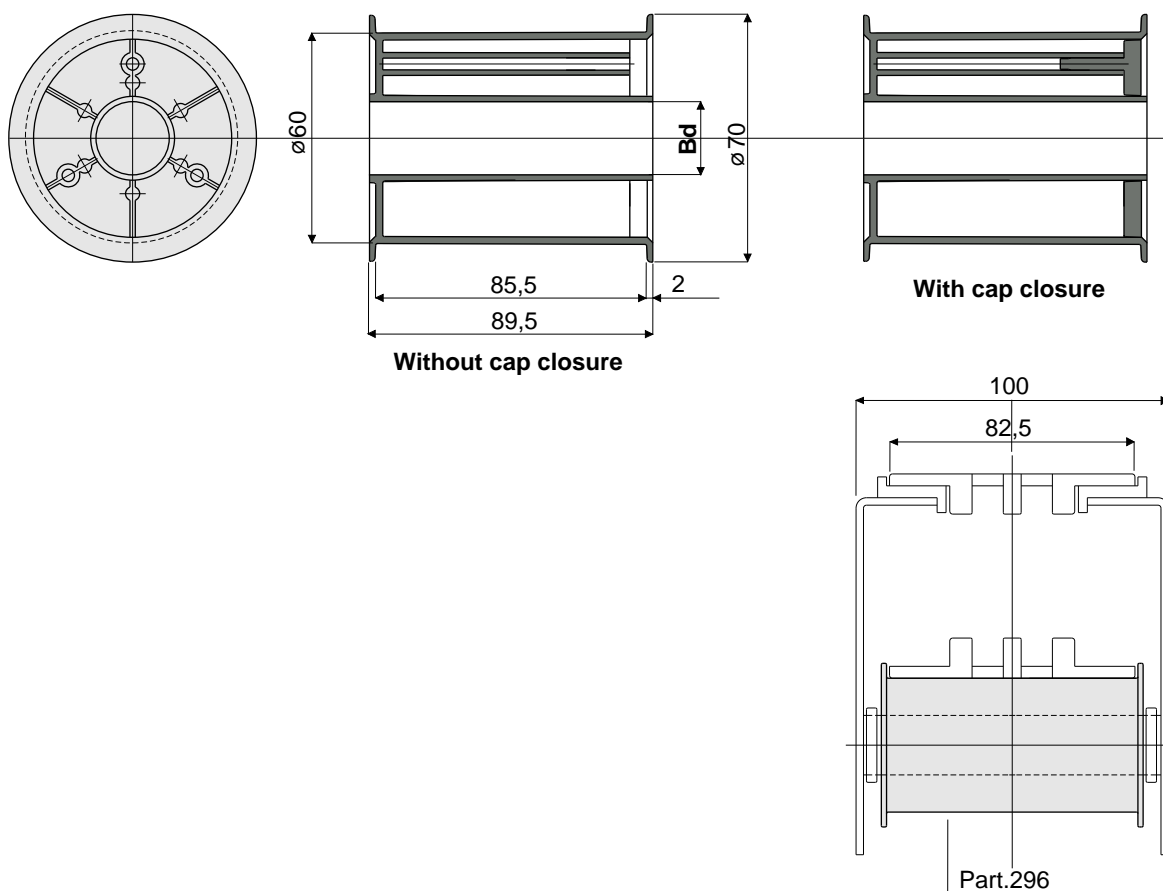
**BOX QUANTITY:** 96 pieces.

**ON REQUEST: Rollers:** Special bores, other colours.

**Box Quantity:** According to your request.

# Roller for chain return (with flange)

Part. 296



Bd Bore for pin of (mm)	Without cap closure	With cap closure
	Code/Codice	Code/Codice
12	296 / 82611	296 / 82612
14	296 / 82613	296 / 82614
15	296 / 82615	296 / 82616
16	296 / 82617	296 / 82618
18	296 / 82619	296 / 82620
20	296 / 82621	296 / 82622

**MATERIALS:** Roller made out of black polyamide; cap made out of grey polyamide.

**FEATURES:** To be assembled in the chain return.

**BOX QUANTITY:** 96 pieces.

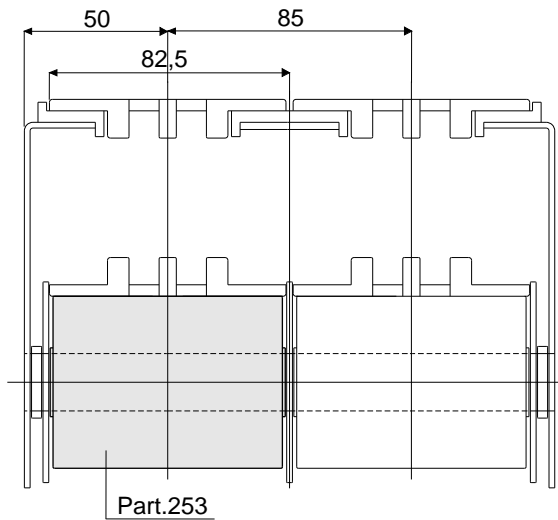
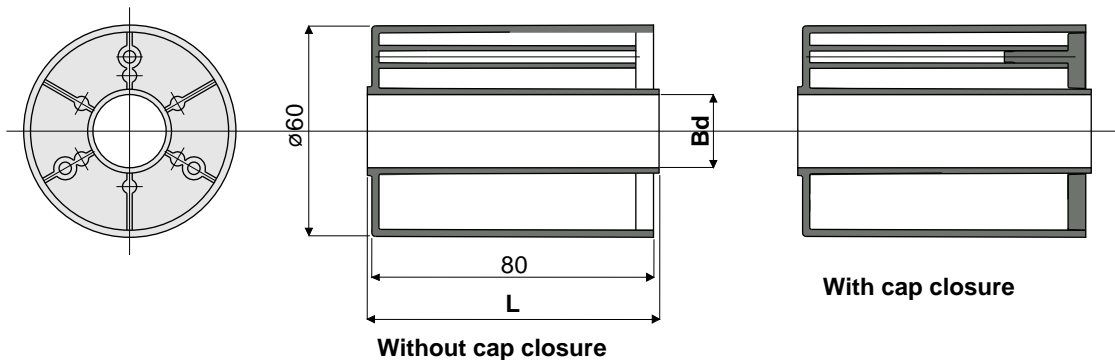
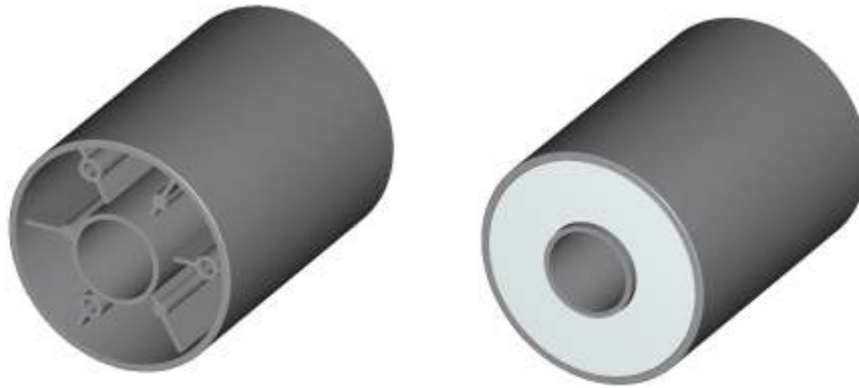
**ON REQUEST: Rollers:** Special bores, other colours.

**Box Quantity:** According to your request.

Example of application

# Roller for chain return (without flange)

Part. 253



Example of application

Bd Bore for pin of (mm)	Without cap closure		With cap closure	
	L=82	L=84	L=82	L=84
	Code/Codice	Code/Codice	Code/Codice	Code/Codice
12	253 / 82626	253 / 82627	253 / 82628	253 / 82629
14	253 / 82260	253 / 82261	253 / 82262	253 / 82263
15	253 / 82235	253 / 82239	253 / 82243	253 / 82247
16	253 / 82236	253 / 82240	253 / 82244	253 / 82248
18	253 / 82237	253 / 82241	253 / 82245	253 / 82249
20	253 / 82238	253 / 82242	253 / 82246	253 / 82250

**MATERIALS:** Roller made out of black polyamide; cap made out of grey polyamide.

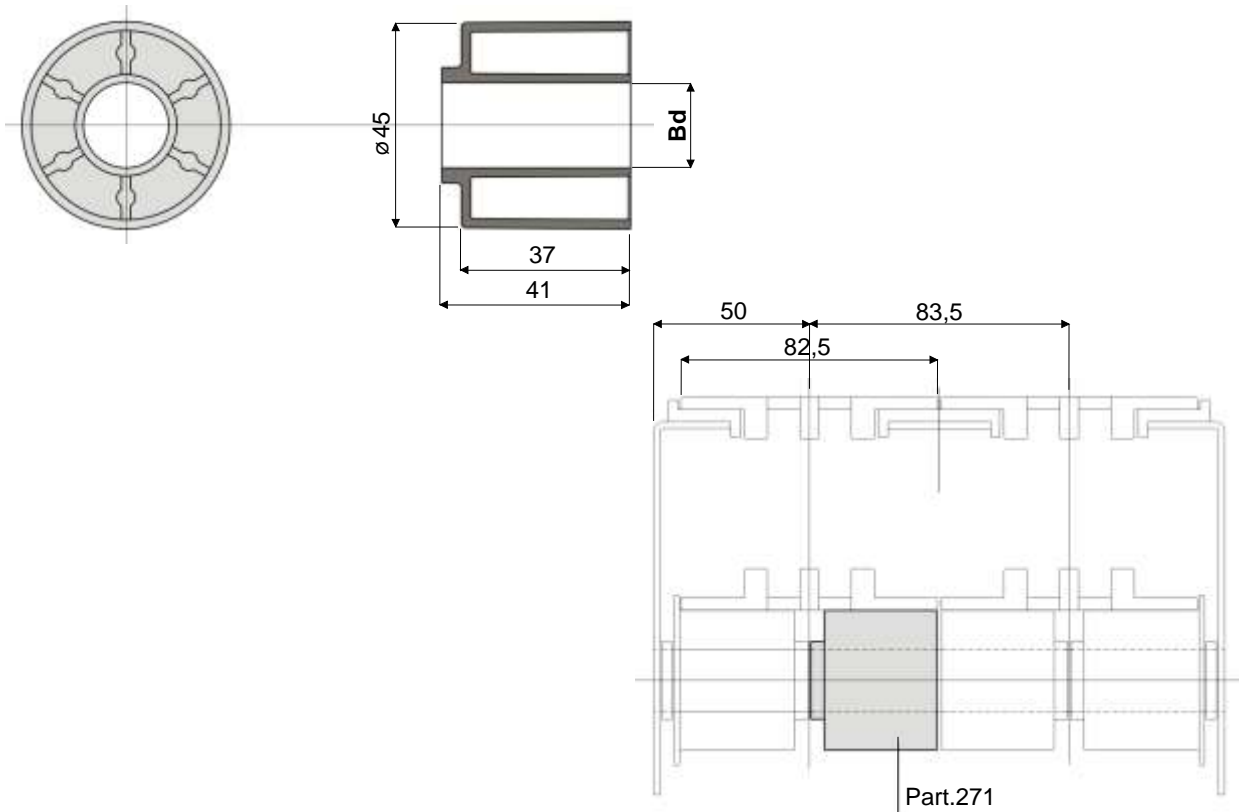
**FEATURES:** To be assembled in the chain return.

**BOX QUANTITY:** 48 pieces.

**ON REQUEST: Rollers:** Special bores, other colours.

**Box Quantity:** According to your request.

# Roller for chain return (without flange)



Bd Bore for pin of (mm)	Code/Codice
15	271 / 82044
20	271 / 82045

Example of application

**MATERIALS:** Black polyamide.

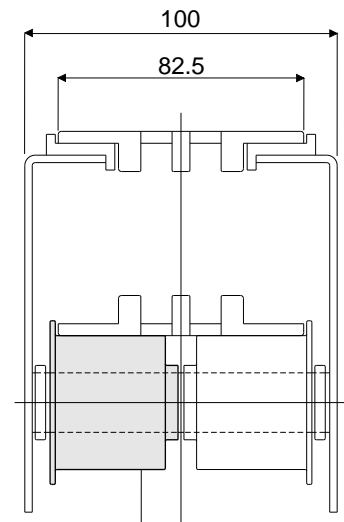
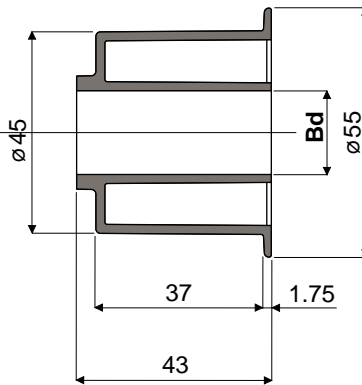
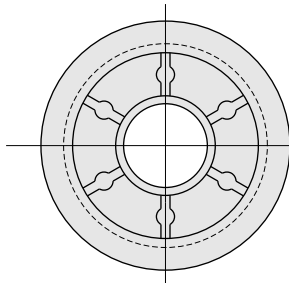
**FEATURES:** To be assembled in the chain return.

**BOX QUANTITY:** 96 pieces.

**ON REQUEST: Rollers:** Special bores, other colours.  
**Box Quantity:** According to your request.

# Roller for chain return (with flange)

Part. 270



Part.270

Example of application

Bd Bore for pin of (mm)	Code/Codice
15	270 / 82042
20	270 / 82043

**MATERIALS:** Black polyamide.

**FEATURES:** To be assembled in the chain return.

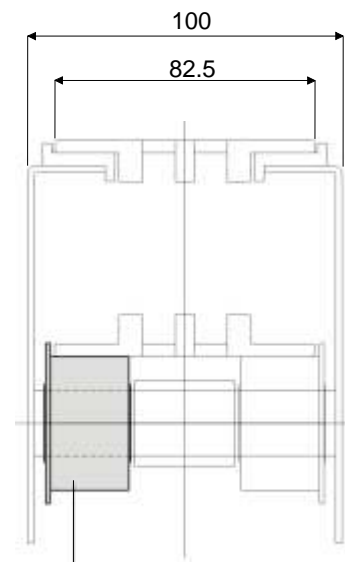
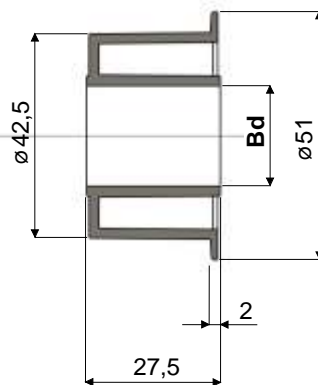
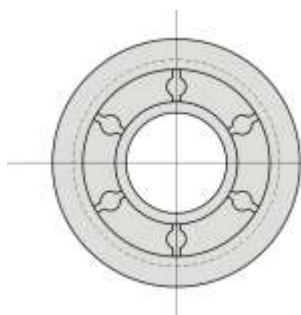
**BOX QUANTITY:** 96 pieces.

**ON REQUEST: Rollers:** Special bores, other colours.

**Box Quantity:** According to your request.



# Roller for chain return (with flange)



Part.273

Example of application

Bd Bore for pin of (mm)	Code/Codice
12	273 / 82048
16	273 / 82049
18	273 / 82050
20	273 / 82051

**MATERIALS:** Black polyamide.

**FEATURES:** To be assembled in the chain return.

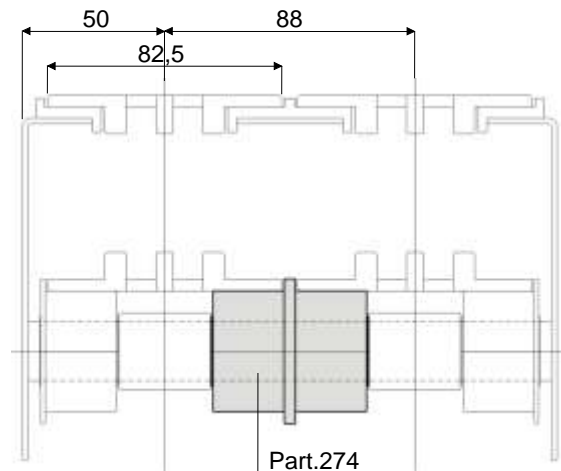
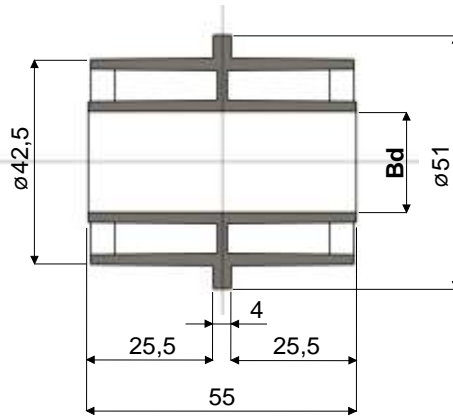
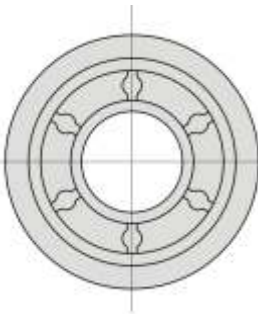
**BOX QUANTITY:** 96 pieces.

**ON REQUEST: Rollers:** Special bores, other colours.

**Box Quantity:** According to your request.

# Double roller for chain return (with central flange)

Part. 274



Bd Bore for pin of (mm)	Code/Codice
12	274 / 82052
16	274 / 82053
18	274 / 82054
20	274 / 82055

Example of application

**MATERIALS:** Black polyamide.

**FEATURES:** To be assembled in the chain return.

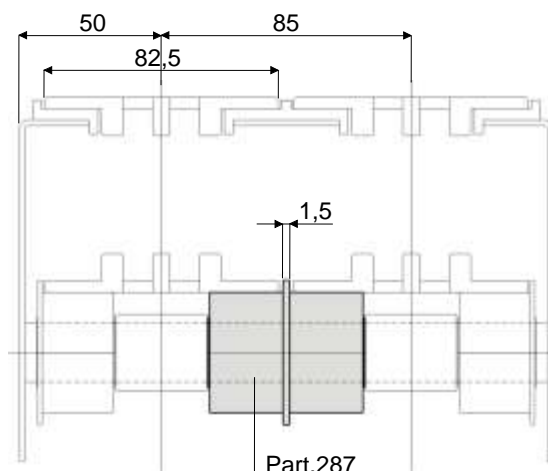
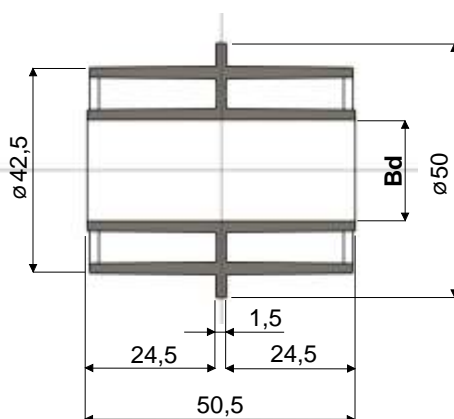
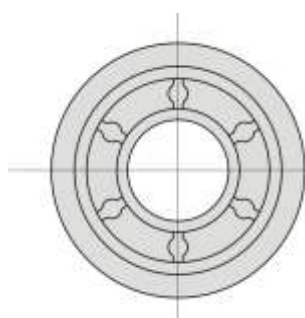
**BOX QUANTITY:** 96 pieces.

**ON REQUEST: Rollers:** Special bores, other colours.

**Box Quantity:** According to your request.

# Double roller for chain return (with central flange)

Part. 287



Part.287  
Example of application

Bd Bore for pin of (mm)	Code/Codice
12	287 / 82536
16	287 / 82537
18	287 / 82538
20	287 / 82539

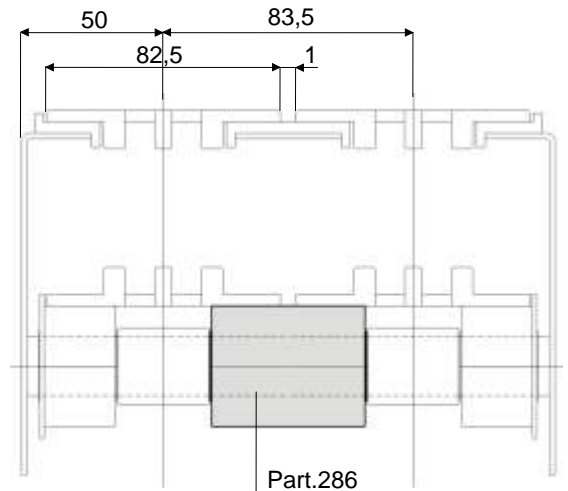
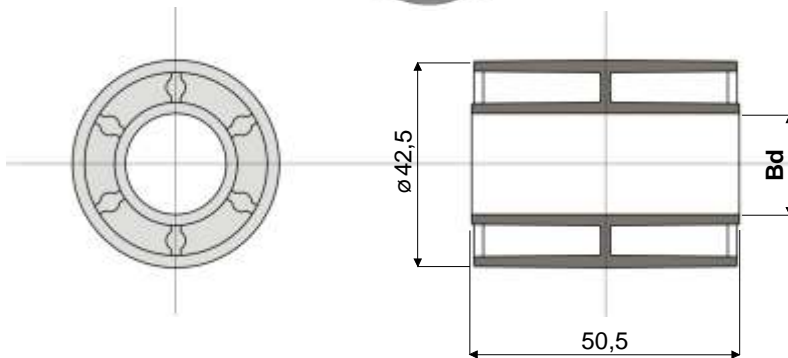
**MATERIALS:** Black polyamide.

**FEATURES:** To be assembled in the chain return.

**BOX QUANTITY:** 96 pieces.

**ON REQUEST:** Rollers: special bores, other colours.  
Box quantity: According to your request.

Part. 286



Example of application

Bd Bore for pin of (mm)	Code/Codice
12	286 / 82532
16	286 / 82533
18	286 / 82534
20	286 / 82535

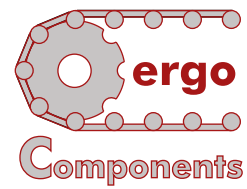
**MATERIALS:** Black polyamide.

**FEATURES:** To be assembled in the chain return.

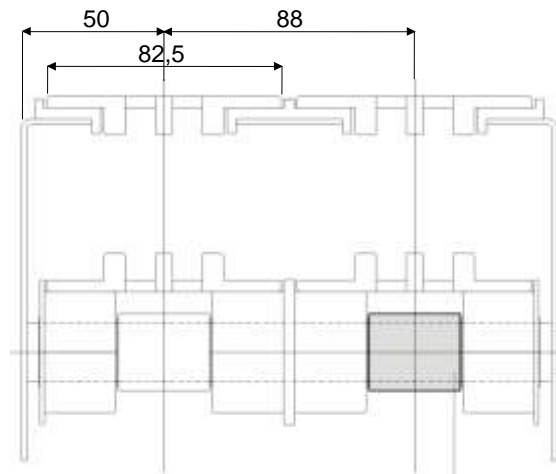
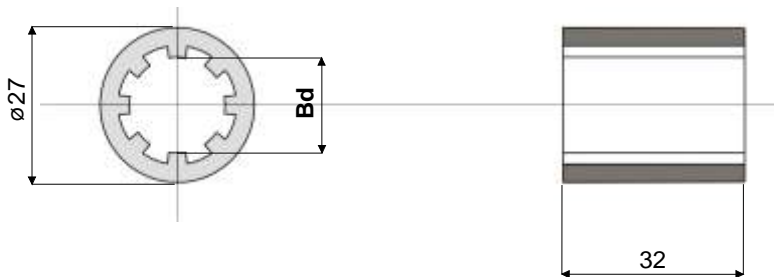
**BOX QUANTITY:** 96 pieces.

**ON REQUEST:** Rollers: special bores, other colours.  
Box quantity: According to your request.

# Spacer for rollers for chain return



Part. 275



Part.275

Example of application

Bd Bore for pin of (mm)	Code/Codice
12	275 / 82056
16	275 / 82057
18	275 / 82058
20	275 / 82059

**MATERIALS:** Black polyamide

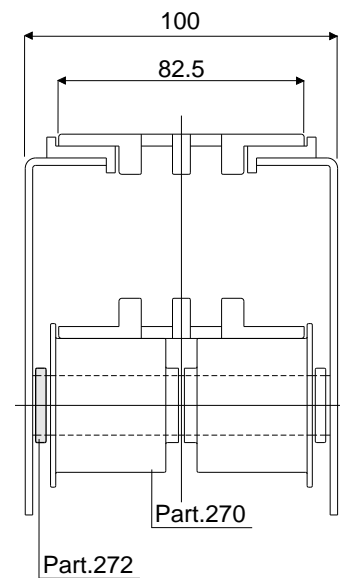
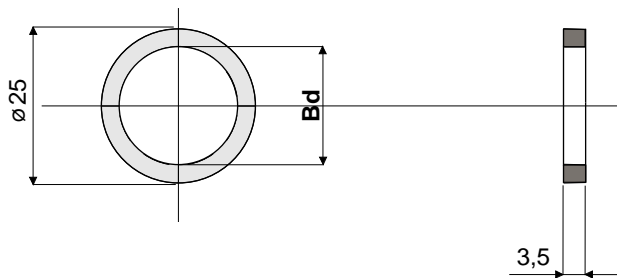
**FEATURES:** To be assembled to our roller chain return.

**BOX QUANTITY:** 96 pieces.

**ON REQUEST: Spacers:** Special bores, other colours.

**Box Quantity:** According to your request.

Part. 272



Example of application

Bd Bore for pin of (mm)	Code/Codice
15	272 / 82046
20	272 / 82047

**MATERIALS:** Black polyamide

**FEATURES:** To be assembled to our roller chain return.

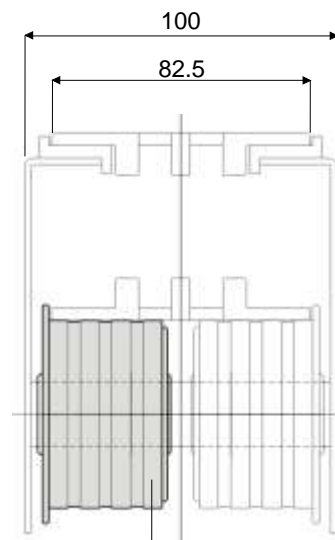
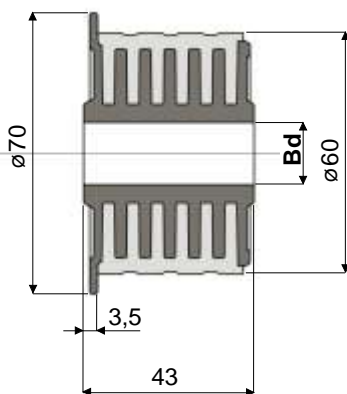
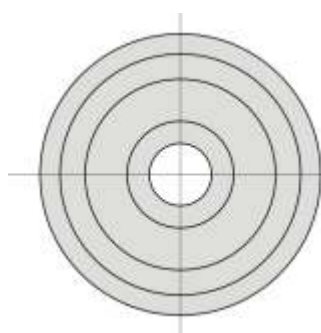
**BOX QUANTITY:** 96 pieces.

**ON REQUEST: Spacers:** Special bores, other colours.  
**Box Quantity:** According to your request.

# Roller with rubber for chain return (with flange)



Part. 249



Part.249

Example of application

Bd Bore for pin of (mm)	Code/Codice
15	249 / 82021
16	249 / 82022
18	249 / 82023
20	249 / 82024

**MATERIALS:** Internal part is made of black polyamide, external rubber is made of P.V.C. Gray 65 shore.

**FEATURES:** This roller is completely closed, total lack of internal cavities to obtain the maximum level of cleanability and noiselessness during working operations.

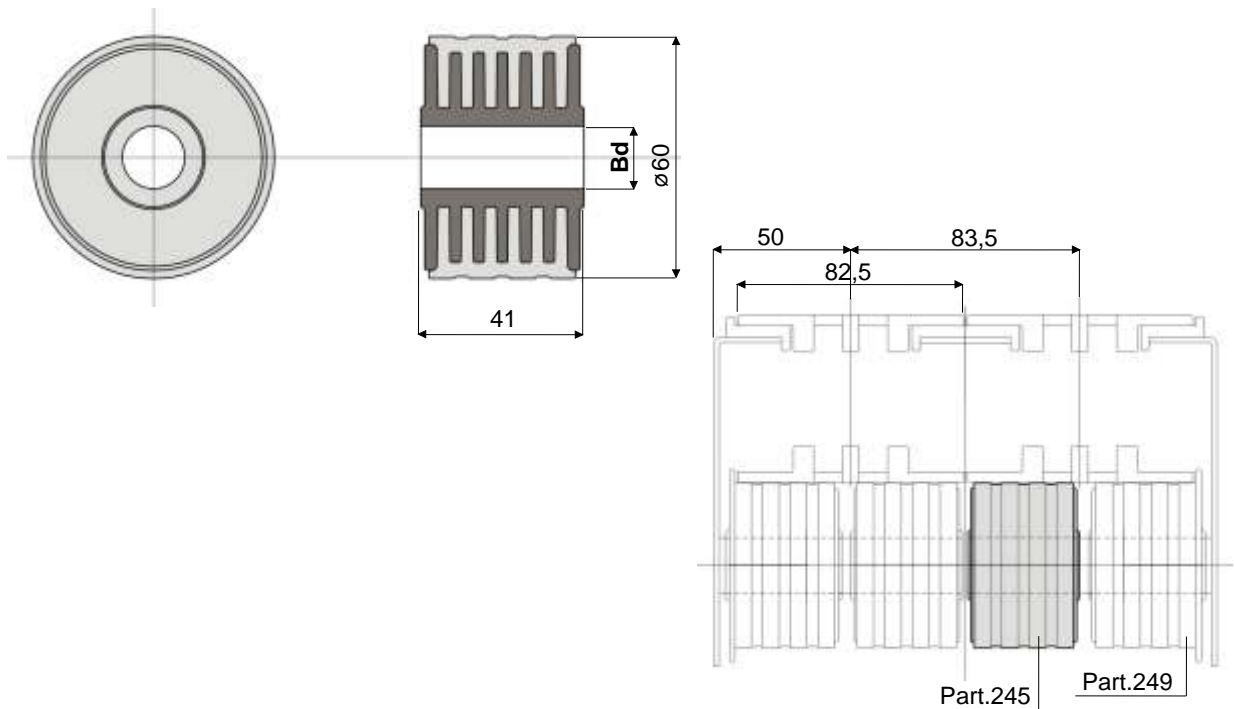
**BOX QUANTITY:** 48 pieces.

**ON REQUEST: Rollers:** Special bores, other colours.  
**Box Quantity:** According to your request.

# Roller with rubber for chain return

(without flange)

Part. 245



Example of application

Bd Bore for pin of (mm)	Code/Codice
15	245 / 82017
16	245 / 82018
18	245 / 82019
20	245 / 82020

**MATERIALS:** Internal part is made of black polyamide, external rubber is made of P.V.C. Gray 65 shore.

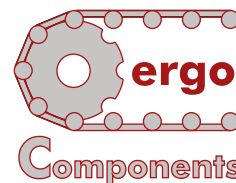
**FEATURES:** This roller is completely closed, total lack of internal cavities to obtain the maximum level of cleanability and noiselessness during working operations.

**BOX QUANTITY:** 48 pieces.

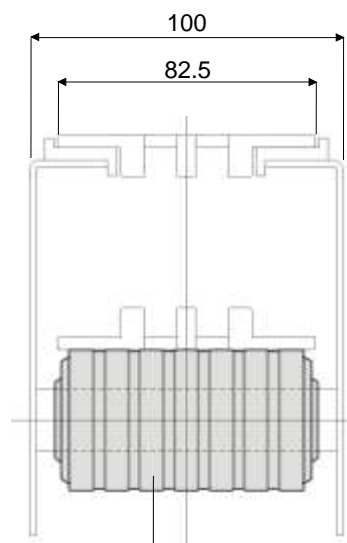
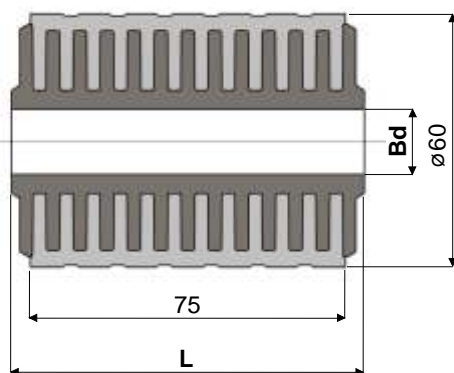
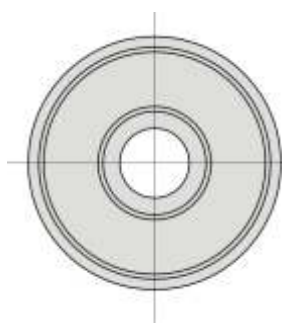
**ON REQUEST: Rollers:** Special bores, other colours.  
**Box Quantity:** According to your request.



# Roller with rubber for chain return (without flange.)



Part. 293



Part.293

Example of application

Bd Bore for pin of (mm)	L=82	L=84
	Code/Codice	Code/Codice
15	293 / 82580	293 / 82581
16	293 / 82582	293 / 82583
18	293 / 82584	293 / 82585
20	293 / 82586	293 / 82587

**MATERIALS:** Internal part is made of black polyamide, external rubber is made of P.V.C 65 shore.

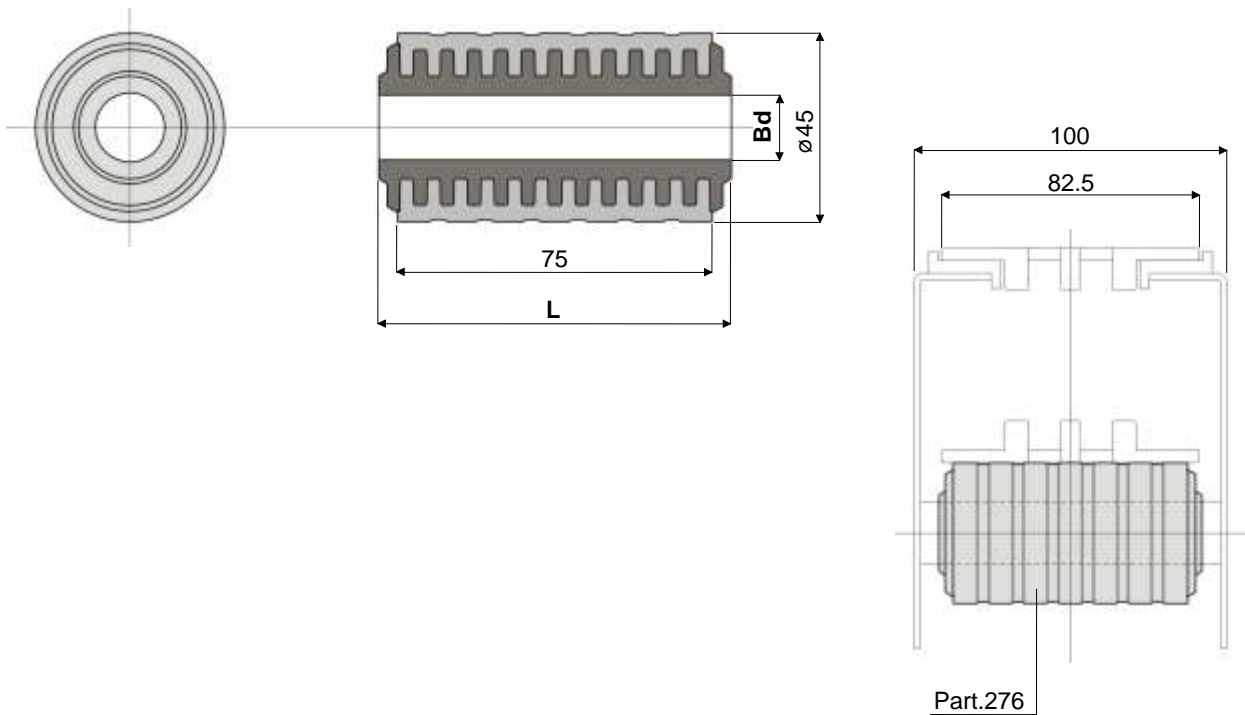
**FEATURES:** This roller is completely closed, total lack of internal cavities to obtain the maximum level of cleanability and noiselessness during working operations.

**BOX QUANTITY:** 48 pieces.

**ON REQUEST:** Rollers: special bores, other colours.  
Box quantity: According to your request.

# Roller with rubber for chain return (without flange)

Part. 276



Example of application

Bd Bore for pin of (mm)	L=82	L=84
	Code/Codice	Code/Codice
15	276 / 82060	276 / 82061
16	276 / 82062	276 / 82063
18	276 / 82064	276 / 82065
20	276 / 82066	276 / 82067

**MATERIALS:** Internal part is made of black polyamide, external rubber is made of P.V.C. Gray 65 shore.

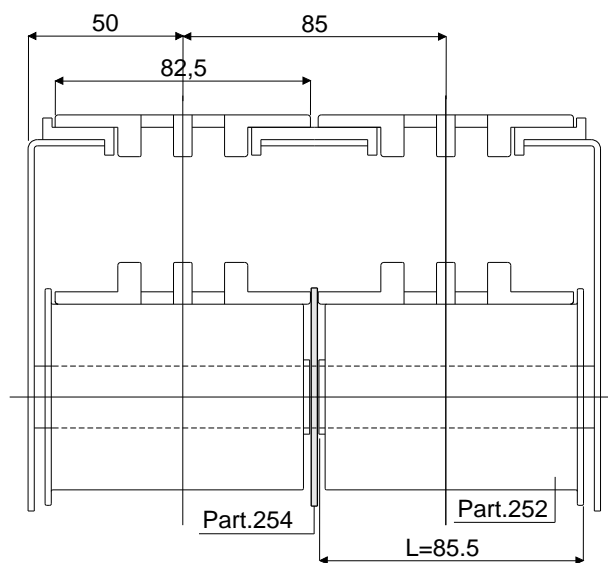
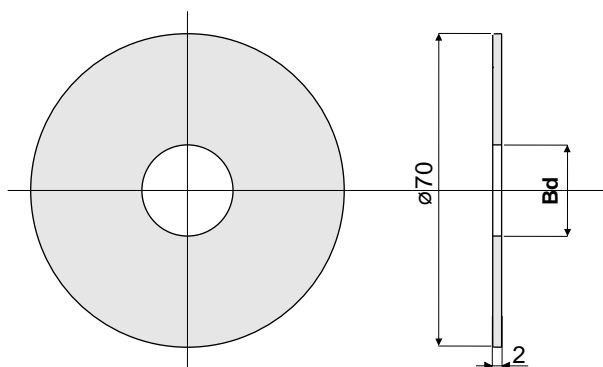
**FEATURES:** This roller is completely closed, total lack of internal cavities to obtain the maximum level of cleanability and noiselessness during working operations.

**BOX QUANTITY:** 48 pieces.

**ON REQUEST: Rollers:** Special bores, other colours.  
**Box Quantity:** According to your request.

# Flange for chain guide

(for roller Part.251; 252; 253 and 245 )



Example of application

Bd Bore for pin of (mm)	Code/Codice
12	254 / 82630
14	254 / 82264
15	254 / 82251
16	254 / 82252
18	254 / 82253
20	254 / 82254

**MATERIALS:** Polypropylene black colour.

**Features:** To be assembled to our roller for chain return Part.251; 252; 253 and 245

**BOX QUANTITY:** 96 pieces.

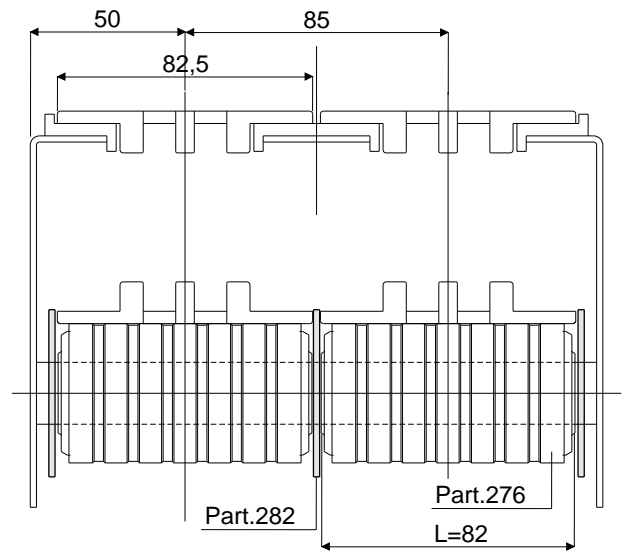
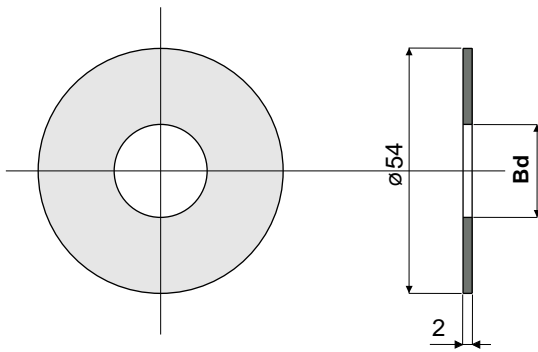
**ON REQUEST :Flange:** Special bores, other colours.

**Box Quantity:** According to your request.

# Flange for chain guide

(for roller with rubber Part.276)

Part. 282



Example of application

Bd Bore for pin of (mm)	Code/Codice
15	282 / 82154
16	282 / 82155
18	282 / 82156
20	282 / 82157

**MATERIALS:** Polypropylene black colour.

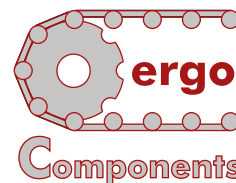
**Features:** To be assembled to our roller for chain return Part.276

**BOX QUANTITY:** 96 pieces.

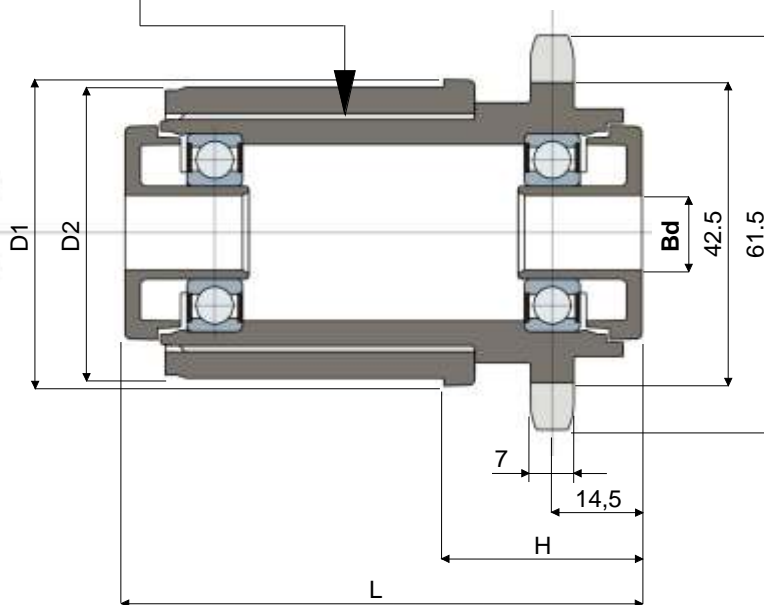
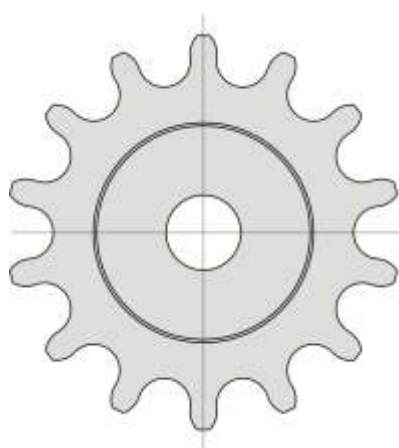
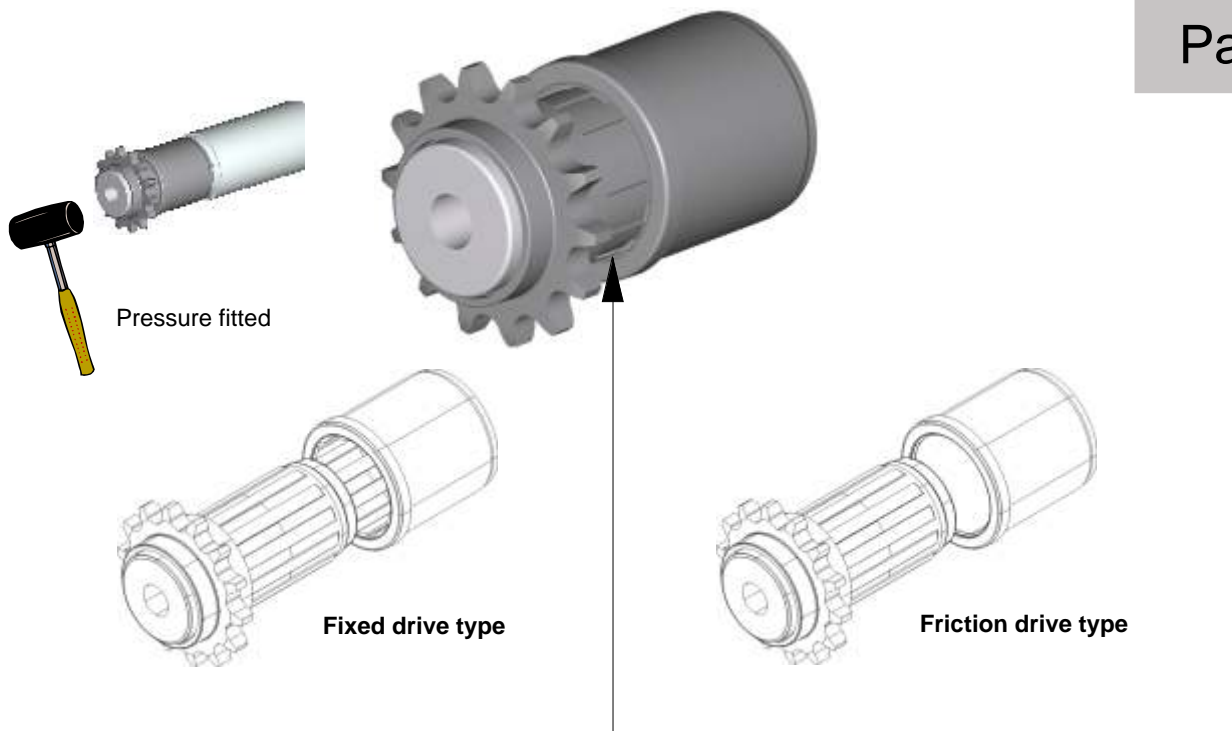
**ON REQUEST :Flange:** Special bores, other colours.

**Box Quantity:** According to your request.

# Bearing support for conveyor rollers (For drive roller.)



Part. 264



Tube dimensions			D1 mm	D2 mm	H mm	L mm	bore for pin of Bd mm	Fixed drive type	Friction drive type	Bearing Type
outside dia mm	Thickness mm	inside dia mm						Code/Codice	Code/Codice	
50	1,5	47	50	47	32	83	12 14	264 / 82033	264 / 82217	6002-2RS
								264 / 82215	264 / 82218	

**MATERIALS:** Internal part is made of grey polyamide, external bushing is made of black polyamide, bearing is made of chrome steel

**FEATURES:** To be inserted in the tube sides to build a roller conveyor. Drive sprocket with 14 teeth for roller chain type DIN 8187-08-b1

**BOX QUANTITY:** 24 pieces.

**ON REQUEST:** Bearing support: other colours, bores with different sizes.  
Box quantity: According to your request

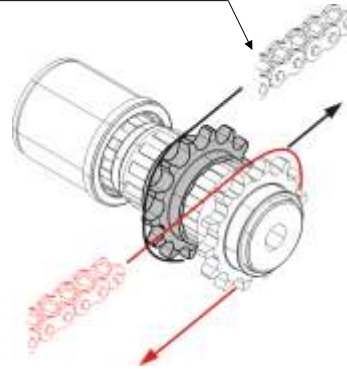
# 14 teet sprocket

(For bearing support Part.264 )

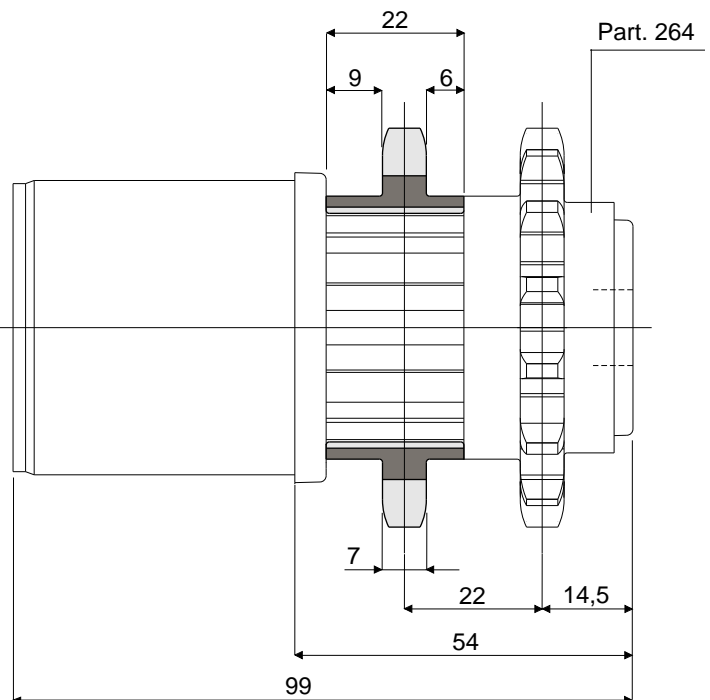
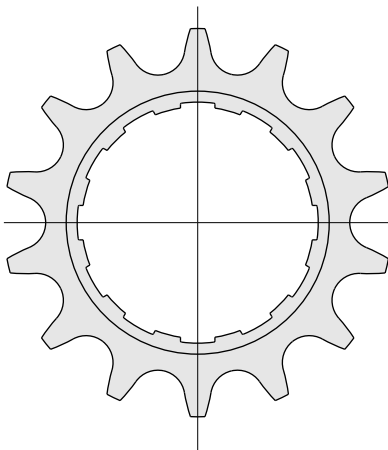
Part. 265



Roller chain type DIN 8187 08-B1



Example of assembly



Code/Codice

265 / 82034

**MATERIALS:** Drive sprocket is made of black polyamide.

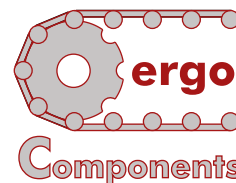
**FEATURES:** Accessory to be used with bearing support part.264 to make the drive roller to roller. This drive type allows a greater torque.

**BOX QUANTITY:** 24 pieces.

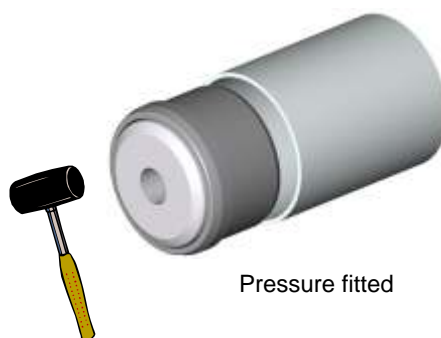
**ON REQUEST :** Sprockets: other colours. Box quantity: According to your request.

# Bearing support for conveyor rollers

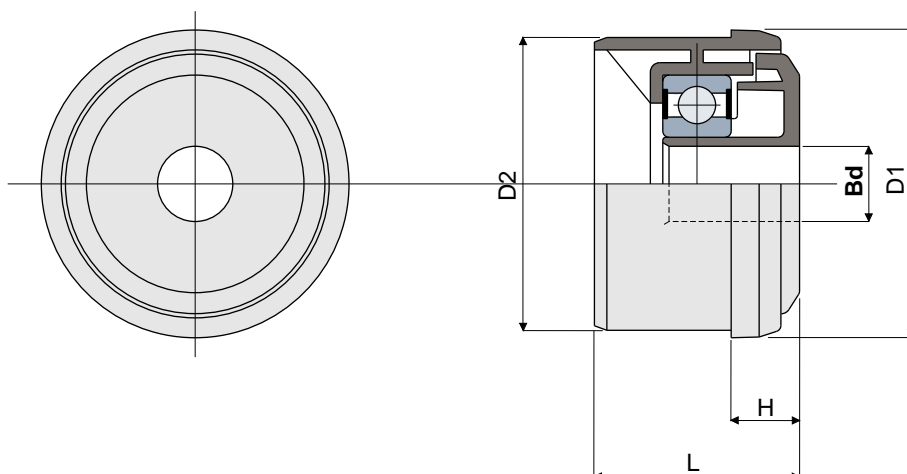
(For idler roller )



Part. 263



Pressure fitted



Tube dimensions			D1 mm	D2 mm	H mm	L mm	Bore for pin of Bd mm	Code/Codice	Bearing Type
outside dia. mm	Thickness mm	inside dia. mm							
50	1,5	47	50	47	11	30	12	263 / 82032	6202-2RS
							14	263 / 82256	

**MATERIALS:** Internal part is made of grey polyamide, external bushing is made of black polyamide, bearing is made of chrome steel

**FEATURES:** To be inserted in the tube sides to build a roller conveyor

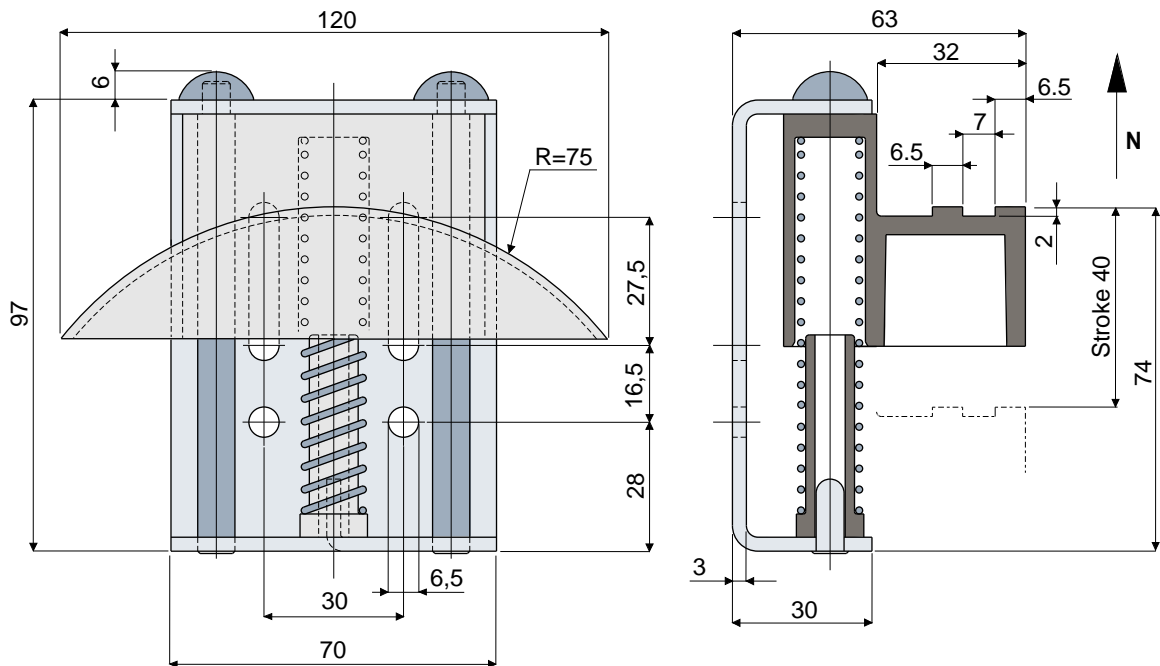
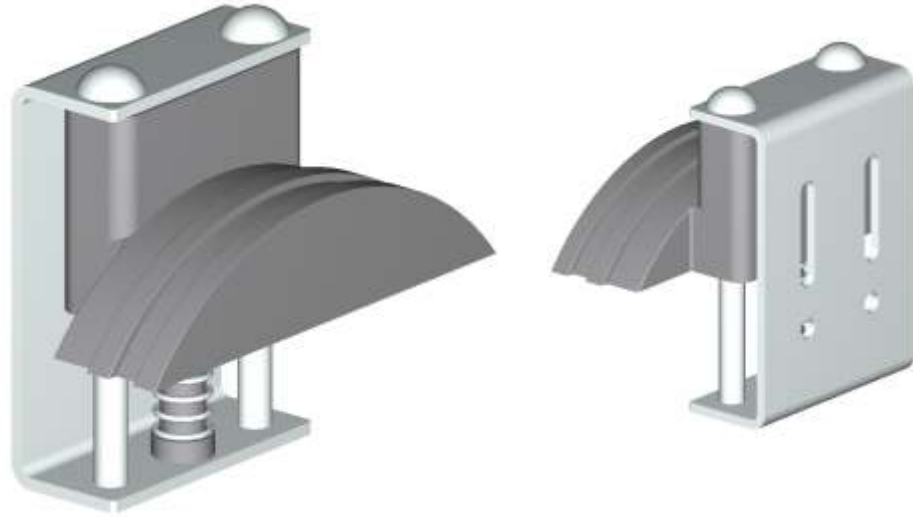
**BOX QUANTITY:** 24 pieces.

**ON REQUEST:** Bearing support: other colours, bores with different sizes.  
Box quantity: According to your request

# Chain tensioner with sliding shoe

(For roller chain type DIN 8187 08-B1 and 08-B2)

Part. 277



<b>Code/Codice</b>	Tension load	
	Min	Max
<b>277 / 82068</b>	60	110

**MATERIALS:** External part, pin and spring are made of zinc plated steel. Sliding shoe and spring guide are made of black polyamide.

**FEATURES:** To be assembled in the transmissions with roller chain to stretch it.

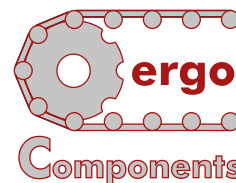
**BOX QUANTITY:** 12 pieces.

**ON REQUEST:** Sliding shoe: different shapes for different chains, other materials and colours.  
Box quantity: According to your request.

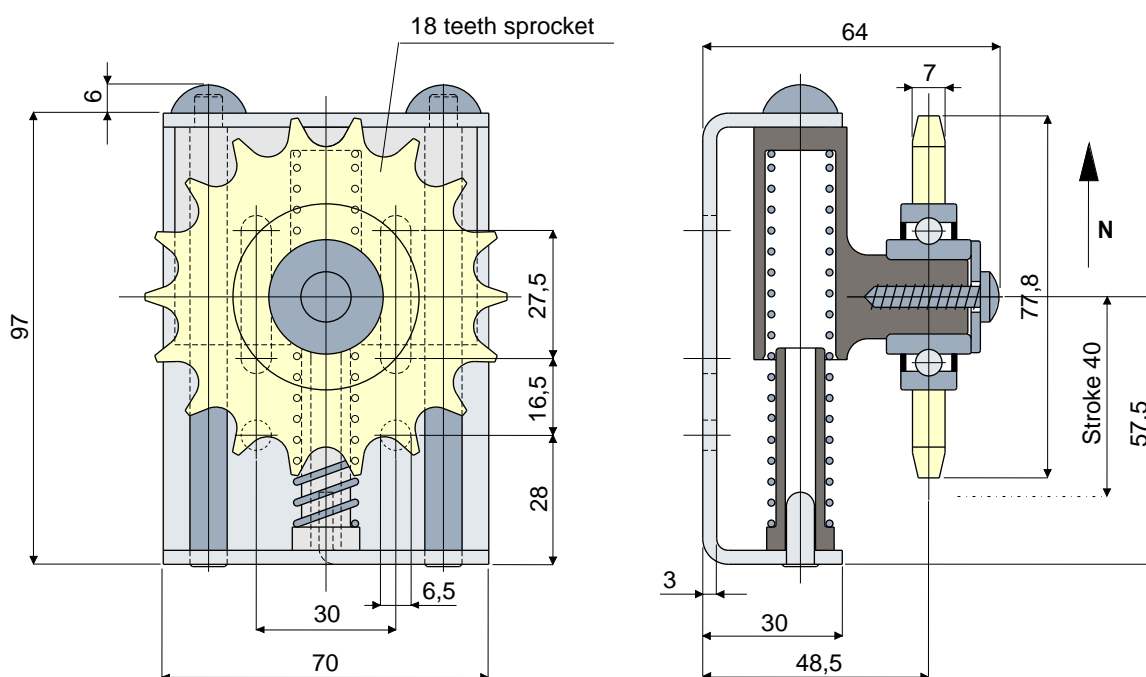
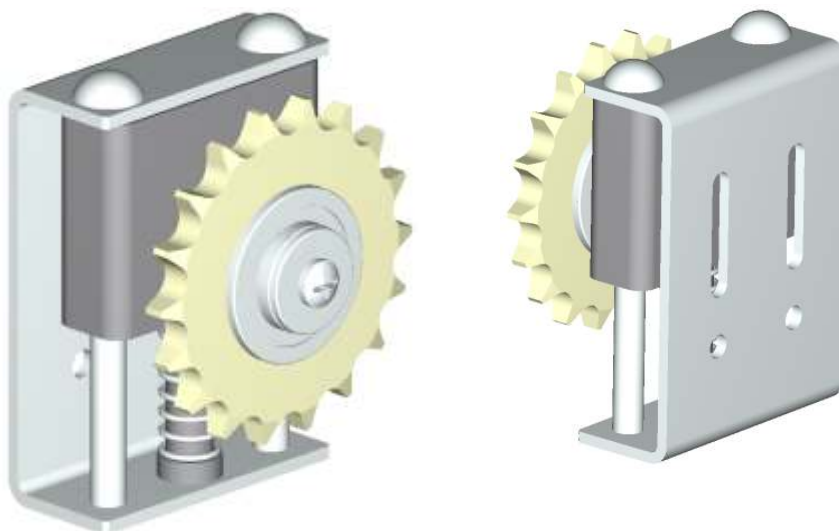


# Chain tensioner with sprocket

(for roller chain type DIN 8187 08-B1)



Part. 278



<b>Code/Codice</b>	Tension load (N)	
	Min	Max
<b>278 / 82069</b>	60	110

**MATERIALS:** External part, sprocket, pins and spring are made of zinc plated steel. Cursor and spring guide are made of black polyamide.

**FEATURES:** To be applied in the transmissions with roller chain to stretch it.

**BOX QUANTITY:** 12 pieces.

**ON REQUEST:** Sprocket: with other number of teeth Box quantity: According to your request.