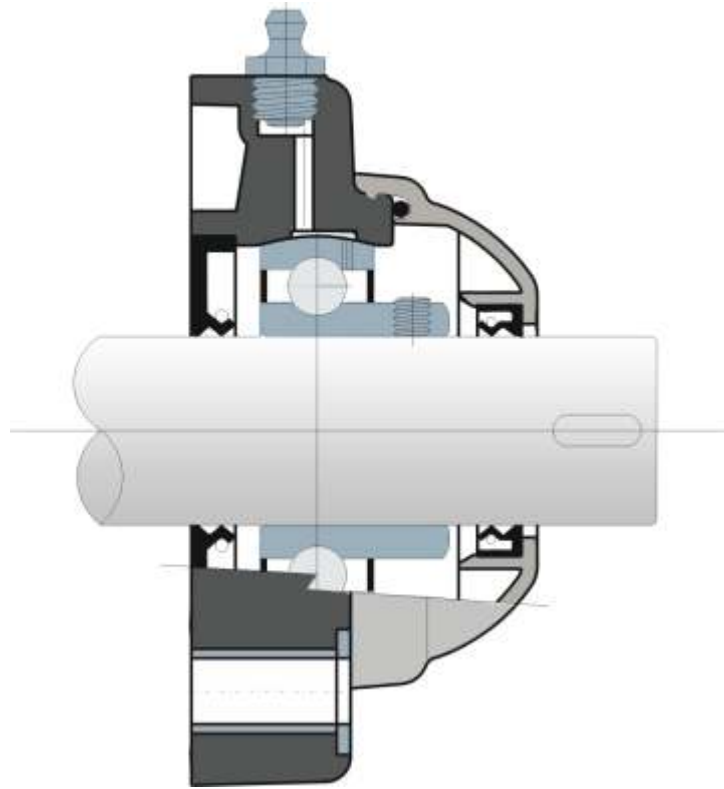




Self-aligning bearing supports



Parts index

SERIE UCF/C	Pag 103	SERIE UCF/CA	Pag 111
SERIE MUCF/C	Pag 103	SERIE UCF/CXA	Pag 113
SERIE UCF/CX	Pag 105	SERIE UCFL/C	Pag 115
SERIE MUCF/CX	Pag 105	SERIE UCFL/CX	Pag 117
SERIE UCF	Pag 107	SERIE UCFL	Pag 119
SERIE MUCF	Pag 107	SERIE UCFL/CS	Pag 121
SERIE UCF/CS	Pag 109		
SERIE MUCF/CS	Pag 109		

Contents



SERIE UCF/C Pag 103
SERIE MUCF/C Pag 103



SERIE UCFL/C Pag 115



SERIE UCF/C Pag 103
SERIE MUCF/C Pag 103



SERIE UCFL/C Pag 115



SERIE UCF/CX Pag 105
SERIE MUCF/CX Pag 105
SERIE UCF Pag 107
SERIE MUCF Pag 107
SERIE UCF/CS Pag 109
SERIE MUCF/CS Pag 109



SERIE UCFL/CX Pag 117
SERIE UCFL Pag 119
SERIE UCFL/CS Pag 121



SERIE UCF/CA Pag.111



SERIE UCF/CXA Pag 113

PRODUCT DESCRIBED IN THIS CATALOGUE ARE PATENTED.

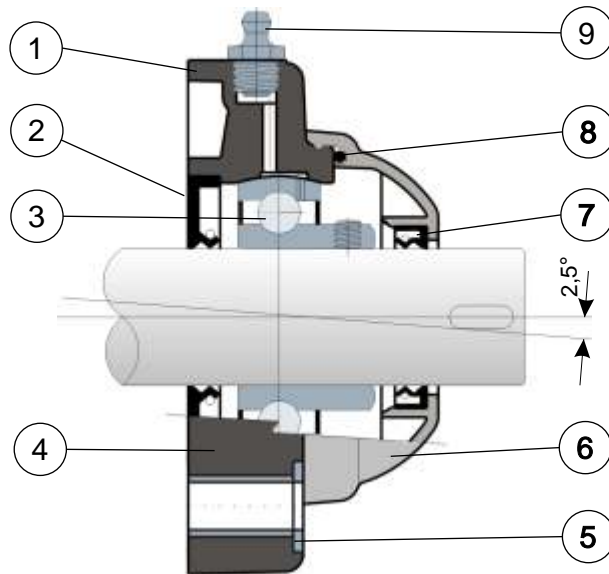


Square flanged Bearing supports

Serie UCF/C



Full protection of bearing



- 1) Support body made out of polyamide reinforced with glass fibers.
- 2) Back gasket made out of NBR rubber for turning shaft seal.
- 3) Chrome steel or Stainless steel bearing AISI 440C
- 4) Spacer for fixing reinforcement made out of stainless steel AISI 304.
- 5) UNI 6592 support washer made out of stainless steel AISI 304.
- 6) Protection cover made out of polypropylene.(Grey colour Ral 7042.)
- 7) Front gasket made out of NBR rubber for turning shaft seal.
- 8) OR gasket made out of NBR rubber.
- 9) Greaser for relubrication made out of nickel-plated brass.

Support dimensions respect **ISO 3228** set of rules.

Maximum shaft alignment error 2,5°

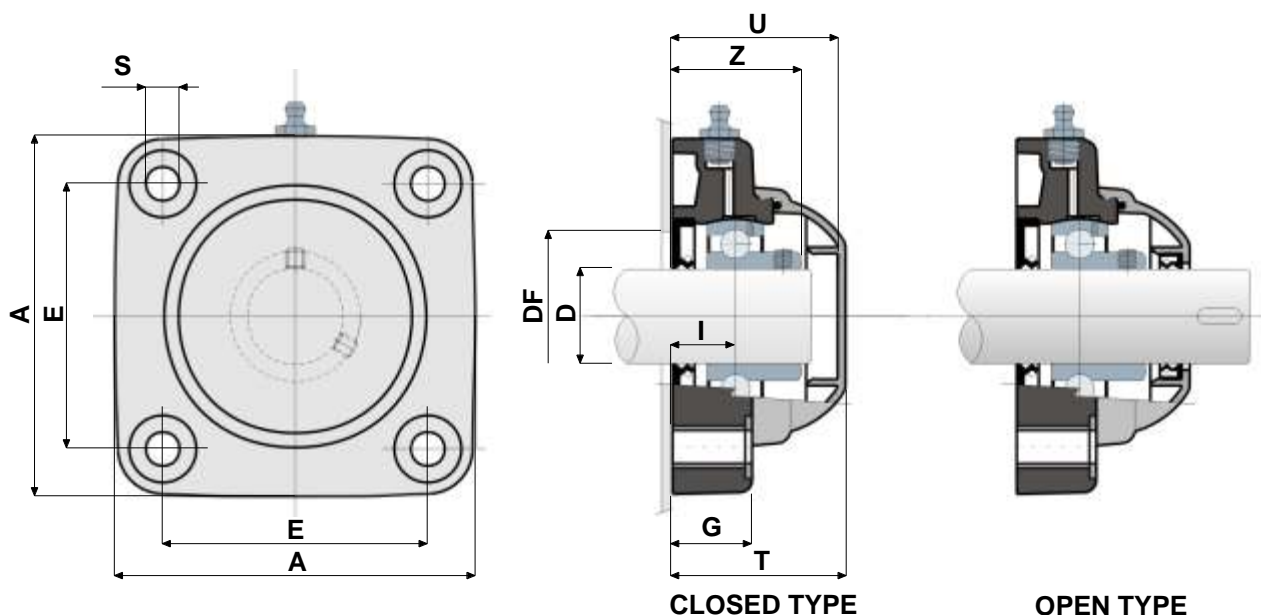
For further information please contact our technical office or sales department.

Square flanged Bearing supports

Technical data



Serie UCF/C



CHROME STEEL BEARING

D	SERIES	CODES		DIMENSIONS (mm)										Bearing load (N)		Bearing support load (N)
		CLOSED TYPE	OPEN TYPE	E	A	S	G	I	Z	U	T	DF		C	C ₀	
												Max	Min			
20	UCF 204 C	80248	80249	63.5	90	10.5	19	15.5	33.5	44	46.5	45	40	12800	6600	16500
25	UCF 205 C	80057	80060	70	99	10.5	22	17	36	47	49	50	45	14000	7800	17000
30	UCF 206 C	80009	80005	83	113	10.5	26	20	41	54	56	60	50	19500	11300	17500
35	UCF 207 C	80058	80061	92	122	10.5	26	20	45	57	59	70	55	25500	15300	18000
40	UCF 208 C	80250	80251	102	133	10.5	26	19.5	48.5	65	68	78	65	32500	19800	18000
40	MUCF 208 C	80697	80699	83	113	10.5	26	19.5	48.5	65	68	78	65	32500	19800	18000

STAINLESS STEEL BEARING AISI 440C

D	SERIES	CODES		DIMENSIONS (mm)										Bearing load (N)		Bearing support load (N)
		CLOSED TYPE	OPEN TYPE	E	A	S	G	I	Z	U	T	DF		C	C ₀	
												Max	Min			
20	UCF 204 C	80400	80448	63.5	90	10.5	19	15.5	33.5	44	46.5	45	40	8300	6550	16500
25	UCF 205 C	80445	80449	70	99	10.5	22	17	36	47	49	50	45	9150	7800	17000
30	UCF 206 C	80378	80377	83	113	10.5	26	20	41	54	56	60	50	12500	11200	17500
35	UCF 207 C	80446	80450	92	122	10.5	26	20	45	57	59	70	55	16600	15300	18000
40	UCF 208 C	80447	80451	102	133	10.5	26	19.5	48.5	65	68	78	65	20000	19000	18000
40	MUCF 208 C	81057	81058	83	113	10.5	26	19.5	48.5	65	68	78	65	20000	19000	18000

MATERIALS : Support made of PA+glass fiber; chrome steel or stainless steel bearing; greaser made of nickel plated brass; reinforcement bushings and washers made of stainless steel AISI 304; gaskets made of NBR rubber; cover made of polypropylene, grey colour RAL 7042.

FEATURES: Full protection of bearing against external agents. Assembly with not shouldered shafts. Maximum shaft alignment error 2.5°.

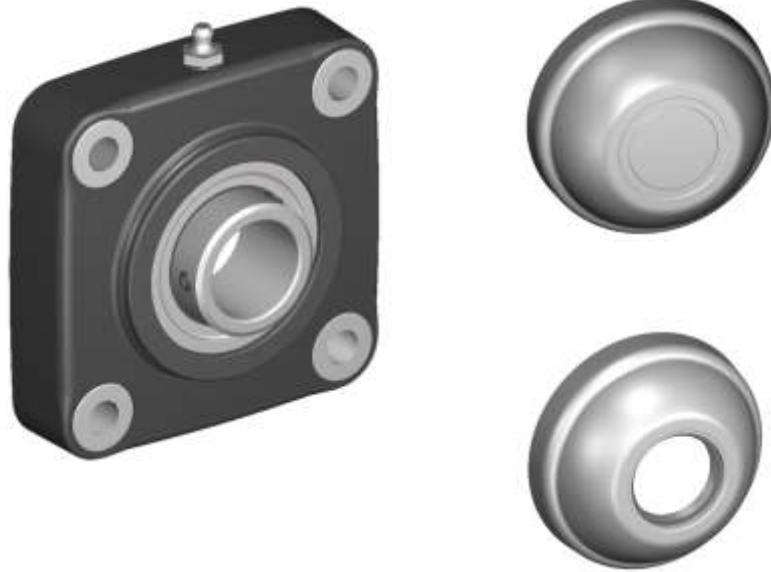
BOX QUANTITY: 8 pieces.

ON REQUEST : Antibacterial executions and versions with polypropylene + glass fiber support; protection cover in different colours and with personalized brand.

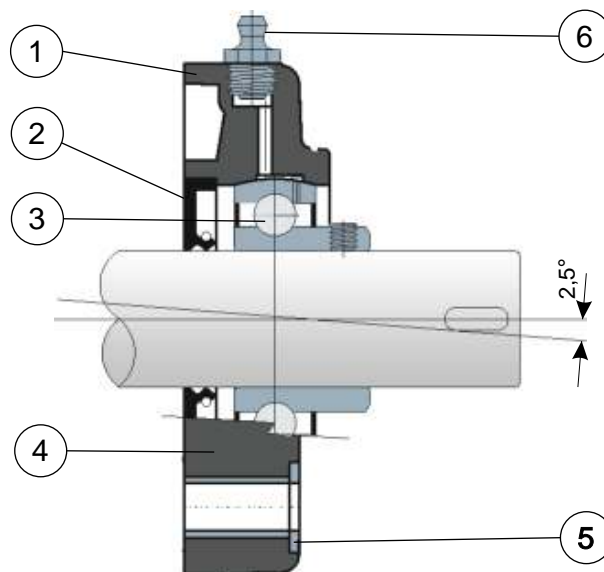


Square flanged Bearing supports

Serie UCF/CX



Without protection cover



- 1) Support body made out of polyamide reinforced with glass fibers.
- 2) Back gasket made out of NBR rubber for turning shaft seal.
- 3) Chrome steel or stainless steel bearing AISI 440C
- 4) Spacer for fixing reinforcement made out of stainless steel AISI 304.
- 5) UNI 6592 support washer made out of stainless steel AISI 304.
- 6) Greaser for relubrication made out of nickel-plated brass.

NOTE. The only difference from UCF/C series is lack of protection cover, which can be ordered separately as an accessory.

Support dimensions respect **ISO 3228** set of rules.

Maximum shaft alignment error 2,5°

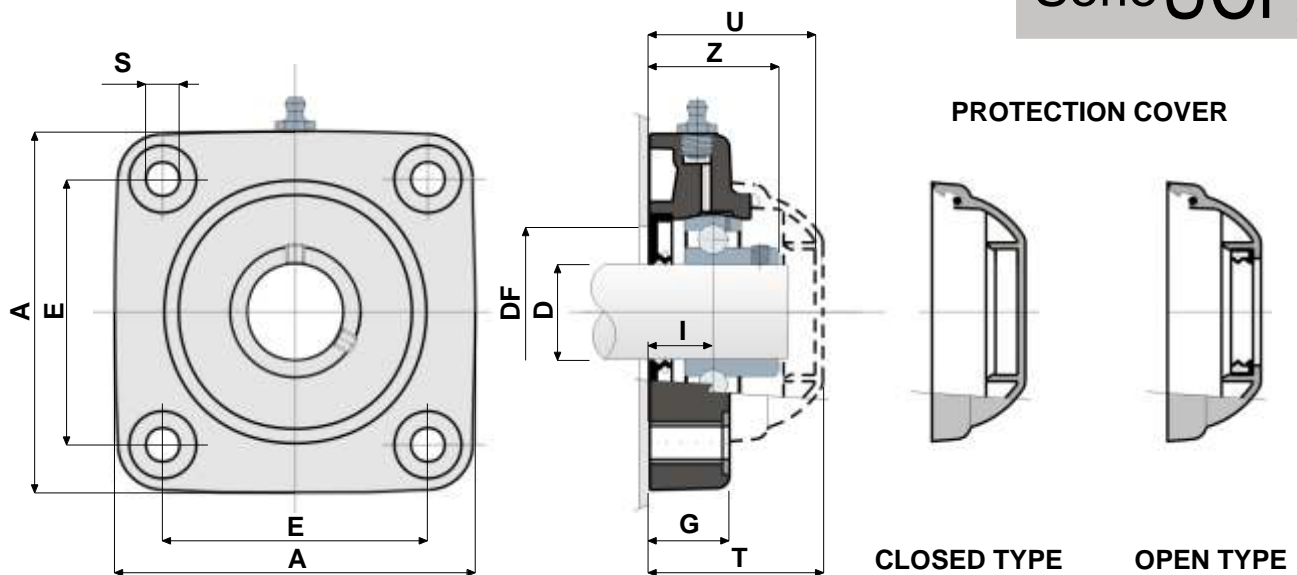
For further information please contact our technical office or sales department.

Square flanged Bearing supports

Technical data



Serie UCF/CX



CHROME STEEL BEARING

D	SERIES	CODES Support	DIMENSIONS (mm)											Bearing load (N)		Bearing support load (N)		CODES Cover	
			E	A	S	G	I	Z	U	T	DF		C	C ₀	C	C ₀	CLOSED TYPE	OPEN TYPE	
											Max	Min							
20	UCF 204 CX	80252	63.5	90	10.5	19	15.5	33.5	44	46.5	45	40	12800	6600	16500	80254	80255		
25	UCF 205 CX	80175	70	99	10.5	22	17	36	47	49	50	45	14000	7800	17000	80075	80076		
30	UCF 206 CX	80176	83	113	10.5	26	20	41	54	56	60	50	19500	11300	17500	80011	80053		
35	UCF 207 CX	80177	92	122	10.5	26	20	45	57	59	70	55	25500	15300	18000	80077	80078		
40	UCF 208 CX	80253	102	133	10.5	26	19.5	48.5	65	68	78	65	32500	19800	18000	80256	80257		
40	MUCF 208 CX	80701	83	113	10.5	26	19.5	48.5	65	68	78	65	32500	19800	18000	80256	80257		

STAINLESS STEEL BEARING AISI 440C

D	SERIES	CODES Support	DIMENSIONS (mm)											Bearing load (N)		Bearing support load (N)		CODES Cover	
			E	A	S	G	I	Z	U	T	DF		C	C ₀	C	C ₀	CLOSED TYPE	OPEN TYPE	
											Max	Min							
20	UCF 204 CX	81047	63.5	90	10.5	19	15.5	33.5	44	46.5	45	40	8300	6550	16500	80254	80255		
25	UCF 205 CX	81049	70	99	10.5	22	17	36	47	49	50	45	9150	7800	17000	80075	80076		
30	UCF 206 CX	81050	83	113	10.5	26	20	41	54	56	60	50	12500	11200	17500	80011	80053		
35	UCF 207 CX	81051	92	122	10.5	26	20	45	57	59	70	55	16600	15300	18000	80077	80078		
40	UCF 208 CX	80561	102	133	10.5	26	19.5	48.5	65	68	78	65	20000	19000	18000	80256	80257		
40	MUCF 208 CX	81043	83	113	10.5	26	19.5	48.5	65	68	78	65	20000	19000	18000	80256	80257		

MATERIALS : Support made out of PA+glass fiber; chrome steel or stainless steel bearing; greaser made out of nickel plated brass; reinforcement bushings and washers made out of stainless steel AISI 304; gaskets made out of NBR rubber; cover made out of polypropylene, grey colour RAL 7042.

FEATURES: The difference from UCF/C series is lack of protection cover which can be ordered separately as an accessory. Assembly with not shouldered shafts. Maximum shaft alignment error 2.5°.

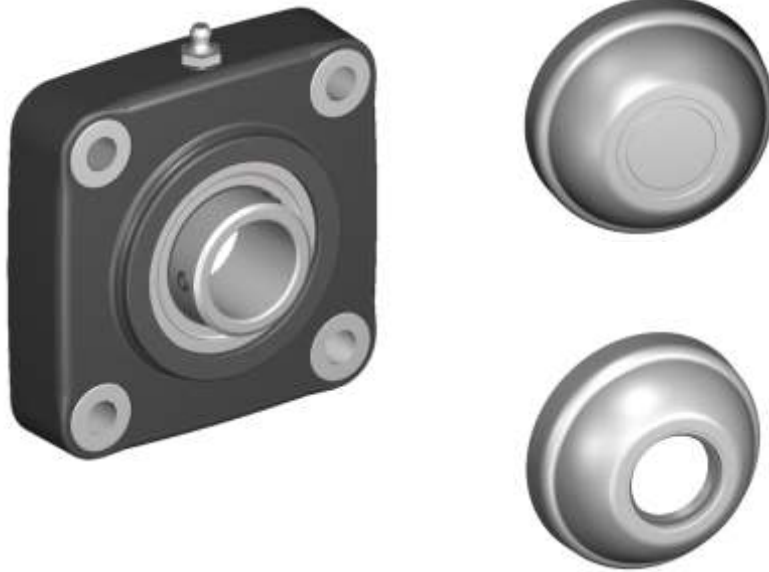
BOX QUANTITY: 8 pieces.

ON REQUEST : Antibacterial executions and versions with polypropylene + glass fiber support; protection cover in different colours and with personalized brand.

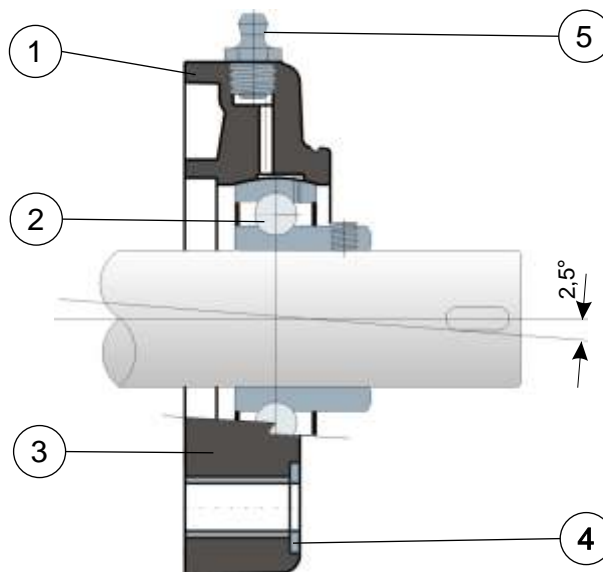


Square flanged Bearing supports

Serie UCF



Without cover and back gasket



- 1) Support body made out of polyamide reinforced with glass fibers.
- 2) Chrome steel or stainless steel bearing AISI 440C
- 3) Spacer for fixing reinforcement made out of stainless steel AISI 304.
- 4) UNI 6592 support washer made out of stainless steel AISI 304.
- 5) Greaser for relubrication made out of nickel-plated brass.

NOTE. The only difference from UCF/C series is lack of protection cover, which can be ordered separately as an accessory; and back gasket.

Support dimensions respect **ISO 3228** set of rules.

Maximum shaft alignment error 2,5°

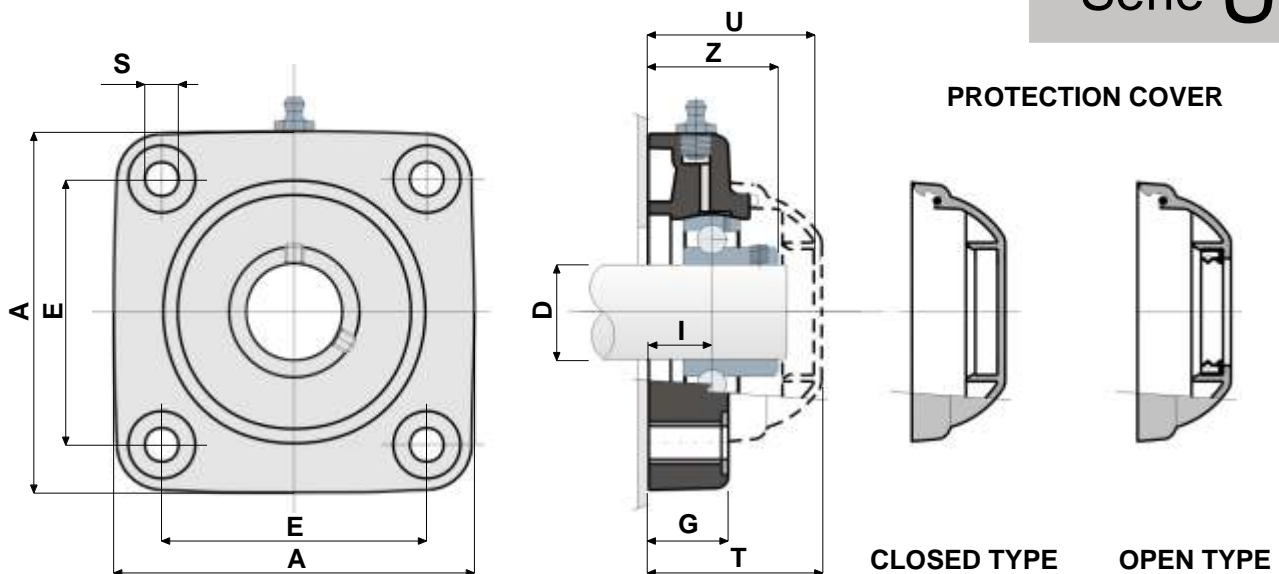
For further information please contact our technical office or sales department.

Square flanged Bearing supports

Technical data



Serie UCF



CHROME STEEL BEARING

D	SERIES	CODES Support	DIMENSIONS (mm)								Bearing load (N)		Bearing support load (N)	CODES Cover	
			E	A	S	G	I	Z	U	T	C	C ₀		CLOSED TYPE	OPEN TYPE
20	UCF 204	80258	63.5	90	10.5	19	15.5	33.5	44	46.5	12800	6600	16500	80254	80255
25	UCF 205	80054	70	99	10.5	22	17	36	47	49	14000	7800	17000	80075	80076
30	UCF 206	80010	83	113	10.5	26	20	41	54	56	19500	11300	17500	80011	80053
35	UCF 207	80055	92	122	10.5	26	20	45	57	59	25500	15300	18000	80077	80078
40	UCF 208	80259	102	133	10.5	26	19.5	48.5	65	68	32500	19800	18000	80256	80257
40	MUCF 208	80712	83	113	10.5	26	19.5	48.5	65	68	32500	19800	18000	80256	80257

STAINLESS STEEL BEARING AISI 440C

D	SERIES	CODES Support	DIMENSIONS (mm)								Bearing load (N)		Bearing support load (N)	CODES Cover	
			E	A	S	G	I	Z	U	T	C	C ₀		CLOSED TYPE	OPEN TYPE
20	UCF 204	80514	63.5	90	10.5	19	15.5	33.5	44	46.5	8300	6550	16500	80254	80255
25	UCF 205	80515	70	99	10.5	22	17	36	47	49	9150	7800	17000	80075	80076
30	UCF 206	80976	83	113	10.5	26	20	41	54	56	12500	11200	17500	80011	80053
35	UCF 207	81052	92	122	10.5	26	20	45	57	59	16600	15300	18000	80077	80078
40	UCF 208	80695	102	133	10.5	26	19.5	48.5	65	68	20000	19000	18000	80256	80257
40	MUCF 208	81045	83	113	10.5	26	19.5	48.5	65	68	20000	19000	18000	80256	80257

MATERIALS : Support made out of PA+glass fiber; chrome steel or stainless steel bearing; greaser made out of nickel plated brass; reinforcement bushings and washers made out of stainless steel AISI 304; gaskets made out of NBR rubber; cover made out of polypropylene, grey colour RAL 7042.

FEATURES: The difference from UCF/C series is lack of protection cover which can be ordered separately as an accessory; and back gasket. Assembly with shouldered and not shouldered shafts. Maximum shaft alignment error 2.5°.

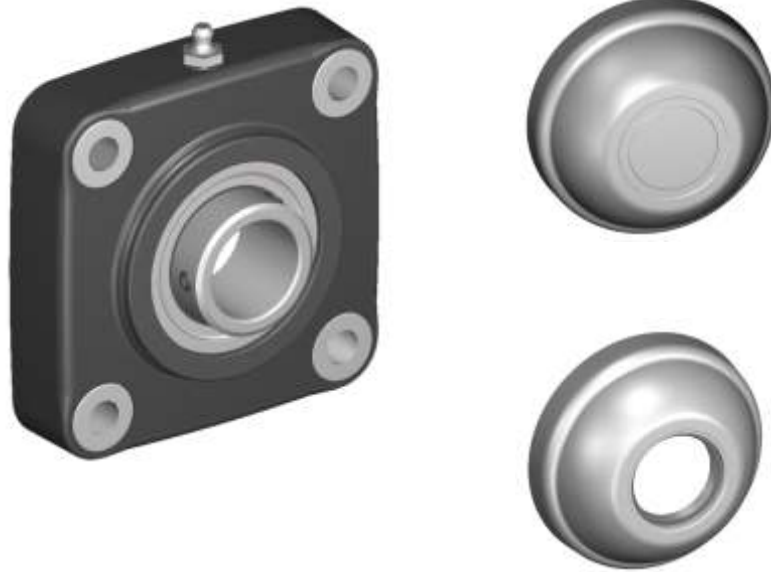
BOX QUANTITY: 8 pieces.

ON REQUEST : Antibacterial executions and versions with polypropylene + glass fiber support; protection cover in different colours and with personalized brand.

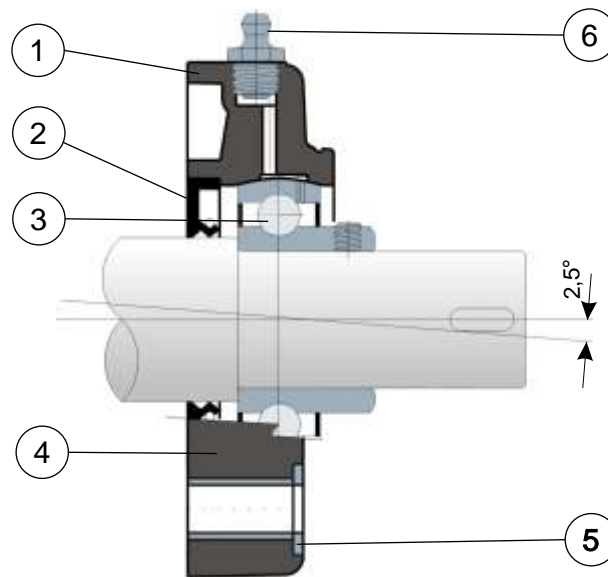


Square flanged Bearing supports

Serie UCF/CS



Back gasket for shouldered shaft



- 1) Support body made out of polyamide reinforced with glass fibers.
- 2) Back gasket made out of NBR rubber for turning shaft seal.
- 3) Chrome steel or stainless steel bearing AISI 440C
- 4) Spacer for fixing reinforcement made out of stainless steel AISI 304.
- 5) UNI 6592 support washer made out of stainless steel AISI 304.
- 6) Greaser for relubrication made out of nickel-plated brass.

Support dimensions respect **ISO 3228** set of rules.

Maximum shaft alignment error 2,5°

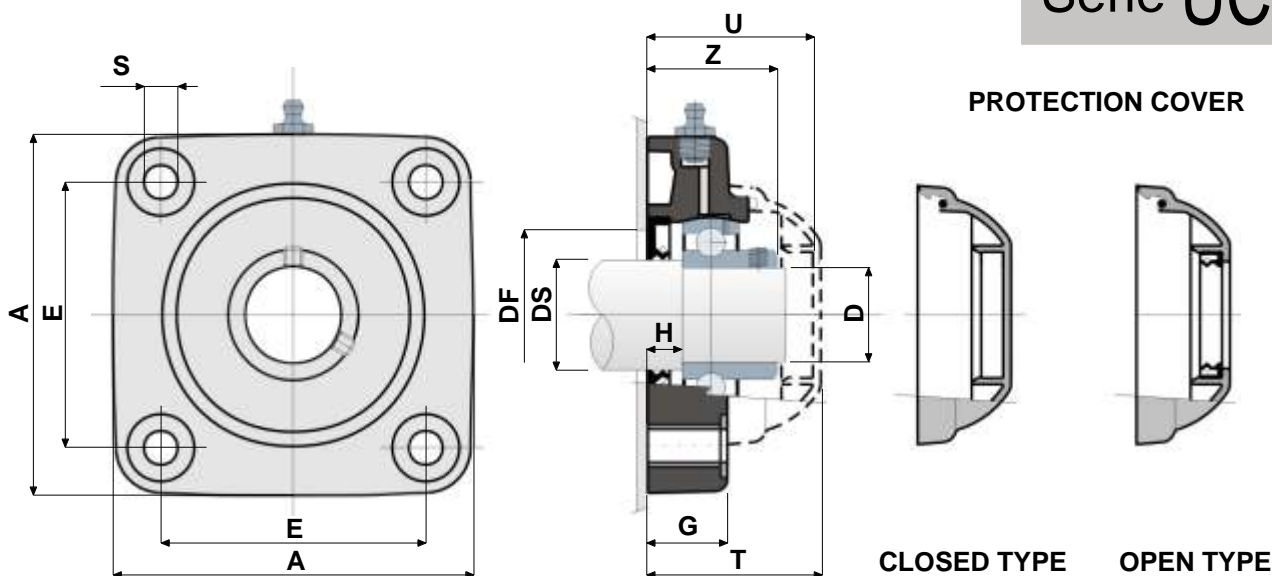
For further information please contact our technical office or sales department.

Square flanged Bearing supports

Technical data



Serie UCF/CS



CHROME STEEL BEARING

DS	D	SERIES	CODES Support	DIMENSIONS (mm)										Bearing load (N)		Bearing support load (N)	CODES Cover	
				E	A	S	G	H	Z	U	T	DF _{Max}	DF _{Min}	C	C ₀		CLOSED TYPE	OPEN TYPE
25	20	UCF 204 CS	80260	63.5	90	10.5	19	8.5	33.5	44	46.5	45	40	12800	6600	16500	80254	80255
30	25	UCF 205 CS	80178	70	99	10.5	22	10	36	47	49	50	45	14000	7800	17000	80075	80076
35	30	UCF 206 CS	80179	83	113	10.5	26	11.5	41	54	56	60	50	19500	11300	17500	80011	80053
40	35	UCF 207 CS	80180	92	122	10.5	26	10.5	45	57	59	70	55	25500	15300	18000	80077	80078
45	40	UCF 208 CS	80261	102	133	10.5	26	9	48.5	65	68	78	65	32500	19800	18000	80256	80257
45	40	MUCF 208 CS	80713	83	113	10.5	26	9	48.5	65	68	78	65	32500	19800	18000	80256	80257

MATERIALS : Support made out of PA+glass fiber; chrome steel bearing; greaser made out of nickel plated brass; reinforcement bushings and washers made out of stainless steel AISI 304; gaskets made out of NBR rubber; cover made out of polypropylene, grey colour RAL 7042.

FEATURES: Back gasket for shouldered shafts. Use of shouldered shafts allows a higher capability of axial load.
Maximum shaft alignment error 2.5°.

BOX QUANTITY: 8 pieces.

ON REQUEST : Antibacterial executions and versions with polypropylene + glass fiber support; protection cover in different colours and with personalized brand; bearing made out of AISI 440C stainless steel.

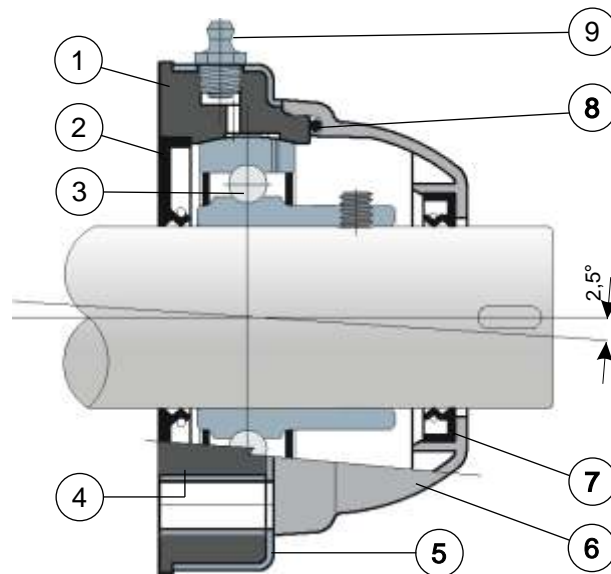


Square flanged Bearing supports

Serie UCF/CA



External cover made out of stainless steel AISI 304



- 1) Internal body of support made out of polypropylene reinforced with glass fibers.
- 2) Back gasket made out of NBR rubber for turning shaft seal.
- 3) Chrome steel or stainless steel bearing, AISI 440C
- 4) Spacer for fixing reinforcement made out of stainless steel AISI 304.
- 5) External cover of support made out of AISI 304 stainless steel.
- 6) Protection cover made out of polypropilene.(Grey colour Ral 7042.)
- 7) Front gasket made out of NBR rubber for turning shaft seal.
- 8) OR gasket made out of NBR rubber.
- 9) Greaser for relubrication made out of nickel-plated brass.

Maximum shaft alignment error 2,5°

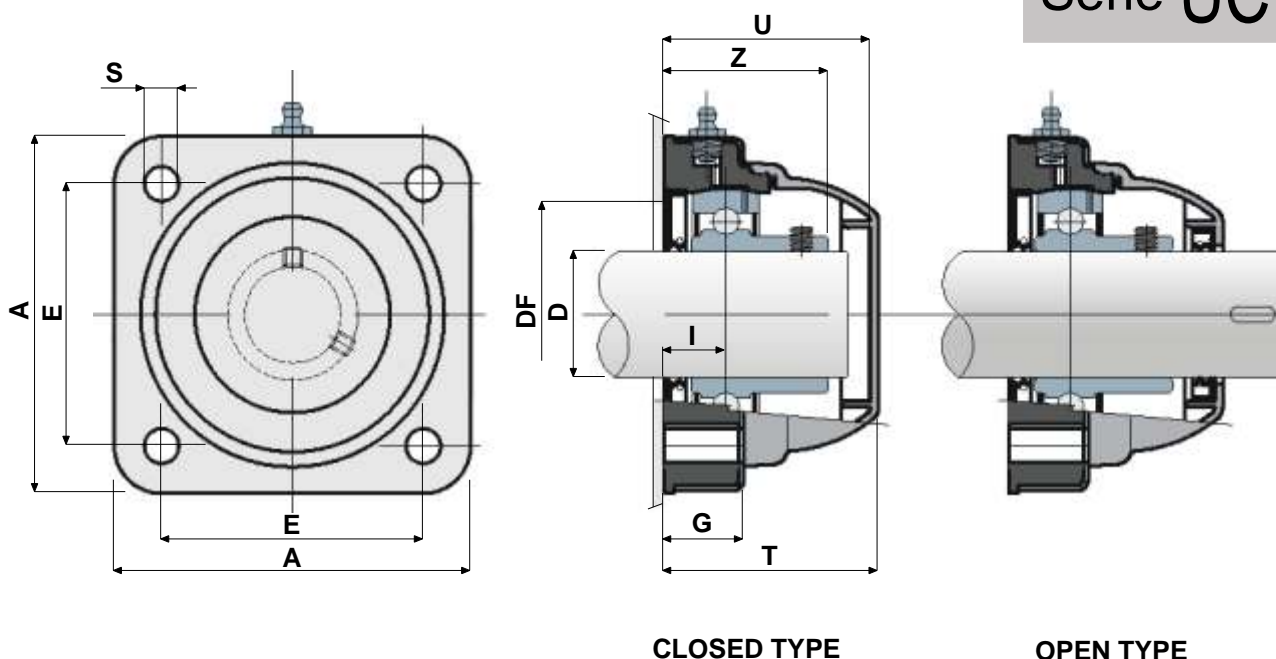
For further information please contact our technical office or sales department.

Square flanged Bearing supports

Technical data



Serie UCF/CA



CHROME STEEL BEARING

D	SERIES	CODES		DIMENSIONS (mm)										Bearing load (N)		Bearing support load (N)
		CLOSED TYPE	OPEN TYPE	E	A	S	G	I	Z	U	T	DF		C	C ₀	
30	UCF 206 CA	80409	80410	83	113	11	27	20	41	65	68	Max 60	Min 50	19500	11300	17500
35	UCF 207 CA	80485	80486	83	113	11	27	19.5	45	65	68	70	55	25500	15300	18000
40	UCF 208 CA	80411	80412	83	113	11	27	19.5	48.5	65	68	78	65	32500	19800	18000

STAINLESS STEEL BEARING AISI 440C

D	SERIES	CODES		DIMENSIONS (mm)										Bearing load (N)		Bearing support load (N)
		CLOSED TYPE	OPEN TYPE	E	A	S	G	I	Z	U	T	DF		C	C ₀	
30	UCF 206 CA	80453	80464	83	113	11	27	20	41	65	68	60	50	12500	11200	17500
35	UCF 207 CA	81059	81060	83	113	11	27	19.5	45	65	68	70	55	16600	15300	18000
40	UCF 208 CA	80454	81061	83	113	11	27	19.5	48.5	65	68	78	65	20000	19000	18000

MATERIALS : Support made out of PP+glass fiber; external cover of support made out of AISI 304 stainless steel; chrome steel or stainless steel bearing; greaser made out of nickel plated brass; reinforcement bushings made out of AISI 304 stainless steel; gaskets made out of NBR rubber; protection cover made out of polypropylene grey colour RAL 7042

FEATURES: Full protection of bearing against external agents. Support body made out of polypropylene covered by an AISI 304 stainless steel later, to obtain the maximum chemical resistance to antibacterial detergents used in food processing field. More over this part is moulded without internal cavities in order to obtain the best sanitation. Assembly with not shouldered shaft. Maximum shaft alignment error 2.5°.

BOX QUANTITY: 8 pieces.

ON REQUEST : Protection cover in different colours and with personalized brand.

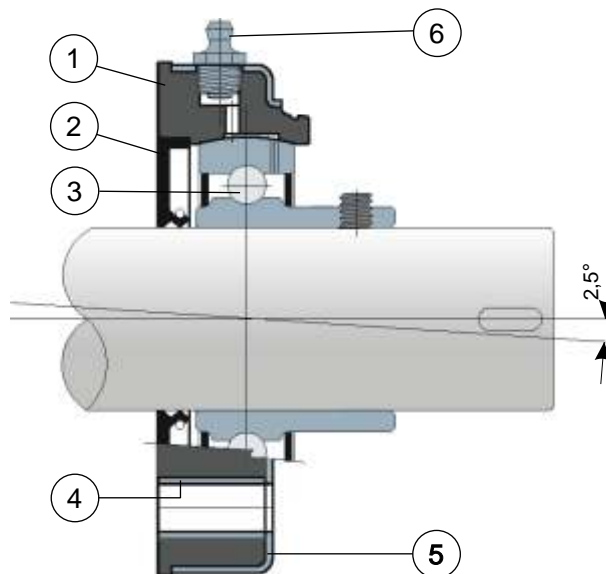


Square flanged Bearing supports

Serie UCF/CXA



External cover made out of stainless steel AISI 304; without protection cover.



- 1) Internal body of support made out of polypropylene reinforced with glass fibers.
- 2) Back gasket made out of NBR rubber for turning shaft seal.
- 3) Chrome steel or stainless steel bearing AISI440C.
- 4) Spacer for fixing reinforcement made out of stainless steel AISI 304.
- 5) External cover of support made out of AISI 304 stainless steel.
- 6) Greaser for relubrication made out of nickel-plated brass.

NOTE. The only difference from UCF/CA series is lack of protection cover, which can be ordered separately as an accessory.

Maximum shaft alignment error 2,5°

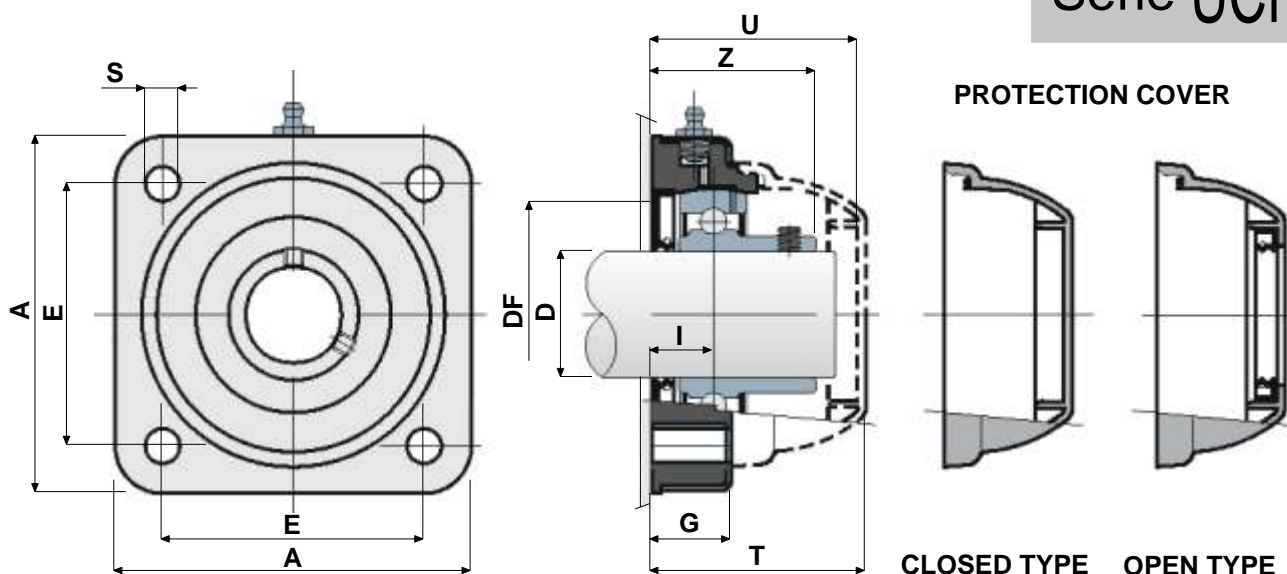
For further information please contact our technical office or sales department.

Square flanged Bearing supports

Technical data



Serie UCF/CXA



CHROME STEEL BEARING

D	SERIES	CODES Support	DIMENSIONS (mm)										Bearing load (N)		Bearing support load (N)	CODES Cover	
			E	A	S	G	I	Z	U	T	DF _{Max}	DF _{Min}	C	C ₀		CLOSED TYPE	OPEN TYPE
30	UCF 206 CXA	80413	83	113	11	27	20	41	65	68	60	50	19500	11300	17500	80256	80494
35	UCF 207 CXA	80479	83	113	11	27	19.5	45	65	68	70	55	25500	15300	18000		80495
40	UCF 208 CXA	80414	83	113	11	27	19.5	48.5	65	68	78	65	32500	19800	18000		80257

STAINLESS STEEL BEARING AISI 440C

D	SERIES	CODES Support	DIMENSIONS (mm)										Bearing load (N)		Bearing support load (N)	CODES Cover	
			E	A	S	G	I	Z	U	T	DF _{Max}	DF _{Min}	C	C ₀		CLOSED TYPE	OPEN TYPE
30	UCF 206 CXA	80499	83	113	11	27	20	41	65	68	60	50	12500	11200	17500	80256	80494
35	UCF 207 CXA	80500	83	113	11	27	19.5	45	65	68	70	55	16600	15300	18000		80495
40	UCF 208 CXA	80501	83	113	11	27	19.5	48.5	65	68	78	65	20000	19000	18000		80257

MATERIALS : Support made out of PP+glass fiber; external cover of support made out of AISI 304 stainless steel; chrome steel or stainless steel bearing; greaser made out of nickel plated brass; reinforcement bushings made out of AISI 304 stainless steel; gaskets made out of NBR rubber; protection cover made out of polypropylene grey colour RAL 7042

FEATURES: The only difference from UCF/CA series is lack of protection cover, which can be ordered separately as an accessory. Support body made out of polypropylene covered by an AISI 304 stainless steel later, to obtain the maximum chemical resistance to antibacterial detergents used in food processing field. More over this part is moulded without internal cavities in order to obtain the best sanitation. Assembly with not shouldered shaft. Maximum shaft alignment error 2.5°.

BOX QUANTITY: 8 pieces.

ON REQUEST : Protection cover in different colours and with personalized brand.

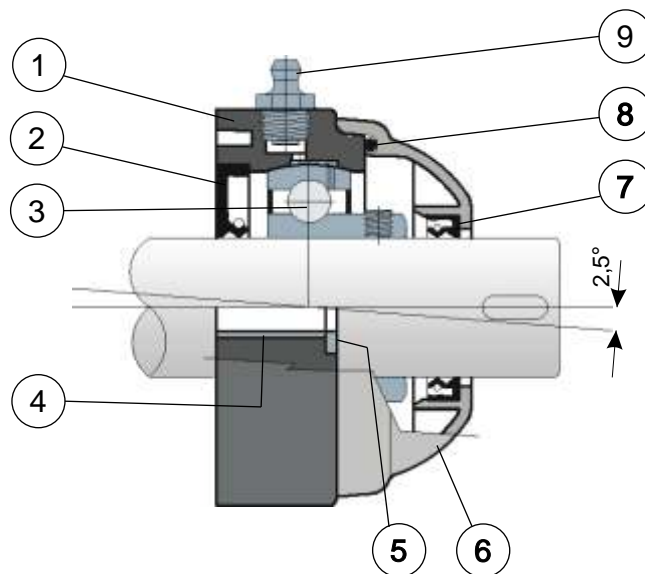


Oval flanged Bearing supports

Serie UCFL/C



Full protection of bearing



- 1) Support body made out of polyamide reinforced with glass fibers.
- 2) Back gasket made out of NBR rubber for turning shaft seal.
- 3) Chrome steel or stainless steel bearing AISI 440C.
- 4) Spacer for fixing reinforcement made out of stainless steel AISI 304.
- 5) UNI 6592 support washer made out of stainless steel AISI 304.
- 6) Protection cover made out of polypropylene. (Grey colour Ral 7042.)
- 7) Front gasket made out of NBR rubber for turning shaft seal.
- 8) OR gasket made out of NBR rubber.
- 9) Greaser for relubrication made out of nickel-plated brass.

Support dimensions respect **ISO 3228** set of rules.

Maximum shaft alignment error 2,5°

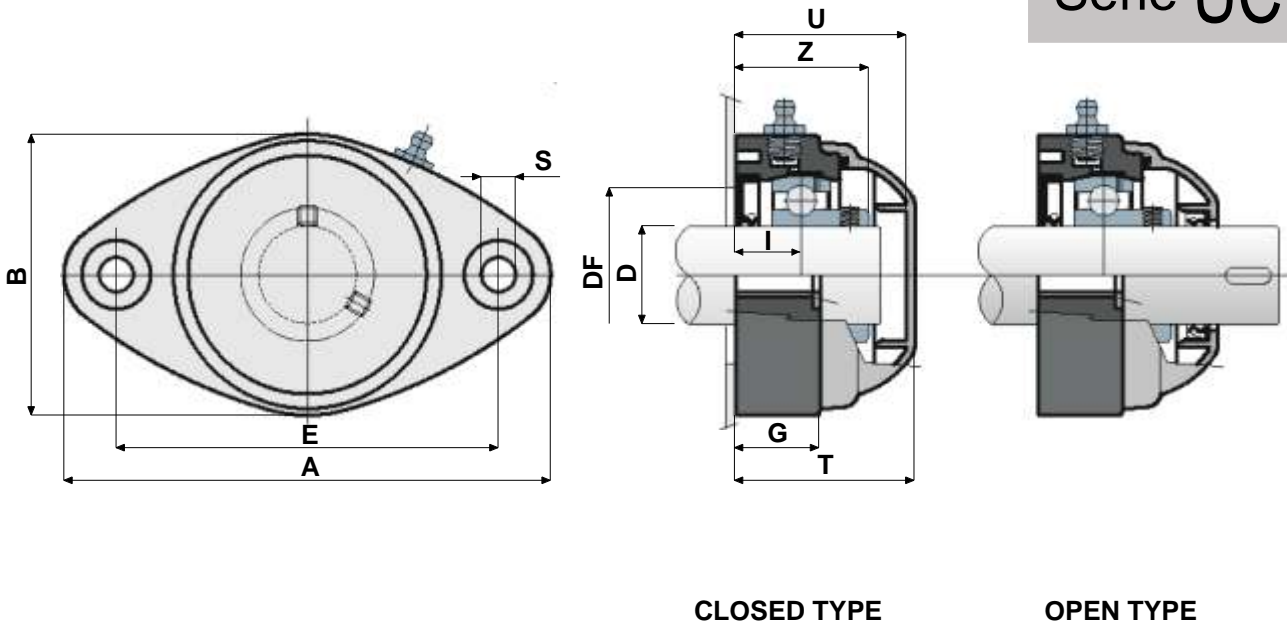
For further information please contact our technical office or sales department.

Oval flanged Bearing supports

Technical data



Serie UCFL/C



CLOSED TYPE

OPEN TYPE

CHROME STEEL BEARING

D	SERIES	CODES		DIMENSIONS (mm)											Bearing load (N)		Bearing support load (N)
		CLOSED TYPE	OPEN TYPE	E	A	B	S	G	I	Z	U	T	DF		C	C ₀	
													Max	Min			
20	UCFL 204 C	80262	80263	90	118	64	10.5	19	15.5	33.5	44	46.5	45	40	12800	6600	8500
25	UCFL 205 C	80067	80071	99	131	72	10.5	22	17	36	47	49	50	45	14000	7800	10000
30	UCFL 206 C	80068	80072	117	149	86	10.5	26	20	41	54	56	60	50	19500	11300	13000
35	UCFL 207 C	80069	80073	130	163	94	10.5	26	20	45	57	59	70	55	25500	15300	14000

STAINLESS STEEL BEARING AISI 440C

D	SERIES	CODES		DIMENSIONS (mm)											Bearing load (N)		Bearing support load (N)
		CLOSED TYPE	OPEN TYPE	E	A	B	S	G	I	Z	U	T	DF		C	C ₀	
													Max	Min			
20	UCFL 204 C	81062	81063	90	118	64	10.5	19	15.5	33.5	44	46.5	45	40	8300	6550	8500
25	UCFL 205 C	81064	81065	99	131	72	10.5	22	17	36	47	49	50	45	9150	7800	10000
30	UCFL 206 C	81066	81067	117	149	86	10.5	26	20	41	54	56	60	50	12500	11200	13000
35	UCFL 207 C	81068	81069	130	163	94	10.5	26	20	45	57	59	70	55	16600	15300	14000

MATERIALS : Support made out of PA+glass fiber; chrome steel or stainless steel bearing; greaser made out of nickel plated brass; reinforcement bushings and washers made out of stainless steel AISI 304; gaskets made out of NBR rubber; cover made out of polypropylene, grey colour RAL 7042.

FEATURES: Full protection of bearing against external agents. Assembly with not shouldered shafts. Maximum shaft alignment error 2.5°.

BOX QUANTITY: 8 pieces.

ON REQUEST : Antibacterial executions and versions with polypropylene + glass fiber support; protection cover in different colours and with personalized brand.

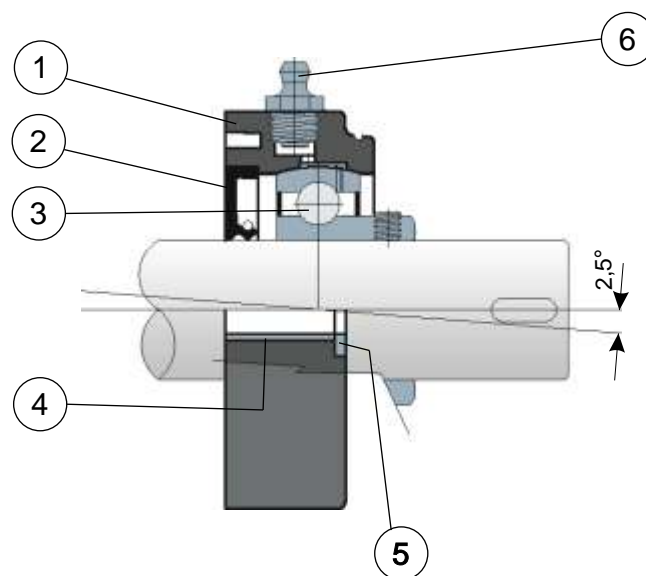


Oval flanged Bearing supports

Serie UCFL/CX



Without protection cover



- 1) Support body made out of polyamide reinforced with glass fibers.
- 2) Back gasket made out of NBR rubber for turning shaft seal.
- 3) Chrome steel or stainless steel bearing AISI 440C
- 4) Spacer for fixing reinforcement made out of stainless steel AISI 304.
- 5) UNI 6592 support washer made out of stainless steel AISI 304.
- 6) Greaser for relubrication made out of nickel-plated brass.

NOTE. The only difference from UCFL/C series is lack of protection cover, which can be ordered separately as an accessory.

Support dimensions respect **ISO 3228** set of rules.

Maximum shaft alignment error 2,5°

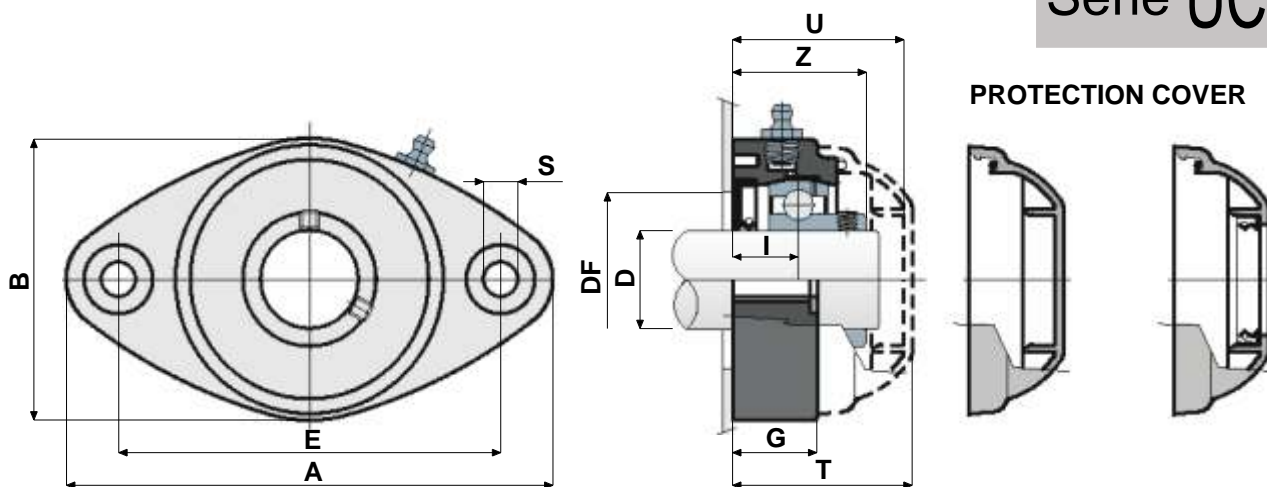
For further information please contact our technical office or sales department.

Oval flanged Bearing supports

Technical data



Serie UCFL/CX



CLOSED TYPE OPEN TYPE

CHROME STEEL BEARING

D	SERIES	CODES Support	DIMENSIONS (mm)										Bearing load (N)		Bearing support load (N)	CODES Cover		
			E	A	B	S	G	I	Z	U	T	DF _{Max}	DF _{Min}	C		C ₀	CLOSED TYPE	OPEN TYPE
20	UCFL 204 CX	80264	90	118	64	10.5	19	15.5	33.5	44	46.5	45	40	12800	6600	8500	80254	80255
25	UCFL 205 CX	80181	99	131	72	10.5	22	17	36	47	49	50	45	14000	7800	10000	80075	80076
30	UCFL 206 CX	80182	117	149	86	10.5	26	20	41	54	56	60	50	19500	11300	13000	80011	80053
35	UCFL 207 CX	80183	130	163	94	10.5	26	20	45	57	59	70	55	25500	15300	14000	80077	80078

STAINLESS STEEL BEARING AISI 440C

D	SERIES	CODES Support	DIMENSIONS (mm)										Bearing load (N)		Bearing support load (N)	CODES Cover		
			E	A	B	S	G	I	Z	U	T	DF _{Max}	DF _{Min}	C		C ₀	CLOSED TYPE	OPEN TYPE
20	UCFL 204 CX	81053	90	118	64	10.5	19	15.5	33.5	44	46.5	45	40	8300	6550	8500	80254	80255
25	UCFL 205 CX	81054	99	131	72	10.5	22	17	36	47	49	50	45	9150	7800	10000	80075	80076
30	UCFL 206 CX	81055	117	149	86	10.5	26	20	41	54	56	60	50	12500	11200	13000	80011	80053
35	UCFL 207 CX	81056	130	163	94	10.5	26	20	45	57	59	70	55	16600	15300	14000	80077	80078

MATERIALS : Support made out of PA+glass fiber; chrome steel or stainless steel bearing; greaser made out of nickel plated brass; reinforcement bushings and washers made out of stainless steel AISI 304; gaskets made out of NBR rubber; cover made out of polypropylene, grey colour RAL 7042.

FEATURES: The difference from UCFL/C series is lack of protection cover which can be ordered separately as an accessory. Assembly with not shouldered shafts.
Maximum shaft alignment error 2.5°.

BOX QUANTITY: 8 pieces.

ON REQUEST : Antibacterial executions and versions with polypropylene + glass fiber support; protection cover in different colours and with personalized brand.

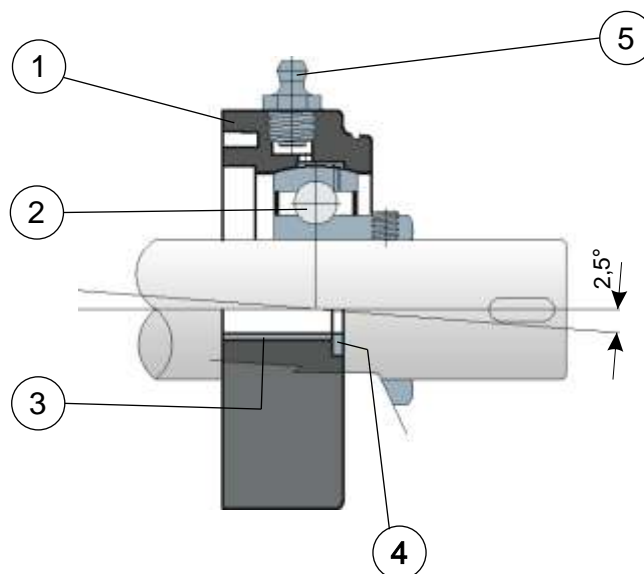


Oval flanged Bearing supports

Serie UCFL



Without cover and back gasket



- 1) Support body made out of polyamide reinforced with glass fibers.
- 2) Chrome steel or stainless steel bearing AISI 440C
- 3) Spacer for fixing reinforcement made out of stainless steel AISI 304.
- 4) UNI 6592 support washer made out of stainless steel AISI 304.
- 5) Greaser for relubrication made out of nickel-plated brass.

NOTE. The only difference from UCFL/C series is lack of protection cover, which can be ordered separately as an accessory; and back gasket.

Support dimensions respect **ISO 3228** set of rules.
Maximum shaft alignment error 2,5°

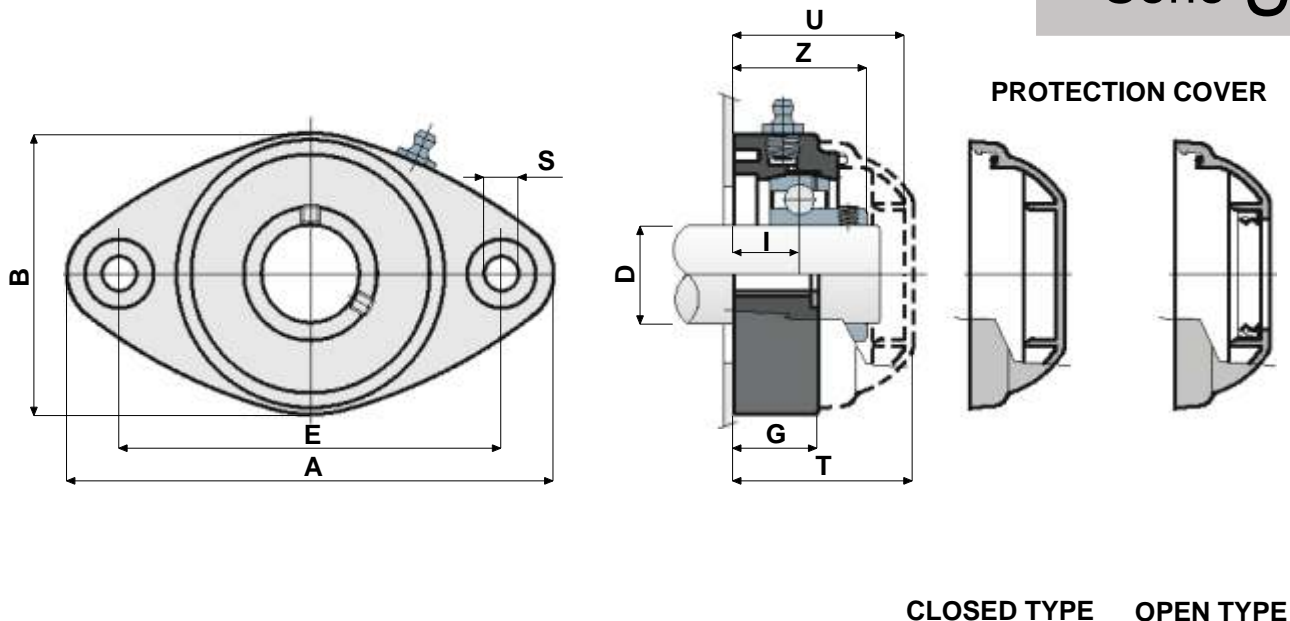
For further information please contact our technical office or sales department.

Oval flanged Bearing supports

Technical data



Serie UCFL



CHROME STEEL BEARING																
D	SERIES	CODES Support	DIMENSIONS (mm)									Bearing load (N)		Bearing support load (N)	CODES Cover	
			E	A	B	S	G	I	Z	U	T	C	C ₀		CLOSED TYPE	OPEN TYPE
20	UCFL 204	80265	90	118	64	10.5	19	15.5	33.5	44	46.5	12800	6600	8500	80254	80255
25	UCFL 205	80063	99	131	72	10.5	22	17	36	47	49	14000	7800	10000	80075	80076
30	UCFL 206	80064	117	149	86	10.5	26	20	41	54	56	19500	11300	13000	80011	80053
35	UCFL 207	80065	130	163	94	10.5	26	20	45	57	59	25500	15300	14000	80077	80078

STAINLESS STEEL BEARING AISI 440C																
D	SERIES	CODES Support	DIMENSIONS (mm)									Bearing load (N)		Bearing support load (N)	CODES Cover	
			E	A	B	S	G	I	Z	U	T	C	C ₀		CLOSED TYPE	OPEN TYPE
20	UCFL 204	80519	90	118	64	10.5	19	15.5	33.5	44	46.5	8500	6550	8500	80254	80255
25	UCFL 205	80520	99	131	72	10.5	22	17	36	47	49	9150	7800	10000	80075	80076
30	UCFL 206	80521	117	149	86	10.5	26	20	41	54	56	12500	11200	13000	80011	80053
35	UCFL 207	80522	130	163	94	10.5	26	20	45	57	59	16600	15300	14000	80077	80078

MATERIALS : Support made out of PA+glass fiber; chrome steel or stainless steel bearing; greaser made out of nickel plated brass; reinforcement bushings and washers made out of stainless steel AISI 304; gaskets made out of NBR rubber; cover made out of polypropylene, grey colour RAL 7042.

FEATURES: The difference from UCFL/C series is lack of protection cover which can be ordered separately as an accessory; and back gasket. Assembly with shouldered and not shouldered shafts. Maximum shaft alignment error 2.5°.

BOX QUANTITY: 8 pieces.

ON REQUEST : Antibacterial executions and versions with polypropylene + glass fiber support; protection cover in different colours and with personalized brand.

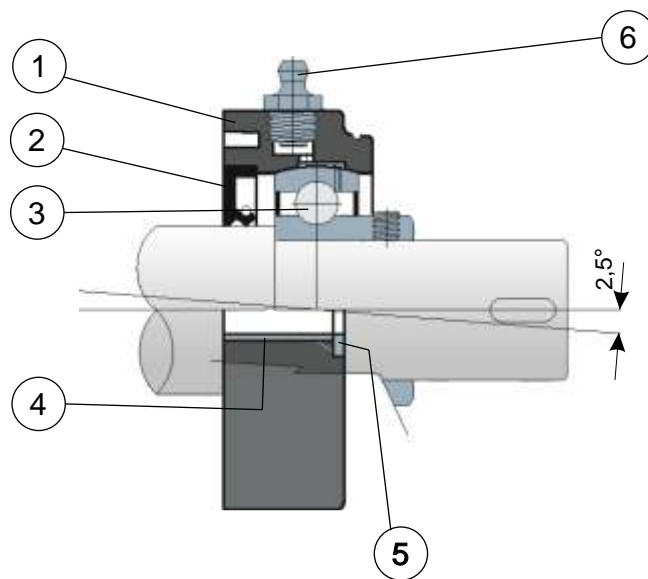


Oval flanged Bearing supports

Serie UCFL/CS



Back gasket for shouldered shaft



- 1) Support body made out of polyamide reinforced with glass fibers.
- 2) Back gasket made out of NBR rubber for turning shaft seal.
- 3) Chrome steel or stainless steel bearing AISI 440C.
- 4) Spacer for fixing reinforcement made out of stainless steel AISI 304.
- 5) UNI 6592 support washer made out of stainless steel AISI 304.
- 6) Greaser for relubrication made out of nickel-plated brass.

Support dimensions respect **ISO 3228** set of rules.

Maximum shaft alignment error 2,5°

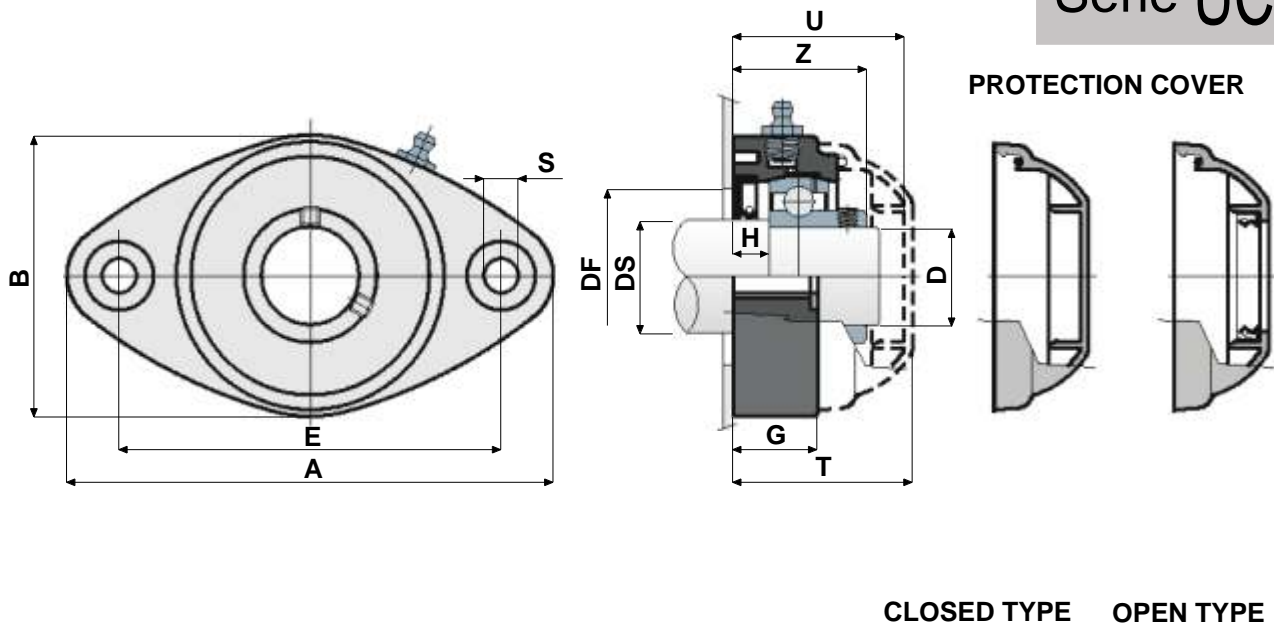
For further information please contact our technical office or sales department.

Oval flanged Bearing supports

Technical data



Serie UCFL/CS



CHROME STEEL BEARING																			
DS	D	SERIES	CODES Support	DIMENSIONS (mm)										Bearing load (N)		Bearing support load (N)		CODES Cover	
				E	A	B	S	G	H	Z	U	T	DF _{Max}	DF _{Min}	C	C ₀			CLOSED TYPE
25	20	UCFL 204 CS	80266	90	118	64	10.5	19	8.5	33.5	44	46.5	45	40	12800	6600	8500	80254	80255
30	25	UCFL 205 CS	80184	99	131	72	10.5	22	10	36	47	49	50	45	14000	7800	10000	80075	80076
35	30	UCFL 206 CS	80185	117	149	86	10.5	26	11.5	41	54	56	60	50	19500	11300	13000	80011	80053
40	35	UCFL 207 CS	80186	130	163	94	10.5	26	10.5	45	57	59	70	55	25500	15300	14000	80077	80078

MATERIALS : Support made out of PA+glass fiber; chrome steel bearing; greaser made out of nickel plated brass; reinforcement bushings and washers made out of stainless steel AISI 304; gaskets made out of NBR rubber; cover made out of polypropylene, grey colour RAL 7042.

FEATURES: Back gasket for shouldered shafts. Use of shouldered shafts allows a higher capability of axial load.
Maximum shaft alignment error 2.5°.

BOX QUANTITY: 8 pieces.

ON REQUEST : Antibacterial executions and versions with polypropylene + glass fiber support; protection cover in different colours and with personalized brand; bearing made out of AISI 440C stainless steel.