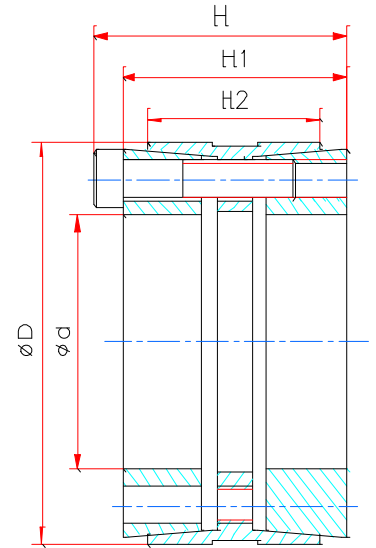
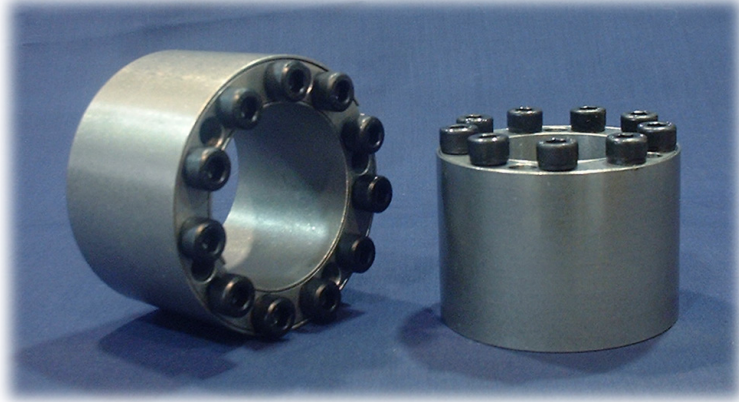


Wellock 21



| Dimensions | | | | | Transmission | | Contact Pressure | | Slotted Nut Thread Din1804 | | |
|------------|-----|-----|-----|-----|--------------|--------|-------------------|-------------------|----------------------------|---------|-------------------|
| | | | | | Axial Force | Torque | Shaft | Hub | Qty. | Size | Tightening Torque |
| d | D | H | H1 | H2 | Ft | Mt | P | P1 | | | |
| mm | mm | mm | mm | mm | KN | Nm | N/mm ² | N/mm ² | | | Nm |
| 25 | 55 | 46 | 40 | 32 | 67 | 840 | 295 | 134 | 6 | M6X35 | 18 |
| 28 | 55 | 46 | 40 | 32 | 67 | 940 | 264 | 134 | 6 | M6X35 | 18 |
| 30 | 55 | 46 | 40 | 32 | 67 | 1000 | 246 | 134 | 6 | M6X35 | 18 |
| 35 | 60 | 60 | 54 | 44 | 74 | 1300 | 174 | 101 | 7 | M6X45 | 18 |
| 38 | 75 | 62 | 54 | 44 | 74 | 2600 | 296 | 150 | 7 | M8X50 | 41 |
| 40 | 75 | 62 | 54 | 44 | 145 | 2900 | 281 | 150 | 7 | M8X50 | 41 |
| 42 | 75 | 62 | 54 | 44 | 145 | 2930 | 268 | 150 | 7 | M8X50 | 41 |
| 45 | 75 | 62 | 54 | 44 | 145 | 3260 | 250 | 150 | 7 | M8X50 | 41 |
| 48 | 80 | 62 | 64 | 56 | 155 | 3800 | 207 | 124 | 8 | M8X55 | 41 |
| 50 | 80 | 72 | 64 | 56 | 155 | 4150 | 200 | 98 | 8 | M8X55 | 41 |
| 55 | 85 | 72 | 64 | 56 | 186 | 5150 | 205 | 104 | 9 | M8X55 | 41 |
| 60 | 90 | 72 | 64 | 56 | 207 | 6200 | 202 | 106 | 10 | M8X55 | 41 |
| 65 | 95 | 72 | 64 | 56 | 207 | 6750 | 187 | 100 | 10 | M8X55 | 41 |
| 70 | 110 | 88 | 78 | 70 | 329 | 11500 | 223 | 114 | 10 | M10X60 | 83 |
| 75 | 115 | 88 | 78 | 70 | 329 | 12060 | 223 | 114 | 10 | M10X60 | 83 |
| 80 | 120 | 88 | 78 | 70 | 360 | 14500 | 215 | 115 | 11 | M10X60 | 83 |
| 85 | 125 | 88 | 78 | 70 | 360 | 15100 | 215 | 115 | 12 | M10X60 | 83 |
| 90 | 130 | 88 | 78 | 70 | 390 | 17600 | 208 | 115 | 12 | M10X60 | 83 |
| 95 | 135 | 88 | 78 | 70 | 390 | 18300 | 208 | 115 | 12 | M10X60 | 83 |
| 100 | 145 | 112 | 100 | 90 | 467 | 23300 | 200 | 107 | 11 | M12X80 | 145 |
| 110 | 155 | 112 | 100 | 90 | 553 | 30400 | 198 | 110 | 12 | M12X80 | 145 |
| 120 | 165 | 112 | 100 | 90 | 617 | 37000 | 212 | 120 | 14 | M12X80 | 145 |
| 130 | 180 | 130 | 116 | 104 | 759 | 49000 | 192 | 112 | 12 | M14X90 | 230 |
| 140 | 190 | 130 | 116 | 104 | 843 | 59000 | 208 | 124 | 14 | M14X90 | 230 |
| 150 | 200 | 130 | 116 | 104 | 897 | 67000 | 208 | 127 | 15 | M14X90 | 230 |
| 160 | 210 | 130 | 116 | 104 | 950 | 76000 | 208 | 128 | 16 | M14X90 | 230 |
| 170 | 225 | 164 | 148 | 134 | 1223 | 10200 | 182 | 113 | 16 | M16X110 | 360 |
| 180 | 235 | 164 | 148 | 134 | 1289 | 11500 | 184 | 115 | 16 | M16X111 | 360 |
| 190 | 250 | 164 | 148 | 134 | 1363 | 13000 | 186 | 116 | 16 | M16X112 | 360 |
| 200 | 260 | 164 | 148 | 134 | 1438 | 14370 | 177 | 112 | 16 | M16X113 | 360 |
| 220 | 285 | 164 | 148 | 134 | 1582 | 17400 | 188 | 115 | 16 | M16X114 | 360 |