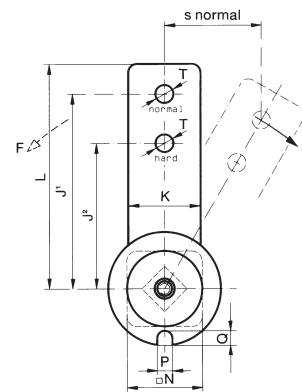
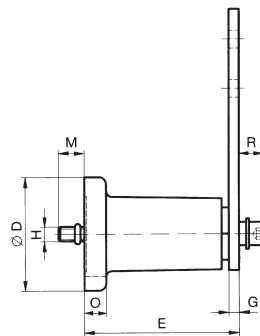
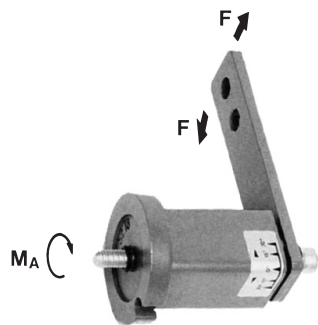




Tensioner Device

Type SE-F

Front Mounting



Technical Data

Art. No.	Type	F max.* in N of position normal (J ¹)	s max. in mm normal	Torque M _A in Nm	Weight in kg
06061002	SE-F 15	135	50	17	0.40
06061003	SE-F 18	350	50	41	0.65
06061004	SE-F 27	800	65	83	1.85
06061005	SE-F 38	1500	87.5	145	3.70
06061006	SE-F 45	2600	112.5	355	6.90
06061007	SE-F 50	4200	125	690	10.10

* F max. in position "hard" approx. 25% higher

Dimensions

Art. No.	Type	D	E	G	H	J ¹	J ²	K	L	M	N	O	P	Q	R	T
06061002	SE-F 15	45	64 ⁺¹ _{-0.5}	5	M6	100	80	25	112.5	12.4	30	8	8.5	6	10	10.5
06061003	SE-F 18	58	79 ^{+1.5} _{-0.5}	7	M8	100	80	30	115	18.9	35	10.5	8.5	8	12	10.5
06061004	SE-F 27	78	108 ⁺² _{-0.5}	8	M10	130	100	50	155	17.5	52	15	10.5	10	16	12.5
06061005	SE-F 38	95	140 ⁺² _{-0.5}	10	M12	175	140	60	205	18.0	66	15	12.5	12	19	20.5
06061006	SE-F 45	115	200 ⁺³ ₋₁	12	M16	225	180	70	260	33.0	80	18	12.5	12	27	20.5
06061007	SE-F 50	130	210 ⁺³ ₋₁	20	M20	250	200	80	290	23.0	78	20	17	17	28	20.5