



# **VOLANTINI DI BLOCCAGGIO**

## ***LOCKING KNOBS***

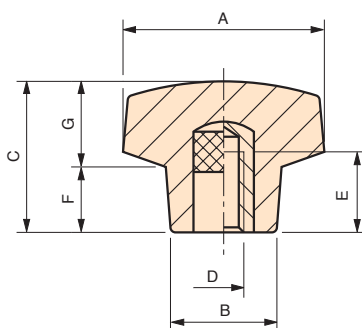
### **VOLANTS DE SERRAGE**



# VB

## Volantino a sei lobi Six lobe-knob

## Petit volant à six lobes



Bussola ottone e foro cieco filettato.  
Brass insert with tapped blind hole.  
Insert en laiton borgne taraudé.

cod.	modello	A	B	C	D	E	F	G
6113005	<b>VB/20</b>	20	13	15	M 4	9	7	8
6113010	<b>VB/20</b>	20	13	15	M 5	9	7	8
6113015	<b>VB/20</b>	20	13	15	M 6	9	7	8
6113020	<b>VB/30</b>	30	17	24	M 5	9	11	13
6113025	<b>VB/30</b>	30	17	24	M 6	9	11	13
6113030	<b>VB/30</b>	30	17	24	M 8	15	11	13
6113037	<b>VB/40</b>	40	21	28	M 6	13	12	16
6113042	<b>VB/40</b>	40	21	28	M 8	15	12	16
6113047	<b>VB/40</b>	40	21	28	M 10	16	12	16
6113052	<b>VB/50</b>	50	25	33	M 8	15	13	20
6113057	<b>VB/50</b>	50	25	33	M 10	16	13	20
6113062	<b>VB/50</b>	50	25	33	M 12	18	13	20

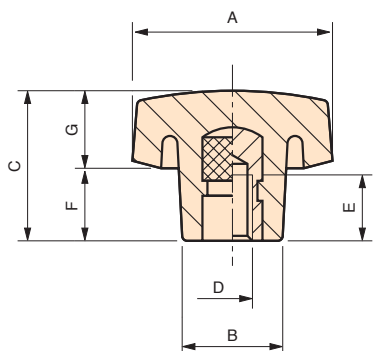
**NOTE:** Si forniscono, per quantità adeguate, in colori diversi e con inserti a misura in acciaio, in ottone, in acciaio inox.

**Materiale:** Duroplasto nero.  
Black phenolic plastic.  
Duroplast noir.

# VB

## Volantino a sei lobi Six lobe-knob

## Petit volant à six lobes



Bussola ottone e foro cieco filettato.  
Brass insert with tapped blind hole.

Insert en laiton borgne taraudé.

cod.	modello	A	B	C	D	E	F	G
6113035	<b>VB/40</b>	40	21	28	M 6	13	13	15
6113040	<b>VB/40</b>	40	21	28	M 8	15	13	15
6113041	<b>VB/40</b>	40	21	28	∅ 8	-	13	15
6113045	<b>VB/40</b>	40	21	28	M 10	16	13	15
6113050	<b>VB/50</b>	50	25	33	M 8	15	15	18
6113055	<b>VB/50</b>	50	25	33	M 10	16	15	18
6113060	<b>VB/50</b>	50	25	33	M 12	18	15	18
6113065	<b>VB/60</b>	60	28	35	M 8	15	15	20
6113070	<b>VB/60</b>	60	28	35	M 10	16	15	20
6113075	<b>VB/60</b>	60	28	35	M 12	18	15	20
6113080	<b>VB/60</b>	60	28	35	M 14	20	15	20
6113085	<b>VB/60</b>	60	28	35	M 16	20	15	20
6113090	<b>VB/70</b>	70	32	42	M 10	16	21	21
6113095	<b>VB/70</b>	70	32	42	M 12	18	21	21
6113100	<b>VB/70</b>	70	32	42	M 14	20	21	21
6113105	<b>VB/70</b>	70	32	42	M 16	20	21	21
6113110	<b>VB/70</b>	70	32	42	∅ 6	-	21	21
6113115	<b>VB/70</b>	70	32	42	∅ 8	-	21	21
6113120	<b>VB/90</b>	90	42	55	M 12	18	26	29
6113125	<b>VB/90</b>	90	42	55	M 14	20	26	29
6113130	<b>VB/90</b>	90	42	55	M 16	20	26	29
6113135	<b>VB/90</b>	90	42	55	M 18	20	26	29

**NOTE:** Si forniscono, per quantità adeguate, in colori diversi e con inserti a misura in acciaio, in ottone, in acciaio inox.

**Materiale:** Duroplasto nero.  
Black phenolic plastic.  
Duroplast noir.

# VB/FP

## Volantino a sei lobi Six lobe-knob

## Petit volant à six lobes

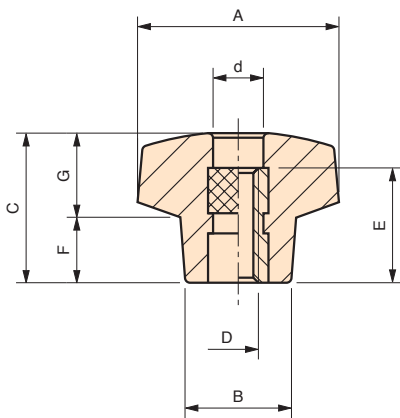


Bussola ottone foro passante filettato.  
Brass insert with tapped through hole.  
Insert en laiton traversant taraudé.

cod.	modello	A	B	C	D	E	F	G	d
6114002	<b>VB/20/FP</b>	20	13	15	M4	8	7	8	5
6114003	<b>VB/20/FP</b>	20	13	15	M5	8	7	8	6
6114005	<b>VB/20/FP</b>	20	13	15	M6	8	7	8	7
6114010	<b>VB/30/FP</b>	30	17	24	M5	15	11	12,5	9
6114015	<b>VB/30/FP</b>	30	17	24	M6	15	11	12,5	9
6114020	<b>VB/30/FP</b>	30	17	24	M8	15	11	12,5	9

**NOTE:** Si forniscono, per quantità adeguate, in colori diversi e con inserti a misura in acciaio, in ottone, in acciaio inox.

**Materiale:** Duroplasto nero.  
Black phenolic plastic.  
Duroplast noir.



# VB/FP

## Volantino a sei lobi Six lobe-knob

## Petit volant à six lobes

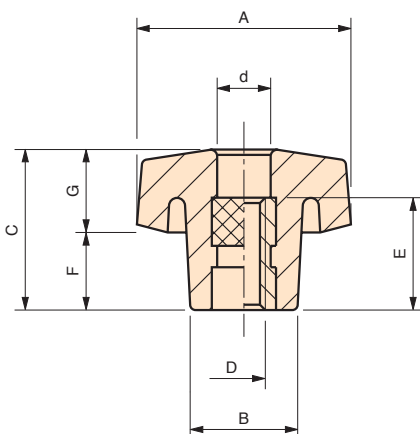


Bussola ottone foro passante filettato.  
Brass insert with tapped through hole.  
Insert en laiton traversant taraudé.

cod.	modello	A	B	C	D	E	F	G	d
6114025	<b>VB/40/FP</b>	40	21	28	M 6	18	13	15	11
6114030	<b>VB/40/FP</b>	40	21	28	M 8	18	13	15	11
6114035	<b>VB/40/FP</b>	40	21	28	M10	18	13	15	11
6114040	<b>VB/50/FP</b>	50	25	33	M 8	18	15	18	13
6114045	<b>VB/50/FP</b>	50	25	33	M10	18	15	18	13
6114050	<b>VB/50/FP</b>	50	25	33	M12	18	15	18	13
6114055	<b>VB/60/FP</b>	60	28	35	M10	25	15	20	11
6114060	<b>VB/60/FP</b>	60	28	35	M12	25	15	20	13
6114065	<b>VB/60/FP</b>	60	28	35	M14	25	15	20	15
6114070	<b>VB/60/FP</b>	60	28	35	M16	25	15	20	17
6114075	<b>VB/70/FP</b>	70	32	42	M10	25	21	21	11
6114080	<b>VB/70/FP</b>	70	32	42	M12	25	21	21	13
6114085	<b>VB/70/FP</b>	70	32	42	M14	25	21	21	15
6114090	<b>VB/70/FP</b>	70	32	42	M16	25	21	21	17

**NOTE:** Si forniscono, per quantità adeguate, in colori diversi e con inserti a misura in acciaio, in ottone, in acciaio inox.

**Materiale:** Duroplasto nero.  
Black phenolic plastic.  
Duroplast noir.



# VP

## Volantino a sei lobi Six lobe-knob

## Petit volant à six lobes

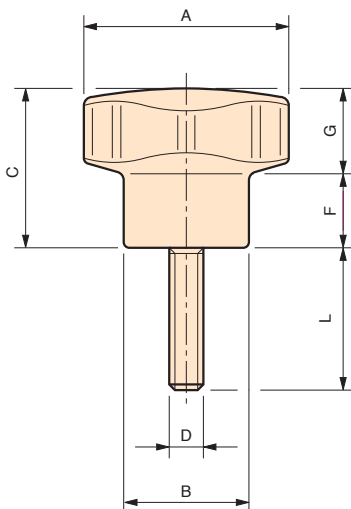


Perno in acciaio zincato filettato.  
Threaded zinc plated steel stud.  
Tige filetée en acier zingué.

cod.	modello	A	B	C	F	G	D	L
6112005	VP/20	20	13	15	7	8	M4	10
6112010	VP/20	20	13	15	7	8	M4	15
6112015	VP/20	20	13	15	7	8	M4	25
6112020	VP/20	20	13	15	7	8	M5	10
6112025	VP/20	20	13	15	7	8	M5	15
6112030	VP/20	20	13	15	7	8	M5	20
6112035	VP/20	20	13	15	7	8	M5	25
6112040	VP/20	20	13	15	7	8	M6	10
6112045	VP/20	20	13	15	7	8	M6	15
6112050	VP/20	20	13	15	7	8	M6	20
6112055	VP/20	20	13	15	7	8	M6	25
6112060	VP/20	20	13	15	7	8	M6	35
6112065	VP/30	30	17	24	11	13	M5	10
6112070	VP/30	30	17	24	11	13	M5	20
6112075	VP/30	30	17	24	11	13	M6	10
6112080	VP/30	30	17	24	11	13	M6	15
6112085	VP/30	30	17	24	11	13	M6	20
6112090	VP/30	30	17	24	11	13	M6	25
6112095	VP/30	30	17	24	11	13	M6	30
6112100	VP/30	30	17	24	11	13	M6	35
6112105	VP/30	30	17	24	11	13	M6	40
6112110	VP/30	30	17	24	11	13	M8	15
6112115	VP/30	30	17	24	11	13	M8	20
6112120	VP/30	30	17	24	11	13	M8	25
6112121	VP/30	30	17	24	11	13	M8	30
6112125	VP/30	30	17	24	11	13	M8	35
6112130	VP/30	30	17	24	11	13	M8	45
6112135	VP/30	30	17	24	11	13	M8	60

**NOTE:** Si forniscono, per quantità adeguate, in colori diversi e con inserti a misura in acciaio, in ottone, in acciaio inox.

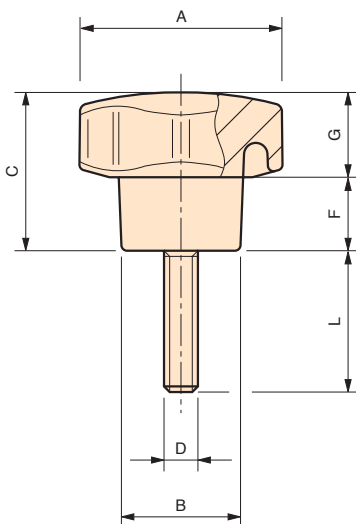
**Materiale:** Duroplasto nero.  
Black phenolic plastic.  
Duroplast noir.



# VP

## Volantino a sei lobi Six lobe-knob

## Petit volant à six lobes



Perno in acciaio zincato filettato.  
Threaded zinc plated steel stud.

Tige filetée en acier zingué.

cod.	modello	A	B	C	F	G	D	L
6112140	VP/40	40	21	28	13	15	M 6	20
6112145	VP/40	40	21	28	13	15	M 6	25
6112147	VP/40	40	21	28	13	15	M 6	30
6112150	VP/40	40	21	28	13	15	M 6	40
6112155	VP/40	40	21	28	13	15	M 8	10
6112160	VP/40	40	21	28	13	15	M 8	15
6112165	VP/40	40	21	28	13	15	M 8	20
6112170	VP/40	40	21	28	13	15	M 8	25
6112175	VP/40	40	21	28	13	15	M 8	30
6112180	VP/40	40	21	28	13	15	M 8	35
6112185	VP/40	40	21	28	13	15	M 8	40
6112190	VP/40	40	21	28	13	15	M 8	50
6112195	VP/40	40	21	28	13	15	M 8	60
6112205	VP/40	40	21	28	13	15	M 8	70
6112210	VP/40	40	21	28	13	15	M 10	20
6112215	VP/40	40	21	28	13	15	M 10	30
6112220	VP/40	40	21	28	13	15	M 10	50
6112225	VP/40	40	21	28	13	15	M 10	70
6112230	VP/50	50	25	33	15	18	M 8	15
6112235	VP/50	50	25	33	15	18	M 8	20
6112240	VP/50	50	25	33	15	18	M 8	25
6112245	VP/50	50	25	33	15	18	M 8	30
6112250	VP/50	50	25	33	15	18	M 8	40
6112255	VP/50	50	25	33	15	18	M 8	45
6112256	VP/50	50	25	33	15	18	M 8	50
6112260	VP/50	50	25	33	15	18	M 8	60
6112265	VP/50	50	25	33	15	18	M 10	15
6112270	VP/50	50	25	33	15	18	M 10	20
6112275	VP/50	50	25	33	15	18	M 10	25
6112280	VP/50	50	25	33	15	18	M 10	30
6112284	VP/50	50	25	33	15	18	M 10	40
6112285	VP/50	50	25	33	15	18	M 10	50
6112290	VP/50	50	25	33	15	18	M 10	60
6112295	VP/50	50	25	33	15	18	M 12	30
6112300	VP/50	50	25	33	15	18	M 12	40
6112305	VP/50	50	25	33	15	18	M 12	60
6112310	VP/60	60	28	35	15	20	M 8	20
6112315	VP/60	60	28	35	15	20	M 8	40
6112320	VP/60	60	28	35	15	20	M 8	60
6112325	VP/60	60	28	35	15	20	M 10	10
6112330	VP/60	60	28	35	15	20	M 10	20
6112335	VP/60	60	28	35	15	20	M 10	30
6112340	VP/60	60	28	35	15	20	M 10	35
6112345	VP/60	60	28	35	15	20	M 10	40
6112350	VP/60	60	28	35	15	20	M 10	45
6112355	VP/60	60	28	35	15	20	M 10	60
6112360	VP/60	60	28	35	15	20	M 10	70
6112365	VP/60	60	28	35	15	20	M 12	20
6112370	VP/60	60	28	35	15	20	M 12	30
6112375	VP/60	60	28	35	15	20	M 12	35
6112380	VP/60	60	28	35	15	20	M 12	40
6112385	VP/60	60	28	35	15	20	M 12	50
6112386	VP/60	60	28	35	15	20	M 12	60
6112390	VP/60	60	28	35	15	20	M 12	80
6112395	VP/70	70	32	42	21	21	M 10	30
6112400	VP/70	70	32	42	21	21	M 10	40
6112405	VP/70	70	32	42	21	21	M 12	30
6112415	VP/70	70	32	42	21	21	M 12	40
6112420	VP/70	70	32	42	21	21	M 12	50
6112425	VP/70	70	32	42	21	21	M 12	70
6112435	VP/70	70	32	42	21	21	M 14	40
6112440	VP/70	70	32	42	21	21	M 14	50
6112445	VP/90	90	42	55	26	29	M 12	60
6112450	VP/90	90	42	55	26	29	M 12	70
6112455	VP/90	90	42	55	26	29	M 14	60
6112460	VP/90	90	42	55	26	29	M 14	70
6112465	VP/90	90	42	55	26	29	M 16	60
6112470	VP/90	90	42	55	26	29	M 16	70

**NOTE:** Si forniscono, per quantità adeguate, in colori diversi e con inserti a misura in acciaio, in ottone, in acciaio inox.

**Materiale:** Duroplasto nero.  
Black phenolic plastic.  
Duroplast noir.

INOX - STAINLESS STEEL

# VBX

Volantino a sei lobi  
Six lobe-knob

Petit volant à six lobes

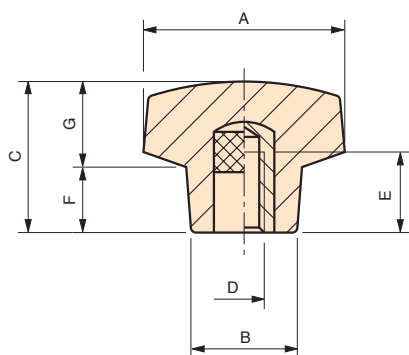


Bussola acciaio inox e foro cieco filettato.  
Stainless steel insert with tapped blind hole.  
Insert en acier inoxydable taraudé.

cod.	modello	A	B	C	D	E	F	G
6157020	<b>VBX/30</b>	30	17	24	M 6	9	11	13
6157040	<b>VBX/40</b>	40	21	28	M 8	15	12	16
6157060	<b>VBX/50</b>	50	25	33	M 10	16	13	20
6157080	<b>VBX/60</b>	60	28	37	M 12	18	15	22

**NOTE:** Si forniscono, per quantità adeguate, in colori diversi e con inserti a misura.

**Materiale:** Duroplasto nero.  
Black phenolic plastic.  
Duroplast noir.



INOX - STAINLESS STEEL

# VPX

Volantino a sei lobi  
Six lobe-knob

Petit volant à six lobes

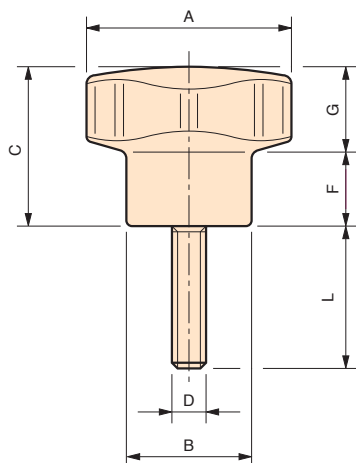


Perno in acciaio inox filettato.  
Threaded stainless steel stud.  
Tige filetée en acier inoxydable.

cod.	modello	A	B	C	F	G	D	L
6158050	<b>VPX/30</b>	30	17	24	11	13	M 6	10
6158055	<b>VPX/30</b>	30	17	24	11	13	M 6	15
6158060	<b>VPX/30</b>	30	17	24	11	13	M 6	20
6158075	<b>VPX/30</b>	30	17	24	11	13	M 6	35
6158150	<b>VPX/40</b>	40	21	28	12	16	M 8	20
6158155	<b>VPX/40</b>	40	21	28	12	16	M 8	25
6158160	<b>VPX/40</b>	40	21	28	12	16	M 8	30
6158165	<b>VPX/40</b>	40	21	28	12	16	M 8	35
6158175	<b>VPX/40</b>	40	21	28	12	16	M 8	45
6158250	<b>VPX/50</b>	50	25	33	13	20	M 10	20
6158260	<b>VPX/50</b>	50	25	33	13	20	M 10	30
6158270	<b>VPX/50</b>	50	25	33	13	20	M 10	40
6158280	<b>VPX/50</b>	50	25	33	13	20	M 10	50
6158350	<b>VPX/60</b>	60	28	37	15	22	M 12	30
6158360	<b>VPX/60</b>	60	28	37	15	22	M 12	40
6158370	<b>VPX/60</b>	60	28	37	15	22	M 12	50
6158450	<b>VPX/70</b>	70	32	42	18	24	M 12	70

**NOTE:** Si forniscono, per quantità adeguate, in colori diversi e con inserti a misura.

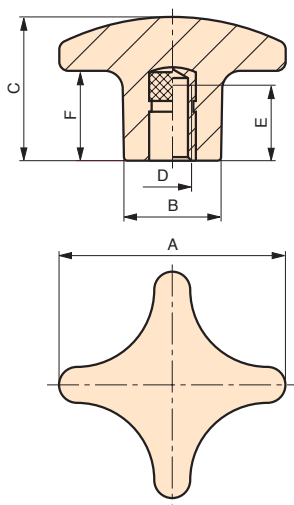
**Materiale:** Duroplasto nero.  
Black phenolic plastic.  
Duroplast noir.



# VQB

## Volantino a quattro punte Four lobe-knob

## Petit volant à quatre bras



Bussola acciaio zincato foro cieco filettato.  
Zinc plated steel insert with tapped blind hole.  
Insert en acier zingué borgne taraudé.

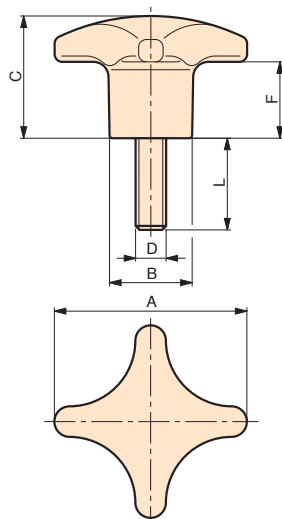
cod.	modello	A	B	C	F	D	E
7120005	<b>VQB/25</b>	25	12	15	7	M5	11
7120010	<b>VQB/32</b>	32	15	21	10	M5	11
7120015	<b>VQB/32</b>	32	15	21	10	M6	15
7120020	<b>VQB/40</b>	40	19	26	13	M6	15
7120025	<b>VQB/40</b>	40	19	26	13	M8	17
7120030	<b>VQB/50</b>	50	23	33	20	M8	17
7120035	<b>VQB/50</b>	50	23	33	20	M10	23
7120040	<b>VQB/63</b>	63	27	40	25	M8	17
7120045	<b>VQB/63</b>	63	27	40	25	M10	23
7120050	<b>VQB/63</b>	63	27	40	25	M12	27
7120055	<b>VQB/80</b>	80	36	51	30	M12	27
7120065	<b>VQB/80</b>	80	36	51	30	M16	30

**Materiale:** Duroplasto nero.  
Black phenolic plastic.  
Duroplast noir.

# VQP

## Volantino a quattro punte Four lobe-knob

## Petit volant à quatre bras



Perno in acciaio zincato filettato.  
Threaded zinc plated steel stud.  
Tige filetée en acier zingué.

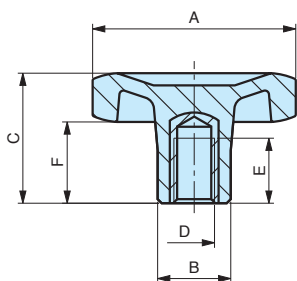
cod.	modello	A	B	C	F	D	L
7121005	<b>VQP/25</b>	25	12	15	7	M5	10
7121010	<b>VQP/25</b>	25	12	15	7	M5	15
7121015	<b>VQP/25</b>	25	12	15	7	M5	20
7121030	<b>VQP/25</b>	25	12	15	7	M6	15
7121050	<b>VQP/32</b>	32	15	21	10	M6	15
7121055	<b>VQP/32</b>	32	15	21	10	M6	20
7121060	<b>VQP/32</b>	32	15	21	10	M6	30
7121075	<b>VQP/32</b>	32	15	21	10	M8	20
7121090	<b>VQP/40</b>	40	19	26	13	M8	15
7121095	<b>VQP/40</b>	40	19	26	13	M8	20
7121100	<b>VQP/40</b>	40	19	26	13	M8	30
7121135	<b>VQP/50</b>	50	23	33	20	M8	20
7121140	<b>VQP/50</b>	50	23	33	20	M8	30
7121150	<b>VQP/50</b>	50	23	33	20	M10	20
7121155	<b>VQP/50</b>	50	23	33	20	M10	30
7121160	<b>VQP/50</b>	50	23	33	20	M10	40
7121170	<b>VQP/63</b>	63	27	40	25	M10	20
7121190	<b>VQP/63</b>	63	27	40	25	M12	25

**Materiale:** Duroplasto nero.  
Black phenolic plastic.  
Duroplast noir.

# LB

## Volantino a sei lobi Six lobe-knob

## Petit volant à six lobes



Bussola ottone e foro cieco filettato.  
Brass insert with tapped blind hole.

Insert en laiton borgne taraudé.

cod.	modello	A	B	C	F	D	E
6370005	<b>LB/20</b>	20	11	20	12	M 4	9
6370010	<b>LB/20</b>	20	11	20	12	M 5	9
6370015	<b>LB/20</b>	20	11	20	12	M 6	9
6370020	<b>LB/30</b>	30	14	24	15	M 5	13
6370025	<b>LB/30</b>	30	14	24	15	M 6	13
6370030	<b>LB/30</b>	30	14	24	15	M 8	13
6370035	<b>LB/40</b>	40	16	28	18	M 6	13
6370040	<b>LB/40</b>	40	16	28	18	M 8	13
6370045	<b>LB/40</b>	40	16	28	18	M10	13
6370050	<b>LB/50</b>	50	18	32	20	M 8	15
6370055	<b>LB/50</b>	50	18	32	20	M10	16
6370060	<b>LB/60</b>	60	20	36	22	M 8	15
6370065	<b>LB/60</b>	60	20	36	22	M10	16
6370070	<b>LB/60</b>	60	20	36	22	M12	18
6370075	<b>LB/70</b>	70	23	40	24	M10	16
6370080	<b>LB/70</b>	70	23	40	24	M12	18
6370085	<b>LB/70</b>	70	23	40	24	M14	20
6370090	<b>LB/70</b>	70	23	40	24	M16	20

**NOTE:** Si forniscono, per quantità adeguate, in colori diversi e con inserti a misura in acciaio, in ottone, in acciaio inox.

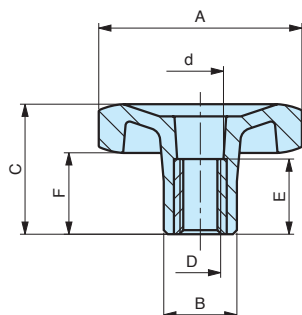
**Materiale:** Tecnopolimero nero, finitura opaca.  
Black thermoplastic, mat.  
Plastique polyamide, surface mat.

MODELLO DEPOSITATO

# LB/FP

## Volantino a sei lobi Six lobe-knob

## Petit volant à six lobes



Bussola ottone foro passante filettato.  
Brass insert with tapped through hole.  
Insert en laiton traversant taraudé.

cod.	modello	A	B	C	F	D	E	d
6371005	<b>LB/20/FP</b>	20	11	20	12	M 4	11	7
6371010	<b>LB/20/FP</b>	20	11	20	12	M 5	11	7
6371015	<b>LB/20/FP</b>	20	11	20	12	M 6	11	7
6371020	<b>LB/30/FP</b>	30	14	24	15	M 5	11	8
6371025	<b>LB/30/FP</b>	30	14	24	15	M 6	11	8
6371030	<b>LB/30/FP</b>	30	14	24	15	M 8	11	10
6371035	<b>LB/40/FP</b>	40	16	28	18	M 6	15	7
6371040	<b>LB/40/FP</b>	40	16	28	18	M 8	15	11
6371045	<b>LB/40/FP</b>	40	16	28	18	M10	15	11
6371050	<b>LB/50/FP</b>	50	18	32	20	M 8	18	11
6371055	<b>LB/50/FP</b>	50	18	32	20	M10	18	11
6371065	<b>LB/60/FP</b>	60	20	36	22	M10	25	13
6371070	<b>LB/60/FP</b>	60	20	36	22	M12	25	13
6371080	<b>LB/70/FP</b>	70	23	40	24	M12	25	14
6371085	<b>LB/70/FP</b>	70	23	40	24	M14	25	15
6371090	<b>LB/70/FP</b>	70	23	40	24	M16	25	17

**NOTE:** Si forniscono, per quantità adeguate, in colori diversi e con inserti a misura in acciaio, in ottone, in acciaio inox.

**Materiale:** Tecnopolimero nero, finitura opaca.  
Black thermoplastic, mat.  
Plastique polyamide, surface mat.

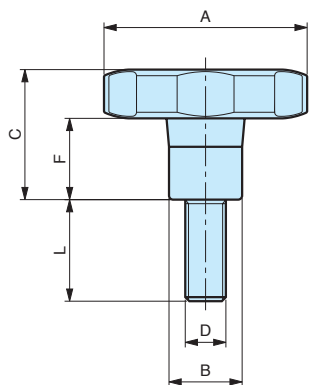
MODELLO DEPOSITATO



# LP

## Volantino a sei lobi Six lobe-knob

## Petit volant à six lobes



Perno in acciaio zincato filettato.  
Threaded zinc plated steel stud.  
Tige filetée en acier zingué.

cod.	modello	A	B	C	F	D	L
6372005	LP/20	20	11	20	12	M 4	10
6372010	LP/20	20	11	20	12	M 4	15
6372020	LP/20	20	11	20	12	M 5	15
6372025	LP/20	20	11	20	12	M 5	20
6372030	LP/20	20	11	20	12	M 5	25
6372040	LP/20	20	11	20	12	M 6	10
6372045	LP/20	20	11	20	12	M 6	15
6372050	LP/20	20	11	20	12	M 6	20
6372075	LP/30	30	14	24	15	M 6	15
6372080	LP/30	30	14	24	15	M 6	20
6372085	LP/30	30	14	24	15	M 6	25
6372090	LP/30	30	14	24	15	M 6	30
6372100	LP/30	30	14	24	15	M 6	40
6372105	LP/30	30	14	24	15	M 8	15
6372110	LP/30	30	14	24	15	M 8	20
6372115	LP/30	30	14	24	15	M 8	25
6372120	LP/30	30	14	24	15	M 8	30
6372125	LP/30	30	14	24	15	M 8	35
6372135	LP/40	40	16	28	18	M 6	20
6372145	LP/40	40	16	28	18	M 6	30
6372155	LP/40	40	16	28	18	M 6	40
6372165	LP/40	40	16	28	18	M 8	15
6372170	LP/40	40	16	28	18	M 8	20
6372175	LP/40	40	16	28	18	M 8	25
6372180	LP/40	40	16	28	18	M 8	30
6372190	LP/40	40	16	28	18	M 8	40
6372200	LP/40	40	16	28	18	M 8	50
6372210	LP/50	50	18	32	20	M 8	15
6372215	LP/50	50	18	32	20	M 8	20
6372225	LP/50	50	18	32	20	M 8	30
6372235	LP/50	50	18	32	20	M 8	40
6372242	LP/50	50	18	32	20	M 8	60
6372245	LP/50	50	18	32	20	M10	20
6372255	LP/50	50	18	32	20	M10	30
6372265	LP/50	50	18	32	20	M10	40
6372275	LP/50	50	18	32	20	M10	50
6372290	LP/60	60	20	36	22	M 8	30
6372295	LP/60	60	20	36	22	M10	30
6372305	LP/60	60	20	36	22	M10	40
6372315	LP/60	60	20	36	22	M10	50
6372330	LP/60	60	20	36	22	M12	30
6372340	LP/60	60	20	36	22	M12	40
6372350	LP/60	60	20	36	22	M12	50
6372360	LP/70	70	23	40	24	M10	30
6372380	LP/70	70	23	40	24	M12	30
6372390	LP/70	70	23	40	24	M12	40
6372400	LP/70	70	23	40	24	M12	50

**NOTE:** Si forniscono, per quantità adeguate, in colori diversi e con inserti a misura in acciaio, in ottone, in acciaio inox.

**Materiale:** Tecnopolimero nero, finitura opaca.  
Black thermoplastic, mat.  
Plastique polyamide, surface mat.

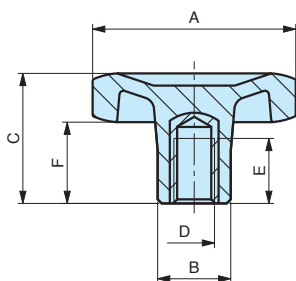
MODELLO DEPOSITATO

INOX - STAINLESS STEEL

# LBX

Volantino a sei lobi  
Six lobe-knob

Petit volant à six lobes



Bussola acciaio inox e foro cieco filettato.  
Stainless steel insert with tapped blind hole.  
Insert en acier inoxydable taraudé.

cod.	modello	A	B	C	D	E	F
6370500	<b>LBX/30</b>	30	14	24	M 6	9	15
6370510	<b>LBX/40</b>	40	16	28	M 8	13	18
6370520	<b>LBX/50</b>	50	18	32	M 10	16	20

**NOTE:** Si forniscono, per quantità adeguate, in colori diversi e con inserti a misura.

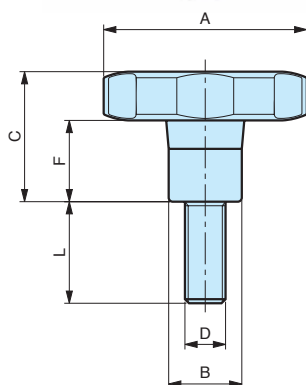
**Materiale:** Tecnopolimero nero.  
Black thermoplastic.  
Plastique polyamide noir.

INOX - STAINLESS STEEL

# LPX

Volantino a sei lobi  
Six lobe-knob

Petit volant à six lobes



Perno in acciaio inox filettato.  
Threaded stainless steel stud.  
Tige filetée en acier inoxydable.

cod.	modello	A	B	C	F	D	L
6372600	<b>LPX/30</b>	30	14	24	15	M 6	20
6372610	<b>LPX/30</b>	30	14	24	15	M 6	30
6372630	<b>LPX/40</b>	40	16	28	18	M 8	20
6372640	<b>LPX/40</b>	40	16	28	18	M 8	30
6372660	<b>LPX/50</b>	50	18	32	20	M 10	25
6372670	<b>LPX/50</b>	50	18	32	20	M 10	30

**NOTE:** Si forniscono, per quantità adeguate, in colori diversi e con inserti a misura.

**Materiale:** Tecnopolimero nero.  
Black thermoplastic.  
Plastique polyamide noir.

# VBA

## Volantino a otto lobi Eight lobe-knob

## Petit volant à huit lobes



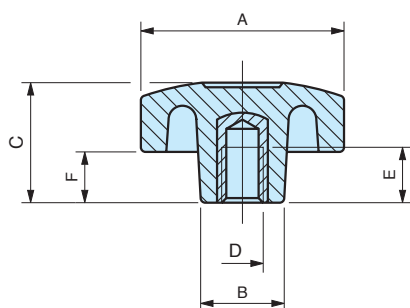
Bussola ottone e foro cieco filettato.  
Brass insert with tapped blind hole.  
Insert en laiton borgne taraudé.

cod.	modello	A	B	C	D	E	F
6303005	VBA/25	25	13	17	M 4	9	8
6303010	VBA/25	25	13	17	M 5	9	8
6303015	VBA/25	25	13	17	M 6	9	8
6303020	VBA/35	35	18	20	M 6	13	8
6303025	VBA/35	35	18	20	M 8	13	8
6303030	VBA/35	35	18	20	M 10	13	8
6303033	VBA/45	45	22	26	M 5	13	12
6303035	VBA/45	45	22	26	M 6	13	12
6303040	VBA/45	45	22	26	M 8	13	12
6303045	VBA/45	45	22	26	M 10	13	12
6303050	VBA/55	55	25	29	M 8	15	15
6303055	VBA/55	55	25	29	M 10	16	15
6303060	VBA/55	55	25	29	M 12	18	15

**NOTE:** Si forniscono, per quantità adeguate, in colori diversi e con inserti a misura in acciaio, in ottone, in acciaio inox.

**Materiale:** Tecnopolimero nero, finitura opaca.  
Black thermoplastic, mat.  
Plastique polyamide, surface mat.

MODELLO DEPOSITATO



# VBA/FP

## Volantino a otto lobi Eight lobe-knob

## Petit volant à huit lobes



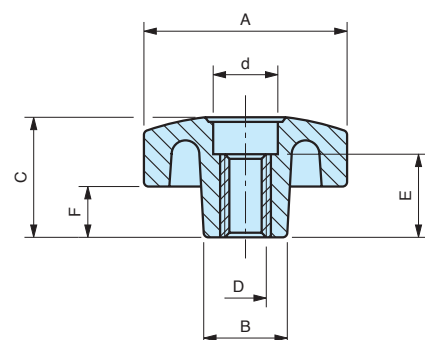
Bussola ottone foro passante filettato.  
Brass insert with tapped through hole.  
Insert en laiton traversant taraudé.

cod.	modello	A	B	C	D	F	d	E
6303200	VBA/25/FP	25	13	17	M 4	8	7	11
6303205	VBA/25/FP	25	13	17	M 5	8	7	11
6303210	VBA/25/FP	25	13	17	M 6	8	7	11
6303215	VBA/35/FP	35	18	20	M 6	8	11	15
6303220	VBA/35/FP	35	18	20	M 8	8	11	15
6303225	VBA/35/FP	35	18	20	M 10	8	11	15
6303235	VBA/45/FP	45	22	26	M 6	12	11	18
6303240	VBA/45/FP	45	22	26	M 8	12	11	18
6303245	VBA/45/FP	45	22	26	M 10	12	11	18
6303250	VBA/55/FP	55	25	29	M 8	15	13	18
6303255	VBA/55/FP	55	25	29	M 10	15	13	18
6303260	VBA/55/FP	55	25	29	M 12	15	13	18

**NOTE:** Si forniscono, per quantità adeguate, in colori diversi e con inserti a misura in acciaio, in ottone, in acciaio inox.

**Materiale:** Tecnopolimero nero, finitura opaca.  
Black thermoplastic, mat.  
Plastique polyamide, surface mat.

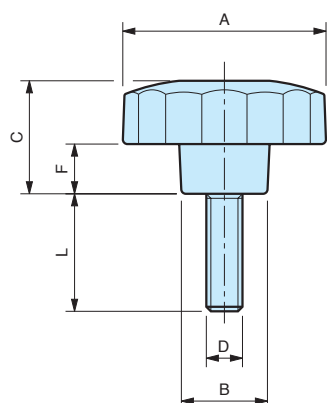
MODELLO DEPOSITATO



# VPA

## Volantino a otto lobi Eight lobe-knob

## Petit volant à huit lobes



Perno in acciaio zincato filettato.  
Threaded zinc plated steel stud.  
Tige filetée en acier zingué.

cod.	modello	A	B	C	F	D	L
6302005	VPA/25	25	13	17	8	M 4	10
6302010	VPA/25	25	13	17	8	M 4	15
6302015	VPA/25	25	13	17	8	M 5	10
6302020	VPA/25	25	13	17	8	M 5	15
6302025	VPA/25	25	13	17	8	M 5	25
6302030	VPA/25	25	13	17	8	M 6	10
6302035	VPA/25	25	13	17	8	M 6	15
6302036	VPA/25	25	13	17	8	M 6	20
6302040	VPA/25	25	13	17	8	M 6	25
6302045	VPA/35	35	18	20	8	M 6	10
6302047	VPA/35	35	18	20	8	M 6	15
6302050	VPA/35	35	18	20	8	M 6	20
6302055	VPA/35	35	18	20	8	M 6	25
6302060	VPA/35	35	18	20	8	M 6	35
6302065	VPA/35	35	18	20	8	M 8	15
6302067	VPA/35	35	18	20	8	M 8	20
6302070	VPA/35	35	18	20	8	M 8	25
6302075	VPA/35	35	18	20	8	M 8	35
6302080	VPA/35	35	18	20	8	M 8	40
6302090	VPA/35	35	18	20	8	M 10	30
6302110	VPA/45	45	22	26	12	M 8	15
6302115	VPA/45	45	22	26	12	M 8	20
6302120	VPA/45	45	22	26	12	M 8	25
6302125	VPA/45	45	22	26	12	M 8	30
6302130	VPA/45	45	22	26	12	M 8	35
6302135	VPA/45	45	22	26	12	M 8	40
6302140	VPA/45	45	22	26	12	M 10	20
6302145	VPA/45	45	22	26	12	M 10	30
6302150	VPA/45	45	22	26	12	M 10	35
6302155	VPA/45	45	22	26	12	M 10	40
6302158	VPA/55	55	25	29	15	M 8	15
6302160	VPA/55	55	25	29	15	M 8	20
6302165	VPA/55	55	25	29	15	M 8	30
6302170	VPA/55	55	25	29	15	M 8	40
6302173	VPA/55	55	25	29	15	M 10	15
6302175	VPA/55	55	25	29	15	M 10	20
6302180	VPA/55	55	25	29	15	M 10	30
6302185	VPA/55	55	25	29	15	M 10	40
6302190	VPA/55	55	25	29	15	M 12	30
6302195	VPA/55	55	25	29	15	M 12	40

**NOTE:** Si forniscono, per quantità adeguate, in colori diversi e con inserti a misura in acciaio, in ottone, in acciaio inox.

**Materiale:** Tecnopolimero nero, finitura opaca.  
Black thermoplastic, mat.  
Plastique polyamide, surface mat.

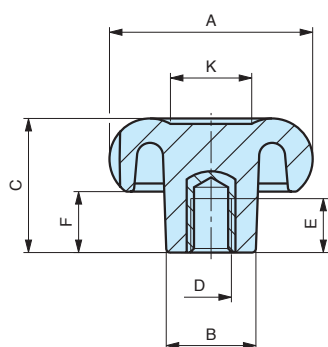
# VTB

## Volantino a tre lobi Three lobe-knob

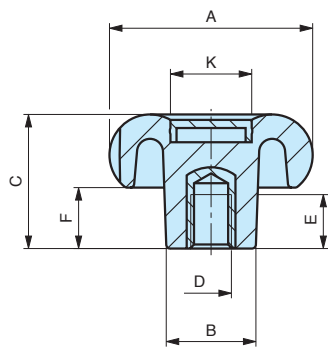
## Petit volant à trois lobes



**Disegno:** versione senza tappo colorato



**Disegno:** versione con tappo colorato



**Tappi**



Bussola ottone e foro cieco filettato.  
Brass insert with tapped blind hole.  
Insert en laiton borgne taraudé.

cod.	modello	A	B	C	F	K	D	E
6389005	<b>VTB/20</b>	20	12	18	10	8	M 4	9
6389010	<b>VTB/20</b>	20	12	18	10	8	M 5	9
6389015	<b>VTB/20</b>	20	12	18	10	8	M 6	9
6389020	<b>VTB/30</b>	30	14	22	11	11	M 5	9
6389025	<b>VTB/30</b>	30	14	22	11	11	M 6	9
6389030	<b>VTB/30</b>	30	14	22	11	11	M 8	9
6389035	<b>VTB/40</b>	40	18	28	13	15	M 6	13
6389040	<b>VTB/40</b>	40	18	28	13	15	M 8	13
6389045	<b>VTB/40</b>	40	18	28	13	15	M 10	13
6389050	<b>VTB/50</b>	50	22	33	15	20	M 8	15
6389055	<b>VTB/50</b>	50	22	33	15	20	M 10	16
6389060	<b>VTB/50</b>	50	22	33	15	20	M 12	18
6389070	<b>VTB/60</b>	60	26	39	18	25	M 10	16
6389075	<b>VTB/60</b>	60	26	39	18	25	M 12	18
6389090	<b>VTB/70</b>	70	30	44	21	30	M 12	18
6389095	<b>VTB/70</b>	70	30	44	21	30	M 14	20
6389100	<b>VTB/70</b>	70	30	44	21	30	M 16	20

**NOTE:** Si forniscono, per quantità adeguate, con inserti a misura in acciaio, in ottone, in acciaio inox.

È disponibile anche la versione (a partire dal D.30 fino al D.70 mm compresi) con tappo in vari colori, fornito smontato. Per quantità adeguate il tappo può essere personalizzato con marchi e/o simboli grafici.

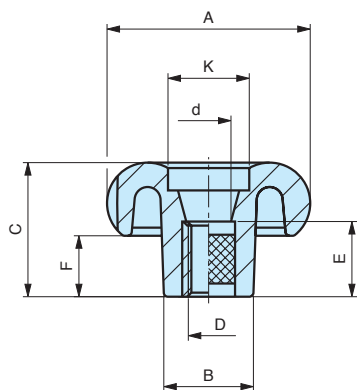
**Materiale:** Tecnopolimero nero, finitura opaca.  
Black thermoplastic, mat.  
Plastique polyamide, surface mat.

Colori disponibili:	Nero	Ral 9005
	Rosso	Ral 3000
	Blu	Ral 5019
	Arancio	Ral 2004
	Grigio	Ral 7035
	Giallo	Ral 1021

# VTB/FP

## Volantino a tre lobi Three lobe-knob

## Petit volant à trois lobes



Bussola ottone e foro passante filettato.  
Brass insert with tapped through hole.  
Insert en laiton traversant taraudé.

cod.	modello	A	B	C	F	K	D	E	d
6390005	VTB/20/FP	20	12	18	10	8	M 4	11	7
6390010	VTB/20/FP	20	12	18	10	8	M 5	11	7
6390015	VTB/20/FP	20	12	18	10	8	M 6	11	7
6390020	VTB/30/FP	30	14	22	11	11	M 5	11	9
6390025	VTB/30/FP	30	14	22	11	11	M 6	11	9
6390030	VTB/30/FP	30	14	22	11	11	M 8	11	9
6390035	VTB/40/FP	40	18	28	13	15	M 6	15	11
6390040	VTB/40/FP	40	18	28	13	15	M 8	15	11
6390045	VTB/40/FP	40	18	28	13	15	M 10	15	11
6390050	VTB/50/FP	50	22	33	15	20	M 8	18	13
6390055	VTB/50/FP	50	22	33	15	20	M 10	18	13
6390060	VTB/50/FP	50	22	33	15	20	M 12	18	13
6390070	VTB/60/FP	60	26	39	18	25	M 10	25	13
6390075	VTB/60/FP	60	26	39	18	25	M 12	25	13
6390090	VTB/70/FP	70	30	44	21	30	M 12	25	17
6390095	VTB/70/FP	70	30	44	21	30	M 14	25	17
6390100	VTB/70/FP	70	30	44	21	30	M 16	25	17

**NOTE:** Si forniscono, per quantità adeguate,  
in colori diversi e con inserti a misura in acciaio,  
in ottone, in acciaio inox.

**Materiale:** Tecnopolimero nero, finitura opaca.  
Black thermoplastic, mat.  
Plastique polyamide, surface mat.

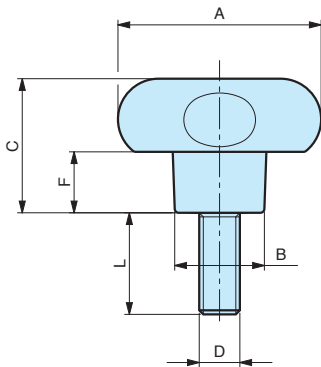
# VTP

## Volantino a tre lobi Three lobe-knob

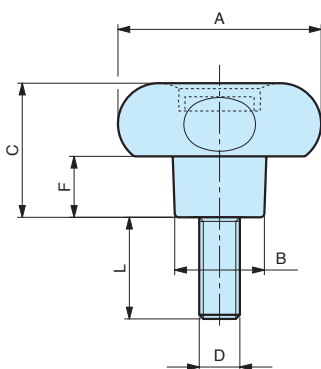
## Petit volant à trois lobes



Disegno: versione senza tappo



Disegno: versione con tappo



### Tappi



Perno in acciaio zincato filettato.  
Threaded zinc plated steel stud.  
Tige filetée en acier zingué.

cod.	modello	A	B	C	F	D	L
6391005	VTP/20	20	12	18	10	M4	10
6391010	VTP/20	20	12	18	10	M4	15
6391025	VTP/20	20	12	18	10	M5	10
6391030	VTP/20	20	12	18	10	M5	15
6391035	VTP/20	20	12	18	10	M5	20
6391040	VTP/20	20	12	18	10	M5	25
6391050	VTP/20	20	12	18	10	M6	10
6391055	VTP/20	20	12	18	10	M6	15
6391060	VTP/20	20	12	18	10	M6	20
6391065	VTP/20	20	12	18	10	M6	25
6391080	VTP/30	30	14	22	11	M5	15
6391085	VTP/30	30	14	22	11	M5	20
6391095	VTP/30	30	14	22	11	M6	15
6391100	VTP/30	30	14	22	11	M6	20
6391105	VTP/30	30	14	22	11	M6	25
6391110	VTP/30	30	14	22	11	M6	30
6391120	VTP/30	30	14	22	11	M6	40
6391130	VTP/30	30	14	22	11	M8	15
6391135	VTP/30	30	14	22	11	M8	20
6391140	VTP/30	30	14	22	11	M8	25
6391145	VTP/30	30	14	22	11	M8	30
6391150	VTP/30	30	14	22	11	M8	35
6391160	VTP/30	30	14	22	11	M8	45
6391180	VTP/40	40	18	28	13	M6	20
6391190	VTP/40	40	18	28	13	M6	30
6391200	VTP/40	40	18	28	13	M6	40
6391215	VTP/40	40	18	28	13	M8	15
6391220	VTP/40	40	18	28	13	M8	20
6391225	VTP/40	40	18	28	13	M8	25
6391230	VTP/40	40	18	28	13	M8	30
6391235	VTP/40	40	18	28	13	M8	35
6391240	VTP/40	40	18	28	13	M8	40
6391255	VTP/40	40	18	28	13	M10	20
6391260	VTP/40	40	18	28	13	M10	30
6391280	VTP/50	50	22	33	15	M8	15
6391285	VTP/50	50	22	33	15	M8	20
6391300	VTP/50	50	22	33	15	M8	40
6391310	VTP/50	50	22	33	15	M8	60
6391320	VTP/50	50	22	33	15	M10	20
6391330	VTP/50	50	22	33	15	M10	30
6391340	VTP/50	50	22	33	15	M10	40
6391360	VTP/50	50	22	33	15	M12	30
6391370	VTP/50	50	22	33	15	M12	40
6391390	VTP/60	60	26	39	18	M10	20
6391395	VTP/60	60	26	39	18	M10	30
6391400	VTP/60	60	26	39	18	M10	40
6391405	VTP/60	60	26	39	18	M10	50
6391420	VTP/60	60	26	39	18	M12	30
6391425	VTP/60	60	26	39	18	M12	40
6391430	VTP/60	60	26	39	18	M12	50
6391435	VTP/60	60	26	39	18	M12	60
6391460	VTP/70	70	30	44	21	M12	30
6391465	VTP/70	70	30	44	21	M12	40
6391470	VTP/70	70	30	44	21	M12	50
6391480	VTP/70	70	30	44	21	M14	40
6391485	VTP/70	70	30	44	21	M14	50

**NOTE:** Si forniscono, per quantità adeguate, con inserti a misura in acciaio, in ottone, in acciaio inox.

È disponibile anche la versione (a partire dal D.30 fino al D.70 mm compresi) con tappo in vari colori, fornito smontato. Per quantità adeguate il tappo può essere personalizzato con marchi e/o simboli grafici.

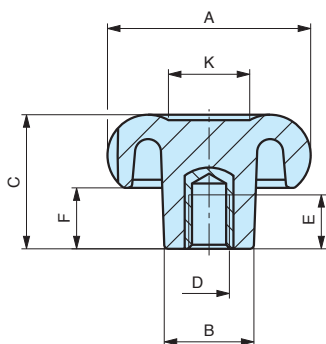
**Materiale:** Tecnopolimero nero, finitura opaca.  
Black thermoplastic, mat.  
Plastique polyamide, surface mat.

INOX - STAINLESS STEEL

# VTBX

Volantino a tre lobi  
Three lobe-knob

Petit volant à trois lobes



Bussola acciaio inox e foro cieco filettato.  
Stainless steel insert with tapped blind hole.  
Insert en acier inoxydable taraudé.

cod.	modello	A	B	C	D	E	F	K
6389500	<b>VTBX/30</b>	30	14	22	M 6	9	11	11
6389510	<b>VTBX/40</b>	40	18	28	M 8	13	13	15
6389520	<b>VTBX/50</b>	50	22	33	M 10	16	15	20

**NOTE:** Si forniscono, per quantità adeguate, in colori diversi e con inserti a misura.

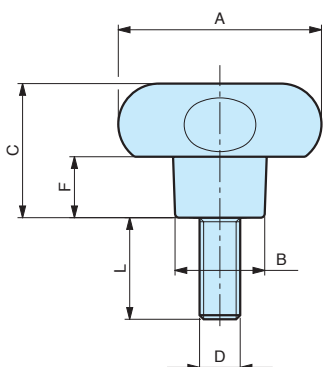
**Materiale:** Tecnopolimero nero.  
Black thermoplastic.  
Plastique polyamide noir.

INOX - STAINLESS STEEL

# VTPX

Volantino a tre lobi  
Three lobe-knob

Petit volant à trois lobes



Perno in acciaio inox filettato.  
Threaded stainless steel stud.  
Tige filetée en acier inoxydable.

cod.	modello	A	B	C	F	D	L
6391700	<b>VTPX/30</b>	30	14	22	11	M 6	20
6391710	<b>VTPX/30</b>	30	14	22	11	M 6	30
6391730	<b>VTPX/40</b>	40	18	28	13	M 8	20
6391740	<b>VTPX/40</b>	40	18	28	13	M 8	30
6391760	<b>VTPX/50</b>	50	22	33	15	M 10	25
6391770	<b>VTPX/50</b>	50	22	33	15	M 10	30

**NOTE:** Si forniscono, per quantità adeguate, in colori diversi e con inserti a misura.

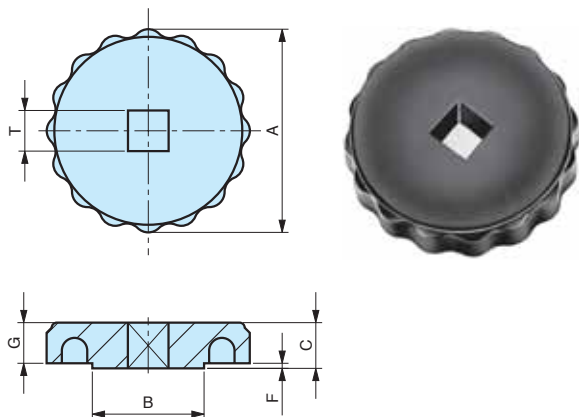
**Materiale:** Tecnopolimero nero.  
Black thermoplastic.  
Plastique polyamide noir.



# V/40/Q

Volantino lobato passante  
Lobe-knob

Petit volant à lobes



Foro quadro passante.  
Square through hole.  
Trou traversant carré.

cod.	modello	A	B	C	T	F	G
6304200	V/40/Q	40	20	9	6x6	1	8
6304205	V/40/Q	40	20	9	8x8	1	8

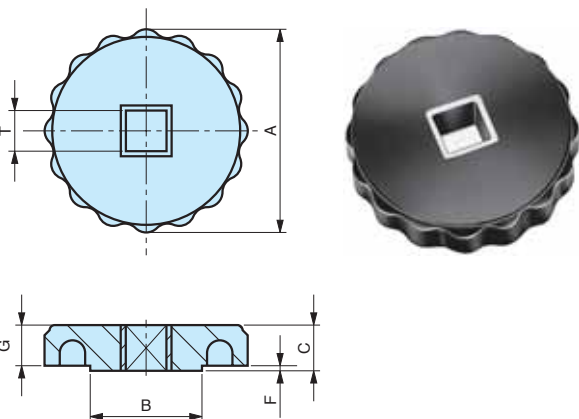
**NOTE:** Si forniscono, per quantità adeguate, in colori diversi.

**Materiale:** Tecnopolimero nero.  
Black thermoplastic.  
Plastique polyamide.

# V/40/BQ

Volantino lobato passante  
Lobe-knob

Petit volant à lobes



Bussola ottone foro quadro passante.  
Brass insert with square through hole.  
Insert en laiton traversant carré.

cod.	modello	A	B	C	T	F	G
6304400	V/40/BQ	40	20	9	6x6	1	8
6304405	V/40/BQ	40	20	9	8x8	1	8

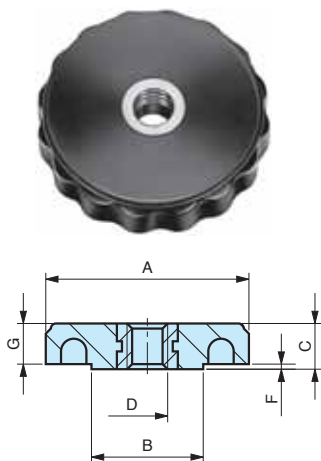
**NOTE:** Si forniscono, per quantità adeguate, in colori diversi.

**Materiale:** Tecnopolimero nero.  
Black thermoplastic.  
Plastique polyamide.

# V/40/PS

Volantino lobato passante  
Lobe-knob

Petit volant à lobes



Bussola ottone foro passante filettato.  
Brass insert with tapped through hole.  
Insert en laiton traversant taraudé.

cod.	modello	A	B	C	D	F	G
6304300	V/40/PS	40	20	9	M 8	1	8
6304305	V/40/PS	40	20	9	M 10	1	8

**NOTE:** Si forniscono, per quantità adeguate, in colori diversi.

**Materiale:** Tecnopolimero nero.  
Black thermoplastic.  
Plastique polyamide.

# VEG

## Volantino ergonomico gofrato Embossed ergonomic knob

## Bouton ergonomique

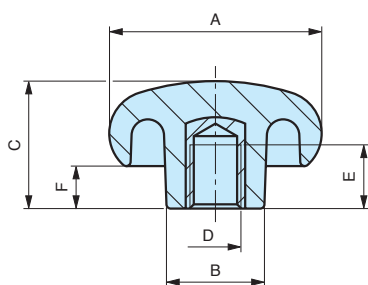


Bussola ottone e foro cieco filettato.  
Brass insert with tapped blind hole.  
Insert en laiton borgne taraudé.

cod.	modello	A	B	C	D	E	F
6343005	<b>VEG/50</b>	50	23	30	M10	16	10
6343010	<b>VEG/50</b>	50	23	30	M12	18	10

**NOTE:** Si forniscono, per quantità adeguate, in colori diversi e con inserti a misura in acciaio, in ottone, in acciaio inox.

**Materiale:** Tecnopolimero nero.  
Black thermoplastic.  
Plastique polyamide.



MODELLO DEPOSITATO

# VEG

## Volantino ergonomico gofrato Embossed ergonomic knob

## Bouton ergonomique

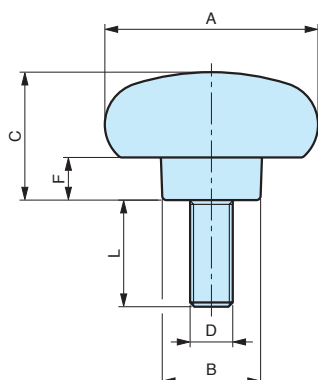


Perno in acciaio zincato filettato.  
Threaded zinc plated steel stud.  
Tige filetée en acier zingué.

cod.	modello	A	B	C	F	D	L
6343100	<b>VEG/50</b>	50	23	30	10	M 8	15
6343105	<b>VEG/50</b>	50	23	30	10	M 10	20

**NOTE:** Si forniscono, per quantità adeguate, in colori diversi e con inserti a misura in acciaio, in ottone, in acciaio inox.

**Materiale:** Tecnopolimero nero.  
Black thermoplastic.  
Plastique polyamide.



MODELLO DEPOSITATO

# VB/P

## Volantino pieno zigrinato Solid flat knurled knob

## Petit volant cannelé

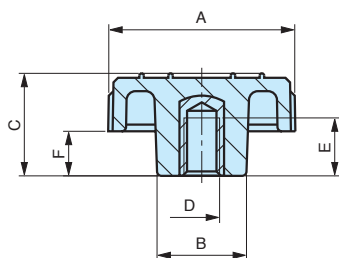


Bussola ottone e foro cieco filettato.  
Brass insert with tapped blind hole.  
Insert en laiton borgne taraudé.

cod.	modello	A	B	C	E	D	F
6304045	VB/40/P	40	20	22	13	M 6	9
6304050	VB/40/P	40	20	22	13	M 8	9
6304055	VB/40/P	40	20	22	13	M 10	9

**NOTE:** Si forniscono, per quantità adeguate, in colori diversi e con inserti a misura in acciaio, in ottone, in acciaio inox.

**Materiale:** Tecnopolimero nero.  
Black thermoplastic.  
Plastique polyamide.



# VB/PFP

## Volantino pieno zigrinato Solid flat knurled knob

## Petit volant cannelé

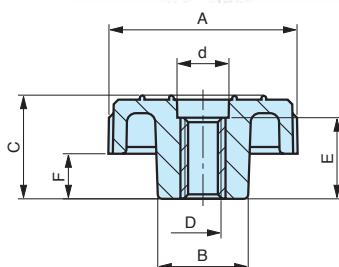


Bussola ottone foro passante filettato.  
Brass insert with tapped through hole.  
Insert en laiton traversant taraudé.

cod.	modello	A	B	C	E	F	d	D
6304070	VB/40/PFP	40	20	22	18	9	12	M 6
6304075	VB/40/PFP	40	20	22	18	9	12	M 8
6304080	VB/40/PFP	40	20	22	18	9	12	M 10

**NOTE:** Si forniscono, per quantità adeguate, in colori diversi e con inserti a misura in acciaio, in ottone, in acciaio inox.

**Materiale:** Tecnopolimero nero.  
Black thermoplastic.  
Plastique polyamide.



# VP/P

## Volantino pieno zigrinato Solid flat knurled knob

## Petit volant cannelé

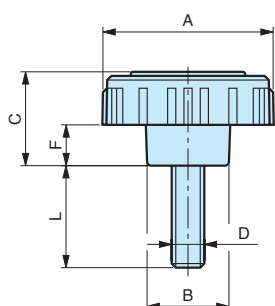


Perno in acciaio zincato filettato.  
Threaded zinc plated steel stud.  
Tige filetée en acier zingué.

cod.	modello	A	B	D	L	C	F
6304003	VP/40/P	40	20	M6	25	22	9
6304005	VP/40/P	40	20	M8	25	22	9

**NOTE:** Si forniscono, per quantità adeguate, in colori diversi e con inserti a misura in acciaio, in ottone, in acciaio inox.

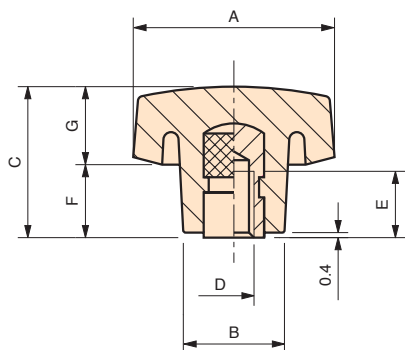
**Materiale:** Tecnopolimero nero.  
Black thermoplastic.  
Plastique polyamide.



# VM

## Volantino a sei lobi Six lobe-knob

## Petit volant à six lobes



Bussola ottone sporgente e foro cieco filettato.  
Protruding brass insert with tapped blind hole.  
Insert en laiton borgne taraudé saillant.

cod.	modello	A	B	C	D	E	F	G	colore
6115005	VM/20	20	13	16	M 6	9	8	8	NERO
6115010	VM/20	20	13	16	M 6	9	8	8	ROSSO
6115015	VM/40	40	21	28	M 8	15	13	15	NERO
6115020	VM/40	40	21	28	M 8	15	13	15	ROSSO
6115025	VM/40	40	21	28	M 10	16	13	15	NERO
6115030	VM/40	40	21	28	M 10	16	13	15	ROSSO
6115035	VM/50	50	25	32	M 10	16	15	17	NERO
6115040	VM/50	50	25	32	M 10	16	15	17	ROSSO
6115045	VM/50	50	25	32	M 12	18	15	17	NERO
6115050	VM/50	50	25	32	M 12	18	15	17	ROSSO

**NOTE:** Non disponibili a magazzino.

Si forniscono, per quantità adeguate, in colori diversi e con inserti a misura in acciaio, in ottone, in acciaio inox.

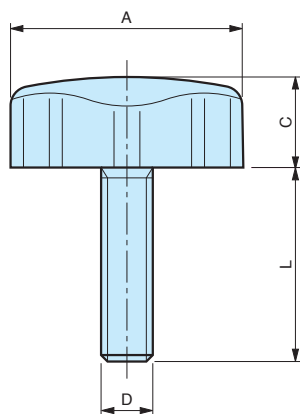
**Materiale:** Duroplasto.

Black or red phenolic plastic.  
Duroplast noir ou rouge.

# VSP

## Volantino a sei lobi Six lobe-knob

## Petit volant à six lobes



Perno in acciaio zincato filettato.  
Threaded zinc plated steel stud.  
Tige filetée en acier zingué.

cod.	modello	A	C	D	L
6301005	VSP/13	13	7	M4	8
6301010	VSP/18	18	7	M4	10

**NOTE:** Si forniscono, per quantità adeguate, in colori diversi e con inserti a misura in acciaio, in ottone, in acciaio inox.

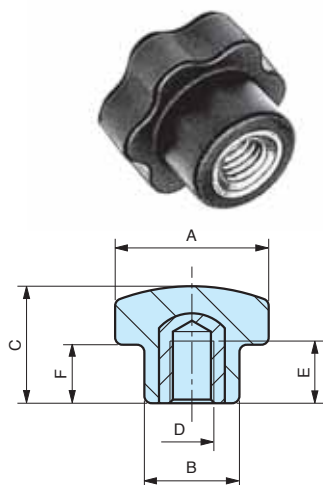
**Materiale:** Tecnopolimero nero.

Black thermoplastic.  
Plastique polyamide.

# VSB

## Volantino a sei lobi Six lobe-knob

## Petit volant à six lobes



Bussola ottone e foro cieco filettato.  
Brass insert with tapped blind hole.  
Insert en laiton borgne taraudé.

cod.	modello	A	B	C	D	E	F
6329045	<b>VSB/21</b>	21	13	15	M4	8	8
6329050	<b>VSB/21</b>	21	13	15	M5	8	8
6329055	<b>VSB/21</b>	21	13	15	M6	8	8

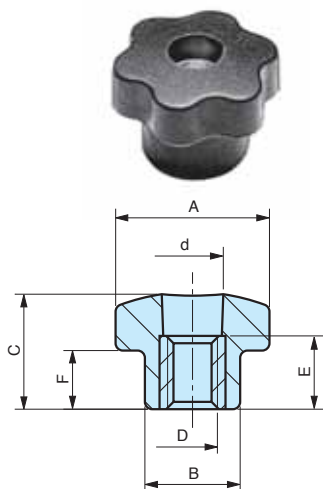
**NOTE:** Si forniscono, per quantità adeguate, in colori diversi e con inserti a misura in acciaio, in ottone, in acciaio inox.

**Materiale:** Tecnopolimero nero, finitura opaca.  
Black thermoplastic, mat.  
Plastique polyamide, surface mat.

# VSB/FP

## Volantino a sei lobi Six lobe-knob

## Petit volant à six lobes



Bussola ottone foro passante filettato.  
Brass insert with tapped through hole.  
Insert en laiton traversant taraudé.

cod.	modello	A	B	C	D	d	E	F
6329095	<b>VSB/21/FP</b>	21	13	15	M4	7	11	8
6329100	<b>VSB/21/FP</b>	21	13	15	M5	7	11	8
6329105	<b>VSB/21/FP</b>	21	13	15	M6	7	11	8

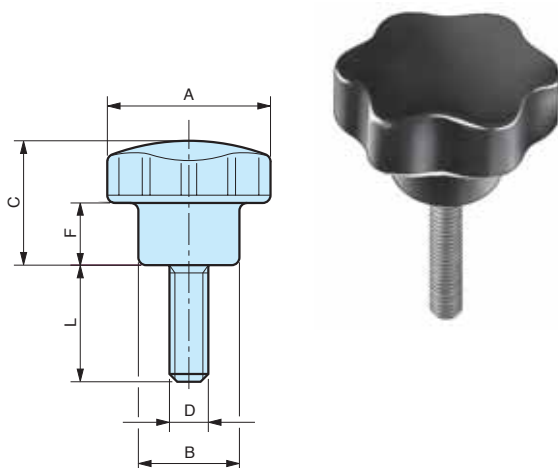
**NOTE:** Si forniscono, per quantità adeguate, in colori diversi e con inserti a misura in acciaio, in ottone, in acciaio inox.

**Materiale:** Tecnopolimero nero, finitura opaca.  
Black thermoplastic, mat.  
Plastique polyamide, surface mat.

# VSP

## Volantino a sei lobi Six lobe-knob

## Petit volant à six lobes



Perno in acciaio zincato filettato.  
Threaded zinc plated steel stud.  
Tige filetée en acier zingué.

cod.	modello	A	B	C	D	F	L
6342010	<b>VSP/21</b>	21	13	16	M4	8	10
6342030	<b>VSP/21</b>	21	13	16	M4	8	25
6342050	<b>VSP/21</b>	21	13	16	M5	8	10
6342060	<b>VSP/21</b>	21	13	16	M5	8	15

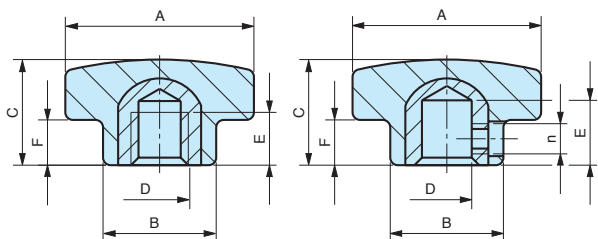
**NOTE:** Si forniscono, per quantità adeguate, in colori diversi e con inserti a misura in acciaio, in ottone, in acciaio inox.

**Materiale:** Tecnopolimero nero, finitura opaca.  
Black thermoplastic, mat.  
Plastique polyamide, surface mat.

# VSB

## Volantino a sei lobi Six lobe-knob

## Petit volant à six lobes



Bussola ottone e foro cieco filettato.  
Brass insert with tapped blind hole.

Insert en laiton borgne taraudé.

cod.	modello	A	B	C	D	E	F	n
6329000	<b>VSB/25</b>	25	15	14	M4	8	6	/
6329015	<b>VSB/25</b>	25	15	14	M5	8	6	/
6329005	<b>VSB/25</b>	25	15	14	M6	8	6	/
6329010	<b>VSB/25</b>	25	15	14	M8	8	6	/
6329020	<b>VSB/25</b>	25	15	14	∅6	9	6	M4

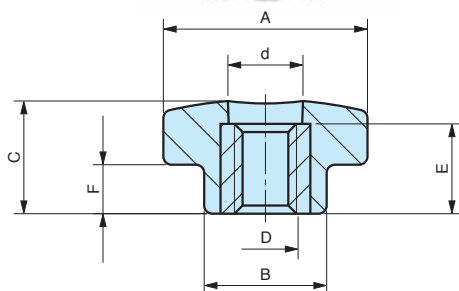
**NOTE:** Si forniscono, per quantità adeguate, in colori diversi e con inserti a misura in acciaio, in ottone, in acciaio inox.

**Materiale:** Tecnopolimero nero, finitura opaca.  
Black thermoplastic, mat.  
Plastique polyamide, surface mat.

# VSB/FP

## Volantino a sei lobi Six lobe-knob

## Petit volant à six lobes



Bussola ottone foro passante filettato.  
Brass insert with tapped through hole.

Insert en laiton traversant taraudé.

cod.	modello	A	B	C	D	d	E	F
6329001	<b>VSB/25/FP</b>	25	15	14	M4	9	11	6
6329016	<b>VSB/25/FP</b>	25	15	14	M5	9	11	6
6329006	<b>VSB/25/FP</b>	25	15	14	M6	9	11	6
6329011	<b>VSB/25/FP</b>	25	15	14	M8	9	11	6

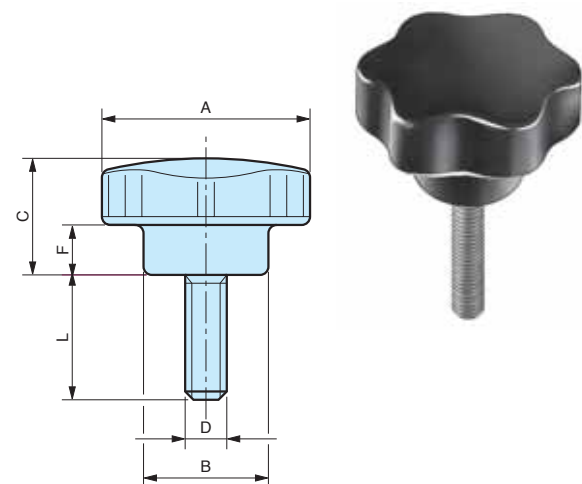
**NOTE:** Si forniscono, per quantità adeguate, in colori diversi e con inserti a misura in acciaio, in ottone, in acciaio inox.

**Materiale:** Tecnopolimero nero, finitura opaca.  
Black thermoplastic, mat.  
Plastique polyamide, surface mat.

# VSP

## Volantino a sei lobi Six lobe-knob

## Petit volant à six lobes



Perno in acciaio zincato filettato.  
Threaded zinc plated steel stud.

Tige filetée en acier zingué.

cod.	modello	A	B	C	F	D	L
6330005	<b>VSP/25</b>	25	15	14	6	M4	10
6330010	<b>VSP/25</b>	25	15	14	6	M5	10
6330025	<b>VSP/25</b>	25	15	14	6	M5	15
6330015	<b>VSP/25</b>	25	15	14	6	M6	15
6330020	<b>VSP/25</b>	25	15	14	6	M6	25

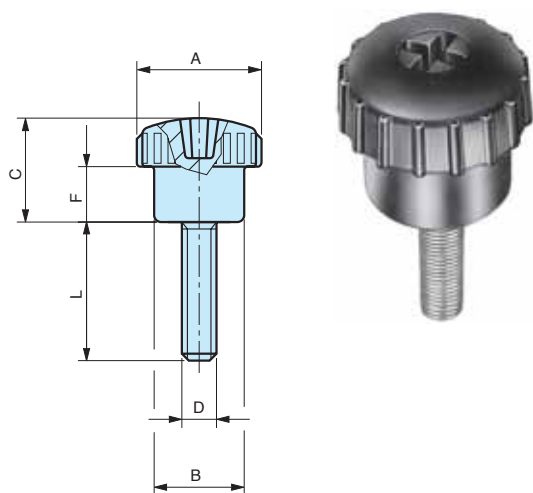
**NOTE:** Si forniscono, per quantità adeguate, in colori diversi e con inserti a misura in acciaio, in ottone, in acciaio inox.

**Materiale:** Tecnopolimero nero, finitura opaca.  
Black thermoplastic, mat.  
Plastique polyamide, surface mat.

# VPC

Volantino bloccaggio testa a croce  
Knurled knob with Philips drive

Petit volant de blocage  
avec empreinte Philips



Perno in acciaio zincato filettato.  
Threaded zinc plated steel stud.

Tige filetée en acier zingué.

cod.	modello	A	B	C	D	F	L
*	<b>VPC/17</b>	17	13	15	M4	8	A richiesta
6334010	<b>VPC/17</b>	17	13	15	M5	8	15
6334015	<b>VPC/17</b>	17	13	15	M5	8	20

**NOTE:** \* Non disponibili a magazzino.

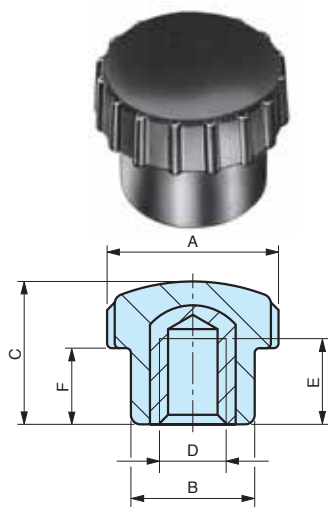
Si forniscono, per quantità adeguate, in colori diversi e con inserti a misura in acciaio, in ottone, in acciaio inox.

**Materiale:** Tecnopolimero nero.  
Black thermoplastic.  
Plastique polyamide.

# VB/P

Volantino zigrinato  
Solid flat knurled knob

Petit volant cannelé



Bussola ottone e foro cieco filettato.  
Brass insert with tapped blind hole.

Insert en laiton borgne taraudé.

cod.	modello	A	B	C	D	E	F
6336000	<b>VB/17/P</b>	17	13	15	M4	8	8
6336005	<b>VB/17/P</b>	17	13	15	M5	8	8
6336010	<b>VB/17/P</b>	17	13	15	M6	8	8

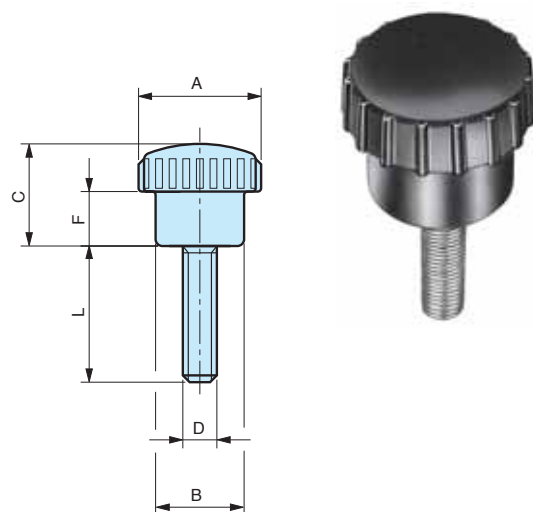
**NOTE:** Si forniscono, per quantità adeguate, in colori diversi e con inserti a misura in acciaio, in ottone, in acciaio inox.

**Materiale:** Tecnopolimero nero.  
Black thermoplastic.  
Plastique polyamide.

# VP/P

Volantino zigrinato  
Solid flat knurled knob

Petit volant cannelé



Perno in acciaio zincato filettato.  
Threaded zinc plated steel stud.

Tige filetée en acier zingué.

cod.	modello	A	B	C	D	F	L
6341010	<b>VP/17/P</b>	17	13	15	M4	8	10
6341030	<b>VP/17/P</b>	17	13	15	M4	8	25
6341050	<b>VP/17/P</b>	17	13	15	M5	8	10
6341060	<b>VP/17/P</b>	17	13	15	M5	8	15

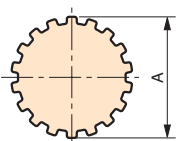
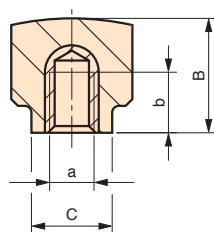
**NOTE:** Si forniscono, per quantità adeguate, in colori diversi e con inserti a misura in acciaio, in ottone, in acciaio inox.

**Materiale:** Tecnopolimero nero.  
Black thermoplastic.  
Plastique polyamide.

# VZB

## Volantino zigrinato Knurled knob

## Bouton moleté



Bussola ottone e foro cieco filettato.  
Brass insert with tapped blind hole.  
Insert en laiton borgne taraudé.

cod.	modello	A	B	C	b	a
7118005	<b>VZB/15</b>	15	12	11	6	M4
7118010	<b>VZB/15</b>	15	12	11	5	M5
7118015	<b>VZB/15</b>	15	12	11	4	M6
7118030	<b>VZB/18</b>	18	17	12	9	M5
7118035	<b>VZB/18</b>	18	17	12	9	M6
7118050	<b>VZB/24</b>	24	17	16	9	M6
7118055	<b>VZB/24</b>	24	17	16	10	M8

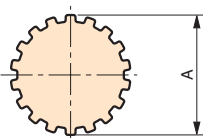
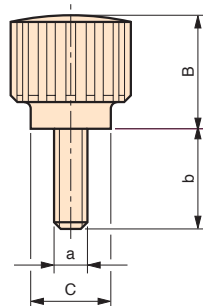
**NOTE:** Si forniscono, per quantità adeguate, in colori diversi e con inserti a misura in acciaio, in ottone, in acciaio inox.

**Materiale:** Duroplasto nero.  
Black phenolic plastic.  
Duroplast noir.

# VZP

## Volantino zigrinato Knurled knob

## Bouton moleté



Perno in acciaio zincato filettato.  
Threaded zinc plated steel stud.  
Tige filetée en acier zingué.

cod.	modello	A	B	C	a	b
7118250	<b>VZP/18</b>	18	18	12	M5	13
7118270	<b>VZP/18</b>	18	18	12	M6	13
7118300	<b>VZP/24</b>	24	18	16	M6	15
7118320	<b>VZP/24</b>	24	18	16	M8	15

**NOTE:** Si forniscono, per quantità adeguate, in colori diversi e con inserti a misura in acciaio, in ottone, in acciaio inox.

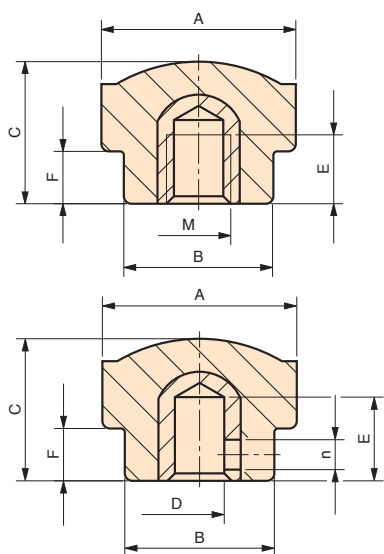
**Materiale:** Duroplasto nero.  
Black phenolic plastic.  
Duroplast noir.



# VBZ

## Volantino zigrinato Knurled knob

## Bouton moleté



Bussola ottone foro cieco filettato o foro liscio.  
Brass insert with tapped blind hole or bored brass insert.  
Insert en laiton borgne taraudé.

cod.	modello	A	B	C	E	F	D	M	n
6128100	<b>VBZ/22</b>	22	15	16	8	6	/	M5	/
6128105	<b>VBZ/22</b>	22	15	16	8	6	/	M6	/
6128005	<b>VBZ/26</b>	26	20	19	10	7	∅6	/	M4
6128010	<b>VBZ/26</b>	26	20	19	9	7	/	M6	/
6128015	<b>VBZ/26</b>	26	20	19	9	7	/	M8	/

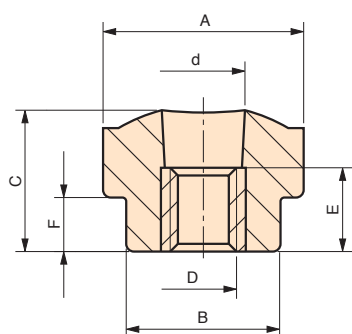
**NOTE:** Grano in acciaio filettato M4, testa a brugola.  
Si forniscono, per quantità adeguate, in colori diversi e con inserti a misura in acciaio, in ottone, in acciaio inox.

**Materiale:** Duroplasto nero.  
Black phenolic plastic.  
Duroplast noir.

# VBZ/FP

## Volantino zigrinato Knurled knob

## Bouton moleté



Bussola ottone foro passante filettato.  
Brass insert with tapped through hole.  
Insert en laiton traversant taraudé.

cod.	modello	A	B	C	D	d	E	F
6128150	<b>VBZ/22/FP</b>	22	15	16	M5	6	8	6
6128155	<b>VBZ/22/FP</b>	22	15	16	M6	7	8	6
6128011	<b>VBZ/26/FP</b>	26	20	19	M6	7	8	7
6128016	<b>VBZ/26/FP</b>	26	20	19	M8	9	8	7

**NOTE:** Si forniscono, per quantità adeguate, in colori diversi e con inserti a misura in acciaio, in ottone, in acciaio inox.

**Materiale:** Duroplasto nero.  
Black phenolic plastic.  
Duroplast noir.

# VPZ

## Volantino zigrinato Knurled knob

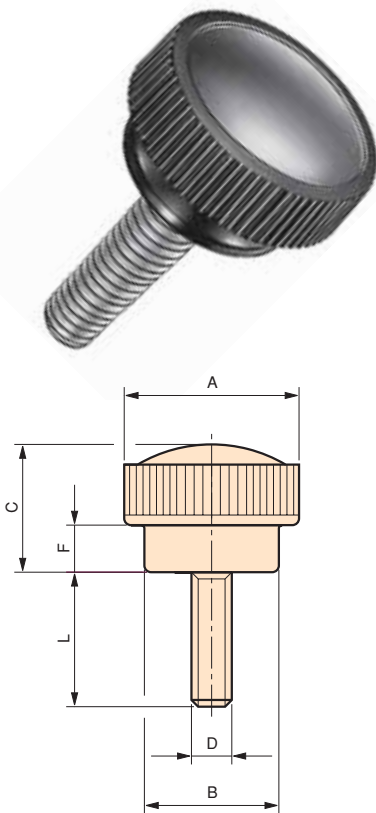
## Bouton moleté

Perno in acciaio zincato filettato.  
Threaded zinc plated steel stud.  
Tige filetée en acier zingué.

cod.	modello	A	C	B	D	L	F
6127005	VPZ/22	22	16	15	M5	10	6
6127010	VPZ/22	22	16	15	M5	15	6
6127015	VPZ/22	22	16	15	M5	25	6
6127020	VPZ/22	22	16	15	M6	10	6
6127025	VPZ/22	22	16	15	M6	15	6
6127030	VPZ/22	22	16	15	M6	20	6
6127035	VPZ/22	22	16	15	M6	30	6
6127040	VPZ/26	26	19	20	M5	10	7
6127045	VPZ/26	26	19	20	M6	15	7
6127050	VPZ/26	26	19	20	M6	25	7
6127055	VPZ/26	26	19	20	M8	25	7

**NOTE:** Si forniscono, per quantità adeguate, in colori diversi e con inserti a misura in acciaio, in ottone, in acciaio inox.

**Materiale:** Duroplasto nero.  
Black phenolic plastic.  
Duroplast noir.



# ZB

## Volantino zigrinato Knurled knob

## Bouton moleté

Bussola ottone foro cieco filettato o foro liscio.  
Brass insert with tapped blind hole or bored brass insert.  
Insert en laiton borgne taraudé.

cod.	modello	A	B	C	E	F	D	M	n
6332050	ZB/15	15	11	14	9	7	/	M4	/
6332055	ZB/15	15	11	14	9	7	/	M5	/
6332000	ZB/22	22	15	14	8	6	/	M4	/
6332005	ZB/22	22	15	14	8	6	/	M5	/
6332010	ZB/22	22	15	14	8	6	/	M6	/
6332015	ZB/22	22	15	14	8	6	/	M8	/
6332020	ZB/22	22	15	14	9	6	Ø6	/	M4
6328000	ZB/24	24	15	14	8	6	/	M4	/
6328020	ZB/24	24	15	14	8	6	/	M5	/
6328005	ZB/24	24	15	14	8	6	/	M6	/
6328010	ZB/24	24	15	14	8	6	/	M8	/
6328015	ZB/24	24	15	14	9	6	Ø6	/	M4
6339000	ZB/26	26	16	15	8	6	/	M4	/
6339005	ZB/26	26	16	15	8	6	/	M5	/
6339010	ZB/26	26	16	15	8	6	/	M6	/
6339015	ZB/26	26	16	15	8	6	/	M8	/
6339020	ZB/26	26	16	15	9	6	Ø6	/	M4
6332090	ZB/32	32	19	18	9	8	/	M6	/
6332095	ZB/32	32	19	18	9	8	/	M8	/

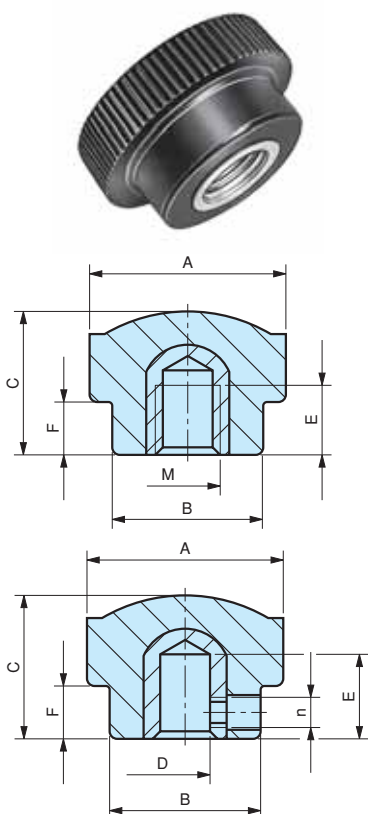
**NOTE:**

Grano in acciaio filettato M4, testa a brugola.

Si forniscono, per quantità adeguate, in colori diversi e con inserti a misura in acciaio, in ottone, in acciaio inox.

**Materiale:**

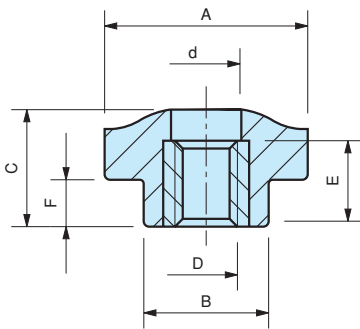
Tecnopolimero nero, finitura opaca.  
Black thermoplastic, mat.  
Plastique polyamide, surface mat.



# ZB/FP

## Volantino zigrinato Knurled knob

## Bouton moleté



Bussola ottone foro passante filettato.  
Brass insert with tapped through hole.  
Insert en laiton traversant taraudé.

cod.	modello	A	B	C	D	d	E	F
6332200	<b>ZB/15/FP</b>	15	11	14	M4	7	11	7
6332205	<b>ZB/15/FP</b>	15	11	14	M5	7	11	7
6332001	<b>ZB/22/FP</b>	22	15	14	M4	9	11	6
6332006	<b>ZB/22/FP</b>	22	15	14	M5	9	11	6
6332011	<b>ZB/22/FP</b>	22	15	14	M6	9	11	6
6332016	<b>ZB/22/FP</b>	22	15	14	M8	9	11	6
6328001	<b>ZB/24/FP</b>	24	15	14	M4	9	11	6
6328021	<b>ZB/24/FP</b>	24	15	14	M5	9	11	6
6328006	<b>ZB/24/FP</b>	24	15	14	M6	9	11	6
6328016	<b>ZB/24/FP</b>	24	15	14	M8	9	11	6
6339095	<b>ZB/26/FP</b>	26	16	15	M4	9	11	6
6339100	<b>ZB/26/FP</b>	26	16	15	M5	9	11	6
6339105	<b>ZB/26/FP</b>	26	16	15	M6	9	11	6
6339110	<b>ZB/26/FP</b>	26	16	15	M8	9	11	6
6332300	<b>ZB/32/FP</b>	32	19	18	M6	9	11	8
6332305	<b>ZB/32/FP</b>	32	19	18	M8	9	11	8

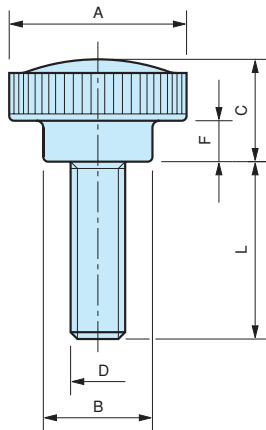
**NOTE:** Si forniscono, per quantità adeguate, in colori diversi e con inserti a misura in acciaio, in ottone, in acciaio inox.

**Materiale:** Tecnopolimero nero, finitura opaca.  
Black thermoplastic, mat.  
Plastique polyamide, surface mat.

# ZP

## Volantino zigrinato Knurled knob

## Bouton moleté



Perno in acciaio zincato filettato.  
Threaded zinc plated steel stud.  
Tige filetée en acier zingué.

cod.	modello	A	B	C	F	D	L
6327050	ZP/15	15	11	14	7	M4	10
6327055	ZP/15	15	11	14	7	M4	15
6327080	ZP/15	15	11	14	7	M5	10
6331005	ZP/22	22	15	14	6	M4	10
6331010	ZP/22	22	15	14	6	M4	25
6331015	ZP/22	22	15	14	6	M5	10
6331016	ZP/22	22	15	14	6	M5	15
6331017	ZP/22	22	15	14	6	M6	10
6331020	ZP/22	22	15	14	6	M6	15
6331030	ZP/22	22	15	14	6	M6	20
6331025	ZP/22	22	15	14	6	M6	25
6331033	ZP/22	22	15	14	6	M6	30
6331035	ZP/22	22	15	14	6	M6	35
6331036	ZP/22	22	15	14	6	M6	40
6327020	ZP/24	24	15	14	6	M4	10
6327025	ZP/24	24	15	14	6	M4	25
6327005	ZP/24	24	15	14	6	M5	10
6327030	ZP/24	24	15	14	6	M6	10
6327010	ZP/24	24	15	14	6	M6	15
6327015	ZP/24	24	15	14	6	M6	25
6338010	ZP/26	26	16	15	6	M5	10
6338015	ZP/26	26	16	15	6	M5	15
6338020	ZP/26	26	16	15	6	M5	25
6338025	ZP/26	26	16	15	6	M6	10
6338030	ZP/26	26	16	15	6	M6	15
6338033	ZP/26	26	16	15	6	M6	20
6338035	ZP/26	26	16	15	6	M6	25
6338040	ZP/26	26	16	15	6	M6	40
6338050	ZP/26	26	16	15	6	M8	25
6327150	ZP/32	32	19	18	8	M6	15
6327155	ZP/32	32	19	18	8	M6	20
6327160	ZP/32	32	19	18	8	M6	25
6327165	ZP/32	32	19	18	8	M6	30
6327175	ZP/32	32	19	18	8	M6	40
6327190	ZP/32	32	19	18	8	M8	15
6327195	ZP/32	32	19	18	8	M8	25
6327200	ZP/32	32	19	18	8	M8	40

**NOTE:** Si forniscono, per quantità adeguate, in colori diversi e con inserti a misura in acciaio, in ottone, in acciaio inox.

**Materiale:** Tecnopolimero nero, finitura opaca.  
Black thermoplastic, mat.  
Plastique polyamide, surface mat.

INOX - STAINLESS STEEL

# GPX

Galletto di fissaggio  
Plastic wing nut

Vis à oreilles

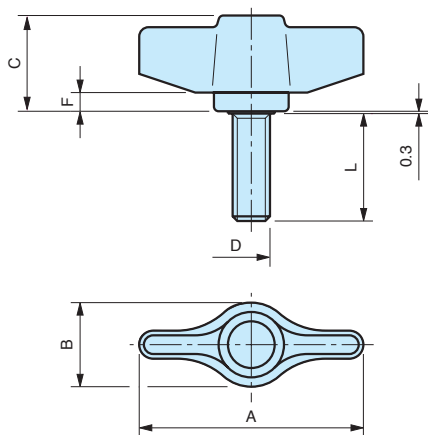


Perno in acciaio inox filettato.  
Threaded stainless steel stud.  
Tige filetée en acier inoxydable.

cod.	modello	A	B	C	D	L	F
6310300	<b>GPX/34</b>	34	14	18	M 6	20	4
6310310	<b>GPX/34</b>	34	14	18	M 6	30	4

**NOTE:** Si forniscono, per quantità adeguate, in colori diversi e con inserti a misura.

**Materiale:** Tecnopolimero nero, finitura opaca.  
Black thermoplastic, mat.  
Plastique polyamide noir, surface mat.



INOX - STAINLESS STEEL

# ZPX

Volantino zigrinato  
Knurled knob

Bouton moleté

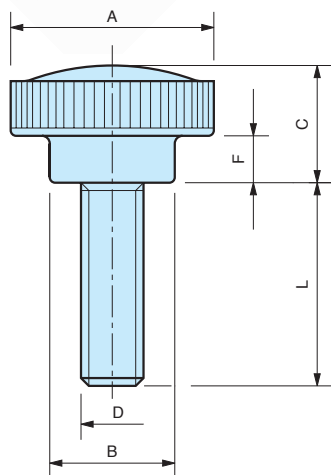


Perno in acciaio inox filettato.  
Threaded stainless steel stud.  
Tige filetée en acier inoxydable.

cod.	modello	A	B	C	F	D	L
6331400	<b>ZPX/22</b>	22	15	14	6	M 5	10
6338300	<b>ZPX/26</b>	26	16	15	6	M 6	20
6338310	<b>ZPX/26</b>	26	16	15	6	M 6	30

**NOTE:** Si forniscono, per quantità adeguate, in colori diversi e con inserti a misura.

**Materiale:** Tecnopolimero nero, finitura opaca.  
Black thermoplastic, mat.  
Plastique polyamide noir, surface mat.



# GB

## Galletto di fissaggio Plastic wing nut

## Ecrou à oreilles

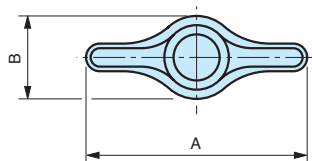
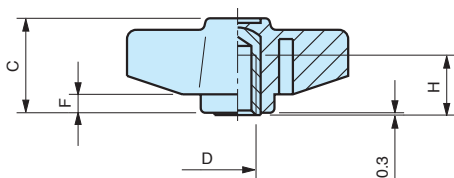


Bussola ottone foro cieco filettato.  
Brass insert with tapped blind hole.  
Insert en laiton borgne taraudé.

cod.	modello	A	B	C	D	H	F
6309495	<b>GB/34</b>	34	14	18	M5	8	4
6309500	<b>GB/34</b>	34	14	18	M6	9	4
6309505	<b>GB/34</b>	34	14	18	M8	9	4
6309507	<b>GB/40</b>	40	15	19	M6	9	4
6309508	<b>GB/40</b>	40	15	19	M8	9	4
6309510	<b>GB/48</b>	48	17	20	M6	13	4
6309515	<b>GB/48</b>	48	17	20	M8	13	4

**NOTE:** Si forniscono, per quantità adeguate, in colori diversi e con inserti a misura in acciaio, in ottone, in acciaio inox.

**Materiale:** Tecnopolimero nero, finitura opaca.  
Black thermoplastic, mat.  
Plastique polyamide, surface mat.



# GB/FP

## Galletto di fissaggio Plastic wing nut

## Ecrou à oreilles

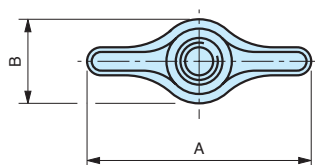
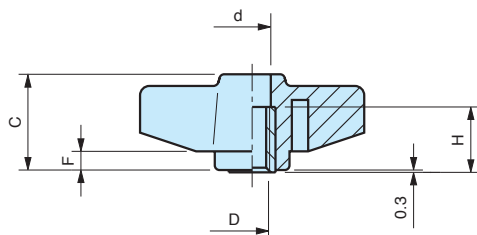


Bussola ottone foro passante filettato.  
Brass insert with tapped through hole.  
Insert en laiton traversant taraudé.

cod.	modello	A	B	C	D	d	H	F
6309019	<b>GB/34/FP</b>	34	14	18	M5	7	15	4
6309020	<b>GB/34/FP</b>	34	14	18	M6	7	15	4
6309030	<b>GB/40/FP</b>	40	15	19	M6	9	15	4
6309035	<b>GB/40/FP</b>	40	15	19	M8	9	15	4
6309010	<b>GB/48/FP</b>	48	17	20	M6	9	15	4
6309015	<b>GB/48/FP</b>	48	17	20	M8	9	15	4

**NOTE:** Si forniscono, per quantità adeguate, in colori diversi e con inserti a misura in acciaio, in ottone, in acciaio inox.

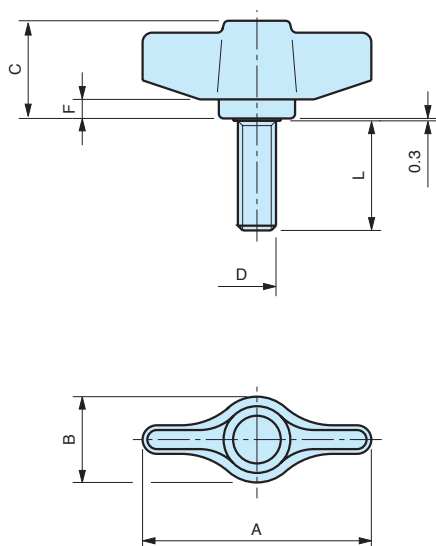
**Materiale:** Tecnopolimero nero, finitura opaca.  
Black thermoplastic, mat.  
Plastique polyamide, surface mat.



# GP

## Galletto di fissaggio Plastic wing nut

## Vis à oreilles



Perno in acciaio zincato filettato.  
Threaded zinc plated steel stud.  
Tige filetée en acier zingué.

cod.	modello	A	B	C	D	L	F
6310033	GP/34	34	14	18	M4	10	4
6310035	GP/34	34	14	18	M4	15	4
6310040	GP/34	34	14	18	M5	10	4
6310042	GP/34	34	14	18	M5	15	4
6310050	GP/34	34	14	18	M6	10	4
6310055	GP/34	34	14	18	M6	15	4
6310060	GP/34	34	14	18	M6	20	4
6310065	GP/34	34	14	18	M6	25	4
6310070	GP/34	34	14	18	M8	10	4
6310075	GP/34	34	14	18	M8	15	4
6310080	GP/34	34	14	18	M8	20	4
6310085	GP/34	34	14	18	M8	25	4
6310150	GP/40	40	15	19	M6	15	4
6310155	GP/40	40	15	19	M6	20	4
6310170	GP/40	40	15	19	M8	15	4
6310175	GP/40	40	15	19	M8	20	4
6310180	GP/40	40	15	19	M8	25	4
6310003	GP/48	48	17	20	M6	10	4
6310005	GP/48	48	17	20	M6	15	4
6310007	GP/48	48	17	20	M6	20	4
6310008	GP/48	48	17	20	M6	25	4
6310010	GP/48	48	17	20	M8	10	4
6310015	GP/48	48	17	20	M8	15	4
6310020	GP/48	48	17	20	M8	20	4
6310022	GP/48	48	17	20	M8	25	4
6310023	GP/48	48	17	20	M8	30	4
6310025	GP/48	48	17	20	M8	35	4
6310028	GP/48	48	17	20	M8	40	4

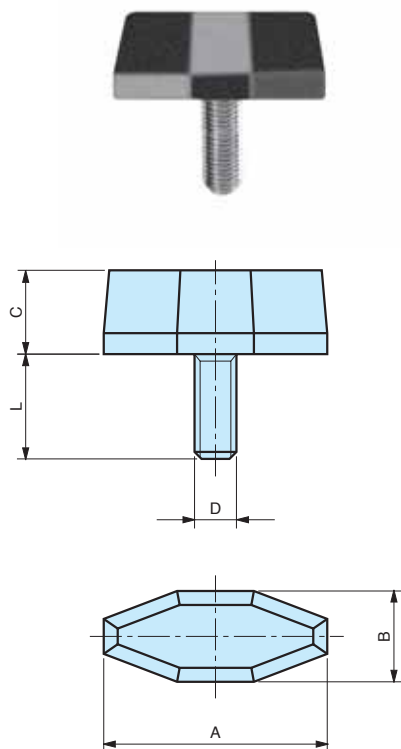
**NOTE:** Si forniscono, per quantità adeguate, in colori diversi e con inserti a misura in acciaio, in ottone, in acciaio inox.

**Materiale:** Tecnopolimero nero, finitura opaca.  
Black thermoplastic, mat.  
Plastique polyamide, surface mat.

# GS

## Galletto di fissaggio Plastic wing nut

## Vis à oreilles



Perno in acciaio zincato filettato.  
Threaded zinc plated steel stud.  
Tige filetée en acier zingué.

cod.	modello	A	B	C	D	L
6378010	<b>GS/22</b>	22	9	10	M4	10
6378020	<b>GS/22</b>	22	9	10	M5	10
6378025	<b>GS/22</b>	22	9	10	M5	15
6378050	<b>GS/26</b>	26	11	11	M5	10
6378055	<b>GS/26</b>	26	11	11	M5	15
6378070	<b>GS/26</b>	26	11	11	M6	10
6378075	<b>GS/26</b>	26	11	11	M6	15
6378080	<b>GS/26</b>	26	11	11	M6	20
6378085	<b>GS/26</b>	26	11	11	M6	25
6378150	<b>GS/32</b>	32	12	12	M6	10
6378155	<b>GS/32</b>	32	12	12	M6	15
6378160	<b>GS/32</b>	32	12	12	M6	20
6378165	<b>GS/32</b>	32	12	12	M6	25

**NOTE:** Si forniscono, per quantità adeguate, in colori diversi e con inserti a misura in acciaio, in ottone, in acciaio inox.

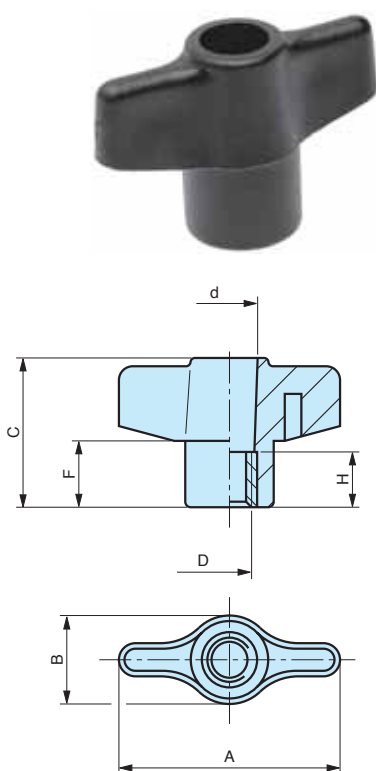
**Materiale:** Tecnopolimero nero, finitura opaca.  
Black thermoplastic, mat.  
Plastique polyamide, surface mat.

MODELLO DEPOSITATO

# GBA/FP

## Galletto di fissaggio Plastic wing nut

## Ecrou à oreilles



Bussola in acciaio foro passante filettato.  
Zinc plated steel insert with tapped through hole.  
Insert en acier traversant taraudé.

cod.	modello	A	B	C	D	d	H	F
6309700	<b>GBA/40/FP</b>	40	16	27	M8	9	10	12

**NOTE:** Si forniscono, per quantità adeguate, in colori diversi e con inserti a misura in acciaio, in ottone, in acciaio inox.

**Materiale:** Tecnopolimero nero, finitura opaca.  
Black thermoplastic, mat.  
Plastique polyamide, surface mat.



# G2/B

## Galletto di fissaggio Plastic wing nut

## Vis à oreilles

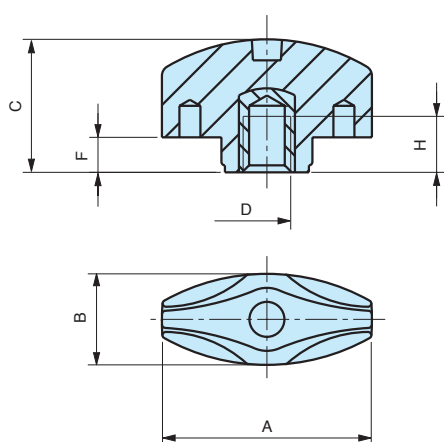


Bussola ottone foro cieco filettato.  
Brass insert with tapped blind hole.  
Insert en laiton borgne taraudé.

cod.	modello	A	B	C	D	H	F
7386005	G2/30/B	30	13	19	M4	8	5
7386010	G2/30/B	30	13	19	M5	8	5
7386015	G2/30/B	30	13	19	M6	8	5
7386020	G2/30/B	30	13	19	M8	8	5

**NOTE:** Si forniscono, per quantità adeguate, in colori diversi e con inserti a misura in acciaio, in ottone, in acciaio inox.

**Materiale:** Tecnopolimero nero, finitura opaca.  
Black thermoplastic, mat.  
Polyamide noir, surface mate.



# G2/P

## Galletto di fissaggio Plastic wing nut

## Vis à oreilles

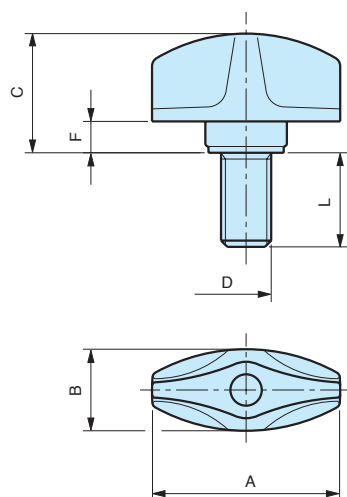


Perno in acciaio zincato filettato.  
Threaded zinc plated steel stud.  
Tige filetée en acier zingué.

cod.	modello	A	B	C	D	L	F
7387005	G2/30/P	30	13	19	M4	10	5
7387010	G2/30/P	30	13	19	M4	15	5
7387015	G2/30/P	30	13	19	M4	20	5
7387025	G2/30/P	30	13	19	M5	10	5
7387030	G2/30/P	30	13	19	M5	15	5
7387040	G2/30/P	30	13	19	M5	25	5
7387050	G2/30/P	30	13	19	M5	30	5
7387065	G2/30/P	30	13	19	M6	10	5
7387070	G2/30/P	30	13	19	M6	15	5
7387075	G2/30/P	30	13	19	M6	20	5
7387080	G2/30/P	30	13	19	M6	25	5
7387085	G2/30/P	30	13	19	M6	30	5
7387090	G2/30/P	30	13	19	M6	35	5
7387095	G2/30/P	30	13	19	M6	40	5
7387110	G2/30/P	30	13	19	M8	10	5
7387115	G2/30/P	30	13	19	M8	15	5
7387120	G2/30/P	30	13	19	M8	20	5
7387125	G2/30/P	30	13	19	M8	25	5
7387130	G2/30/P	30	13	19	M8	30	5
7387140	G2/30/P	30	13	19	M8	40	5

**NOTE:** Si forniscono, per quantità adeguate, in colori diversi e con inserti a misura in acciaio, in ottone, in acciaio inox.

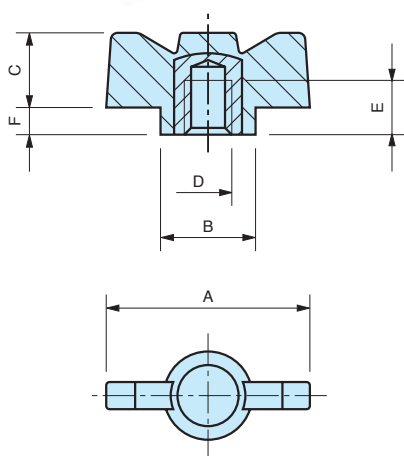
**Materiale:** Tecnopolimero nero, finitura opaca.  
Black thermoplastic, mat.  
Polyamide noir, surface mate.



# GB

## Galletto di fissaggio Plastic wing nut

## Ecrou à oreilles



Bussola ottone foro cieco filettato.  
Brass insert with tapped blind hole.  
Insert en laiton borgne taraudé.

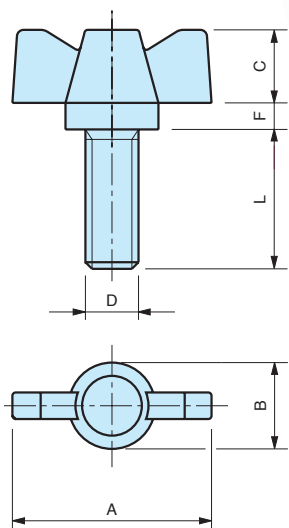
cod.	modello	A	B	C	E	F	D
7318005	<b>GB/30</b>	30	13	11	9	4	M4
7318010	<b>GB/30</b>	30	13	11	9	4	M5
7318015	<b>GB/30</b>	30	13	11	9	4	M6
7318020	<b>GB/30</b>	30	13	11	9	4	M8

**Materiale:** Tecnopolimero nero.  
Black thermoplastic.  
Plastique polyamide.

# GP

## Galletto di fissaggio Plastic wing nut

## Vis à oreilles



Perno in acciaio zincato filettato.  
Threaded zinc plated steel stud.  
Tige filetée en acier zingué.

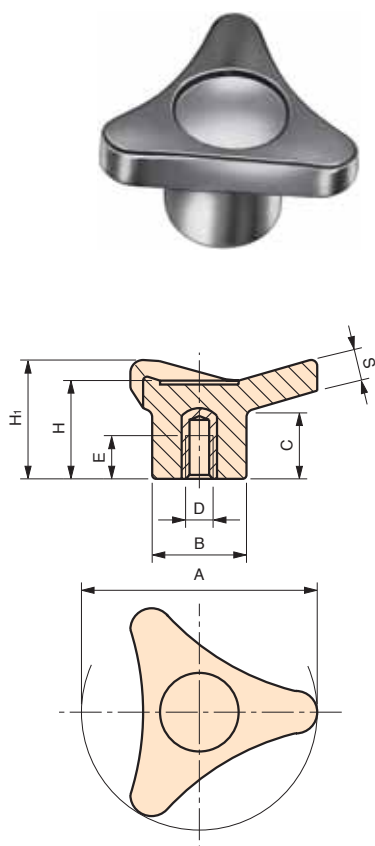
cod.	modello	A	B	C	F	D	L
7116006	<b>GP/30</b>	30	13	11	4	M4	15
7116007	<b>GP/30</b>	30	13	11	4	M5	15
7116003	<b>GP/30</b>	30	13	11	4	M6	15
7116004	<b>GP/30</b>	30	13	11	4	M6	25
7116001	<b>GP/30</b>	30	13	11	4	M8	15
7116002	<b>GP/30</b>	30	13	11	4	M8	25

**Materiale:** Tecnopolimero nero.  
Black thermoplastic.  
Plastique polyamide.

# 3P/B

## Volantino a tre punte Three lobe-knob

## Petit volant à trois lobes



Bussola ottone foro cieco filettato.  
Brass insert with tapped blind hole.  
Insert en laiton borgne taraudé.

cod.	modello	A	B	H <sub>1</sub>	H	C	S	D	E
6111005	3P/34/B	34	17	22	20	12	7	M 5	9
6111010	3P/34/B	34	17	22	20	12	7	M 6	9
6111015	3P/34/B	34	17	22	20	12	7	M 8	9
6111020	3P/45/B	45	25	30	27	18	8,5	M 6	13
6111025	3P/45/B	45	25	30	27	18	8,5	M 8	15
6111030	3P/45/B	45	25	30	27	18	8,5	M 10	16
6111035	3P/65/B	65	30	39	36	25	10	M 8	15
6111040	3P/65/B	65	30	39	36	25	10	M 10	16
6111045	3P/65/B	65	30	39	36	25	10	M 12	18
6111050	3P/85/B	85	35	48	43	30	12	M 8	15
6111055	3P/85/B	85	35	48	43	30	12	M 10	16
6111060	3P/85/B	85	35	48	43	30	12	M 12	18
6111065	3P/85/B	85	35	48	43	30	12	M 16	20

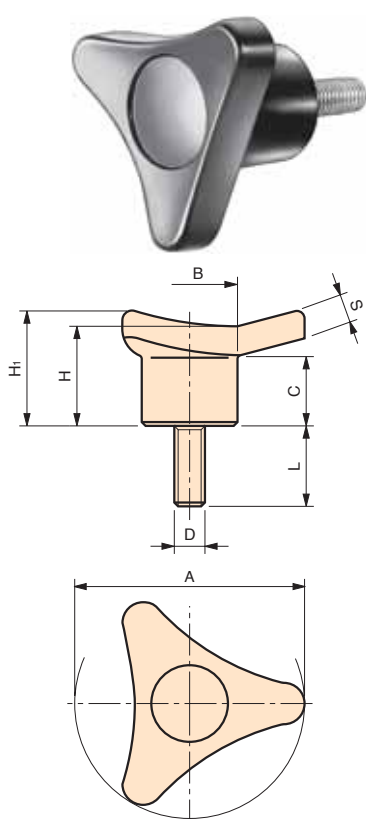
**NOTE:** Si forniscono, per quantità adeguate, in colori diversi e con inserti a misura in acciaio, in ottone, in acciaio inox.

**Materiale:** Duroplasto nero.  
Black phenolic plastic.  
Duroplast noir.

# 3P/P

## Volantino a tre punte Three lobe-knob

## Petit volant à trois lobes



Perno in acciaio zincato filettato.  
Threaded zinc plated steel stud.

Tige filetée en acier zingué.

cod.	modello	A	B	H <sub>1</sub>	H	C	S	D	L
6110005	3P/34/P	34	17	22	20	12	7	M 6	15
6110010	3P/34/P	34	17	22	20	12	7	M 6	20
6110015	3P/34/P	34	17	22	20	12	7	M 6	25
6110020	3P/34/P	34	17	22	20	12	7	M 6	30
6110025	3P/34/P	34	17	22	20	12	7	M 8	15
6110030	3P/34/P	34	17	22	20	12	7	M 8	20
6110035	3P/34/P	34	17	22	20	12	7	M 8	25
6110040	3P/45/P	45	25	30	27	18	8,5	M 8	20
6110045	3P/45/P	45	25	30	27	18	8,5	M 8	30
6110050	3P/45/P	45	25	30	27	18	8,5	M 8	40
6110055	3P/45/P	45	25	30	27	18	8,5	M 10	30
6110060	3P/65/P	65	30	39	36	25	10	M 8	40
6110065	3P/65/P	65	30	39	36	25	10	M 10	30
6110070	3P/85/P	85	35	48	43	30	12	M 10	15
6110075	3P/85/P	85	35	48	43	30	12	M 12	20
6110080	3P/85/P	85	35	48	43	30	12	M 12	35

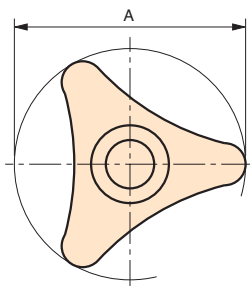
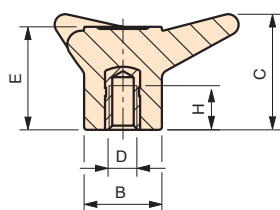
**NOTE:** Si forniscono, per quantità adeguate, in colori diversi e con inserti a misura in acciaio, in ottone, in acciaio inox.

**Materiale:** Duroplasto nero.  
Black phenolic plastic.  
Duroplast noir.

# 3P/B

## Volantino a tre punte Three lobe-knob

## Volant à trois lobes



Bussola ottone foro cieco filettato.  
Brass insert with tapped blind hole.  
Insert en laiton borgne taraudé.

cod.	modello	A	D	C	H	E	B
6111070	<b>3P/110/B</b>	110	M 8	55	21	49	37
6111075	<b>3P/110/B</b>	110	M 10	55	21	49	37
6111080	<b>3P/110/B</b>	110	M 12	55	21	49	37
6111085	<b>3P/110/B</b>	110	M 14	55	21	49	37
6111090	<b>3P/110/B</b>	110	M 16	55	21	49	37

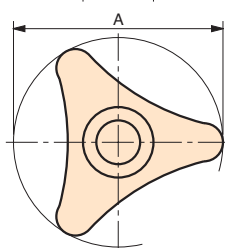
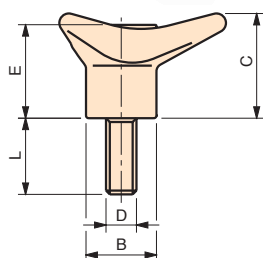
**NOTE:** Si forniscono, per quantità adeguate, in colori diversi e con inserti a misura in acciaio, in ottone, in acciaio inox.

**Materiale:** Duroplasto nero.  
Black phenolic plastic.  
Duroplast noir.

# 3P/P

## Volantino a tre punte Three lobe-knob

## Volant à trois lobes



Perno in acciaio zincato filettato.  
Threaded zinc plated steel stud.  
Tige filetée en acier zingué.

cod.	modello	A	C	E	B	D	L
6110085	<b>3P/110/P</b>	110	55	49	37	M10	25
6110090	<b>3P/110/P</b>	110	55	49	37	M12	50

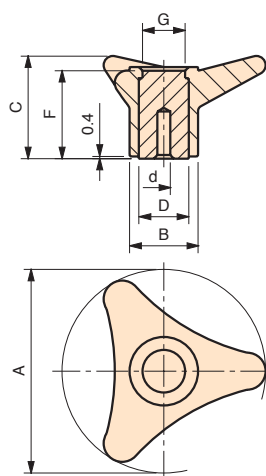
**NOTE:** Si forniscono, per quantità adeguate, in colori diversi e con inserti a misura in acciaio, in ottone, in acciaio inox.

**Materiale:** Duroplasto nero.  
Black phenolic plastic.  
Duroplast noir.

# 3P/A

## Volantino a tre punte Three lobe-knob

## Volant à trois lobes



Mozzo in acciaio zincato affiorante superiormente.  
Zinc plated steel hub.  
Moyeu en acier traversant zingué.

cod.	modello	A	B	C	F	D	d	G
6111100	3P/110/A	110	37	55	48	26	8	23

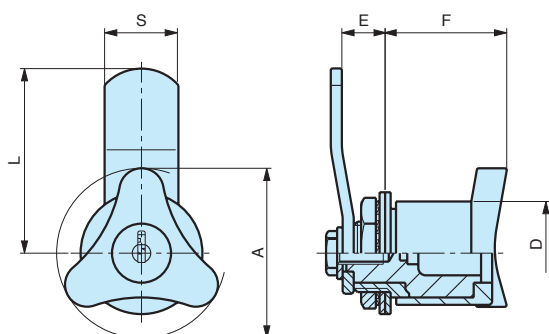
**NOTE:** Il mozzo affiorante è stato creato per lavorazioni speciali tipo fori passanti quadri oppure tondi, fori passanti filettati.  
Foro cieco di invito che può essere allargato alla misura desiderata.  
Si forniscono, per quantità adeguate, i volantini con mozzo forato a misura.

**Materiale:** Duroplasto nero.  
Black phenolic plastic.  
Duroplast noir.

# 3P/CH

## Volantino a tre punte Three lobe-knob

## Volant à trois lobes



Serratura incorporata.  
Incorporated key-lock  
Serrure incorporée.

cod.	modello	A	D	F	E	L	S
6156000	3P/45/D	45	29	30	8	52	20
6156020	3P/45/S	45	29	30	8	52	20
6156040	3P/45/CHD	45	29	30	8	52	20
6156060	3P/45/CHS	45	29	30	8	52	20
6156080	3P/45/CHDU	45	29	30	8	52	20
6156100	3P/45/CHSU	45	29	30	8	52	20

**NOTE:** Specificare sempre se chiusura destra oppure sinistra.  
∅ di foratura 20 mm.

**CH** Serratura incorporata. Movimento a 90°. Chiave con cifratura diversa per ogni serratura.  
90° movement. Key with different coding for each key-lock.  
Mouvement à 90° avec clé différente.

**CHU** Serratura incorporata. Movimento a 90°. Chiave con cifratura uguale per ogni serratura.  
90° movement. Key with the same coding for each key-lock.  
Mouvement à 90° avec clé universelle.

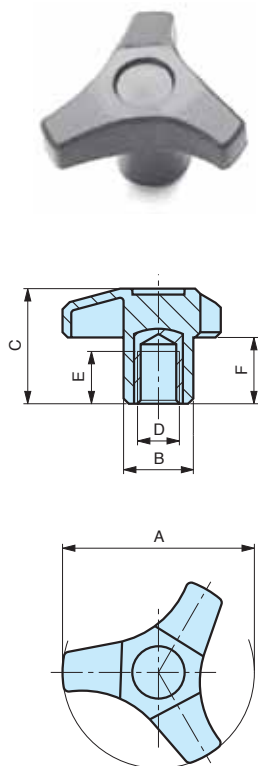
**D-S** Senza serratura. Movimento a 90°.  
No key-lock. 90° movement.  
Sens de fermeture sans clé.

**Materiale:** Tecnopolimero nero, finitura opaca.  
Black thermoplastic, mat.  
Plastique polyamide, surface mat.

# V3/B

## Volantino a tre punte Three lobe-knob

## Petit volant à trois lobes



Bussola ottone foro cieco filettato.  
Brass insert with tapped blind hole.  
Insert en laiton borgne taraudé.

cod.	modello	A	B	C	F	D	E
7385005	<b>V3/45/B</b>	45	18	27	16	M 6	14
7385010	<b>V3/45/B</b>	45	18	27	16	M 8	14
7385015	<b>V3/45/B</b>	45	18	27	16	M10	14
7385030	<b>V3/55/B</b>	55	20	33	19	M 8	14
7385035	<b>V3/55/B</b>	55	20	33	19	M10	14
7385040	<b>V3/55/B</b>	55	20	33	19	M12	14

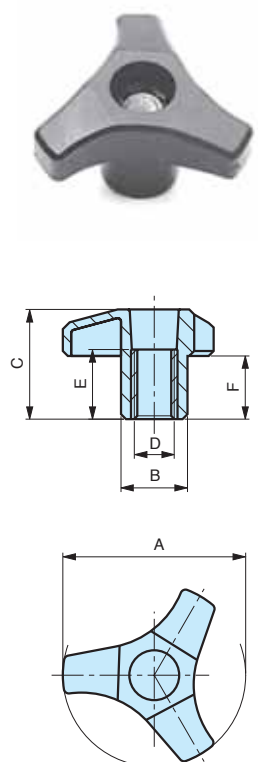
**NOTE:** Si forniscono, per quantità adeguate, in colori diversi e con inserti a misura in acciaio, in ottone, in acciaio inox.

**Materiale:** Tecnopolimero nero, finitura opaca.  
Black thermoplastic, mat.  
Polyamide noir, surface mate.

# V3/B/FP

## Volantino a tre punte Three lobe-knob

## Petit volant à trois lobes



Bussola ottone foro passante filettato.  
Brass insert with tapped through hole.  
Insert en laiton traversant taraudé.

cod.	modello	A	B	C	F	D	E
7384005	<b>V3/45/B-FP</b>	45	18	27	16	M 6	15
7384010	<b>V3/45/B-FP</b>	45	18	27	16	M 8	15
7384015	<b>V3/45/B-FP</b>	45	18	27	16	M10	15
7384030	<b>V3/55/B-FP</b>	55	20	33	19	M 8	15
7384035	<b>V3/55/B-FP</b>	55	20	33	19	M10	15
7384040	<b>V3/55/B-FP</b>	55	20	33	19	M12	15

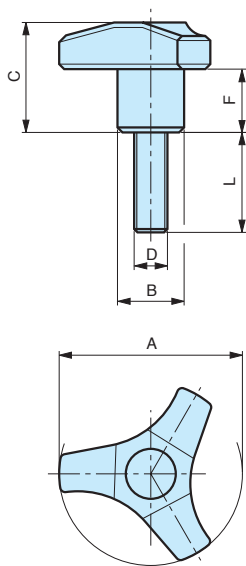
**NOTE:** Si forniscono, per quantità adeguate, in colori diversi e con inserti a misura in acciaio, in ottone, in acciaio inox.

**Materiale:** Tecnopolimero nero, finitura opaca.  
Black thermoplastic, mat.  
Polyamide noir, surface mate.

# V3/P

## Volantino a tre punte Three lobe-knob

## Petit volant à trois lobes



Perno in acciaio zincato filettato.  
Threaded zinc plated steel stud.  
Tige filetée en acier zingué.

cod.	modello	A	B	C	F	D	L
7383015	V3/45/P	45	18	27	16	M 6	15
7383020	V3/45/P	45	18	27	16	M 6	20
7383025	V3/45/P	45	18	27	16	M 6	25
7383030	V3/45/P	45	18	27	16	M 6	30
7383035	V3/45/P	45	18	27	16	M 6	40
7383040	V3/45/P	45	18	27	16	M 8	15
7383045	V3/45/P	45	18	27	16	M 8	20
7383055	V3/45/P	45	18	27	16	M 8	30
7383060	V3/45/P	45	18	27	16	M 8	40
7383070	V3/45/P	45	18	27	16	M10	20
7383080	V3/45/P	45	18	27	16	M10	30
7383160	V3/55/P	55	20	33	19	M 6	20
7383165	V3/55/P	55	20	33	19	M 6	25
7383170	V3/55/P	55	20	33	19	M 6	30
7383175	V3/55/P	55	20	33	19	M 6	40
7383185	V3/55/P	55	20	33	19	M 8	20
7383190	V3/55/P	55	20	33	19	M 8	25
7383195	V3/55/P	55	20	33	19	M 8	30
7383200	V3/55/P	55	20	33	19	M 8	40
7383205	V3/55/P	55	20	33	19	M10	15
7383210	V3/55/P	55	20	33	19	M10	20
7383220	V3/55/P	55	20	33	19	M10	30

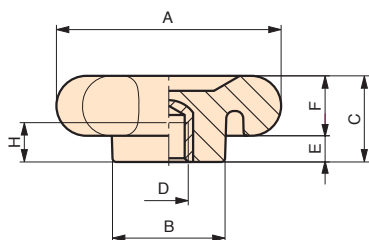
**NOTE:** Si forniscono, per quantità adeguate, in colori diversi e con inserti a misura in acciaio, in ottone, in acciaio inox.

**Materiale:** Tecnopolimero nero, finitura opaca.  
Black thermoplastic, mat.  
Polyamide noir, surface mate.

# VB

## Volantino a cinque lobi Five lobe-knob

## Volant à cinq lobes



Bussola ottone foro cieco filettato.  
Brass insert with tapped blind hole.  
Insert en laiton borgne taraudé.

cod.	modello	A	C	B	D	H	E	F
6117005	<b>VB/75</b>	75	28	34	M10	13	8	20
6117010	<b>VB/75</b>	75	28	34	M12	13	8	20

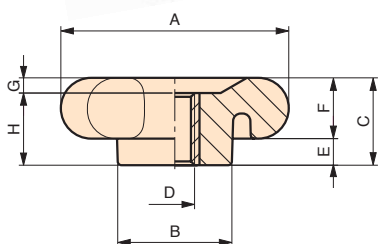
**NOTE:** Si forniscono, per quantità adeguate, in colori diversi e con inserti a misura in acciaio, in ottone, in acciaio inox.

**Materiale:** Duroplasto nero.  
Black phenolic plastic.  
Duroplast noir.

# VB/FP

## Volantino a cinque lobi Five lobe-knob

## Volant à cinq lobes



Bussola ottone foro passante filettato.  
Brass insert with tapped through hole.  
Insert en laiton traversant taraudé.

cod.	modello	A	C	B	D	H	G	E	F
6119005	<b>VB/75/FP</b>	75	28	34	M10	21	7	8	20

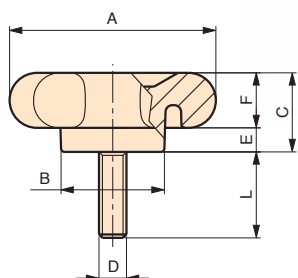
**NOTE:** Si forniscono, per quantità adeguate, in colori diversi e con inserti a misura in acciaio, in ottone, in acciaio inox.

**Materiale:** Duroplasto nero.  
Black phenolic plastic.  
Duroplast noir.

# VP

## Volantino a cinque lobi Five lobe-knob

## Volant à cinq lobes



Perno in acciaio zincato filettato.  
Threaded zinc plated steel stud.  
Tige filetée en acier zingué.

cod.	modello	A	C	B	D	L	E	F
6118005	<b>VP/75</b>	75	28	34	M10	60	8	20
6118010	<b>VP/75</b>	75	28	34	M12	60	8	20

**NOTE:** Si forniscono, per quantità adeguate, in colori diversi e con inserti a misura in acciaio, in ottone, in acciaio inox.

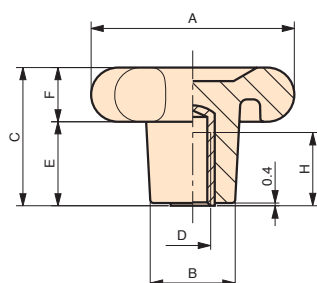
**Materiale:** Duroplasto nero.  
Black phenolic plastic.  
Duroplast noir.



# VUB

## Volantino allungato a cinque lobi Five lobe-knob

## Volant allongé à cinq lobes



Bussola ottone foro cieco filettato.  
Brass insert with tapped blind hole.  
Insert en laiton borgne taraudé.

cod.	modello	A	B	C	D	E	F	H
6120000	<b>VUB/60</b>	60	25	40	M 8	24	16	18
6120002	<b>VUB/60</b>	60	25	40	M 10	24	16	18
6120005	<b>VUB/75</b>	75	30	48	M 10	28	20	21
6120010	<b>VUB/75</b>	75	30	48	M 12	28	20	21
6120015	<b>VUB/90</b>	90	35	52	M 12	32	20	21
6120020	<b>VUB/90</b>	90	35	52	M 14	32	20	21

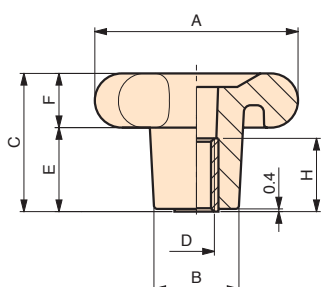
**NOTE:** Si forniscono, per quantità adeguate, in colori diversi e con inserti a misura in acciaio, in ottone, in acciaio inox.

**Materiale:** Duroplasto nero.  
Black phenolic plastic.  
Duroplast noir.

# VUB/FP

## Volantino allungato a cinque lobi Five lobe-knob

## Volant allongé à cinq lobes



Bussola ottone foro passante filettato.  
Brass insert with tapped through hole.  
Insert en laiton traversant taraudé.

cod.	modello	A	B	C	D	E	F	H
6122005	<b>VUB/75/FP</b>	75	30	48	M10	28	20	21
6122010	<b>VUB/75/FP</b>	75	30	48	M12	28	20	21
6122015	<b>VUB/90/FP</b>	90	35	52	M12	32	20	21
6122020	<b>VUB/90/FP</b>	90	35	52	M14	32	20	21

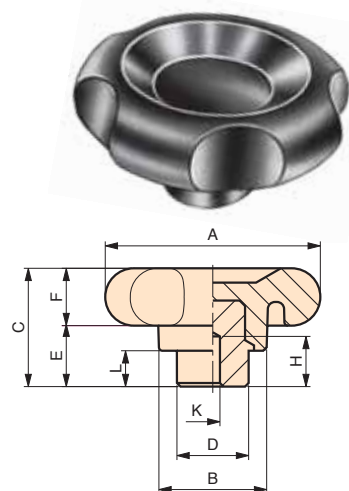
**NOTE:** Si forniscono, per quantità adeguate, in colori diversi e con inserti a misura in acciaio, in ottone, in acciaio inox.

**Materiale:** Duroplasto nero.  
Black phenolic plastic.  
Duroplast noir.

# VU

## Volantino a cinque lobi Five lobe-knob

## Volant à cinq lobes



Mozzo sporgente in acciaio zincato.  
Zinc plated steel hub.  
Moyeu saillant en acier zingué.

cod.	modello	A	B	C	D	E	F	H	K	L
6124000	<b>VU/60</b>	60	30	32	20	16	16	15	4	10
6124005	<b>VU/75</b>	75	34	39	24	19	20	22	4	11
6124010	<b>VU/90</b>	90	44	42	32	22	20	25	6	12

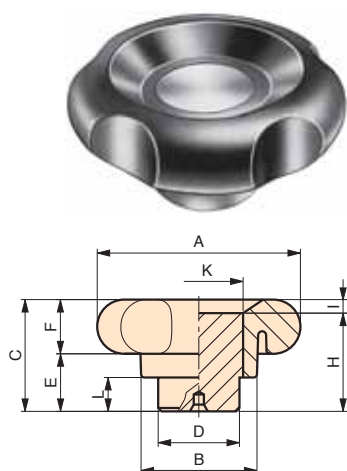
**NOTE:** Foro cieco di invito che può essere allargato alla misura desiderata.  
Si forniscono, per quantità adeguate, i volantini con mozzo forato a misura.

**Materiale:** Duroplasto nero.  
Black phenolic plastic.  
Duroplast noir.

# VUA

## Volantino a cinque lobi Five lobe-knob

## Volant à cinq lobes



Mozzo in acciaio zincato affiorante superiormente.  
Zinc plated steel hub.  
Moyeu traversant en acier zingué.

cod.	modello	A	B	C	D	E	F	H	I	K	L
6126000	<b>VUA/60</b>	60	34	32	24	16	16	26	6	26	10
6126005	<b>VUA/75</b>	75	40	40	30	20	20	32,5	7,5	32	12
6126010	<b>VUA/90</b>	90	47	44	35	24	20	36,7	8,3	40	14

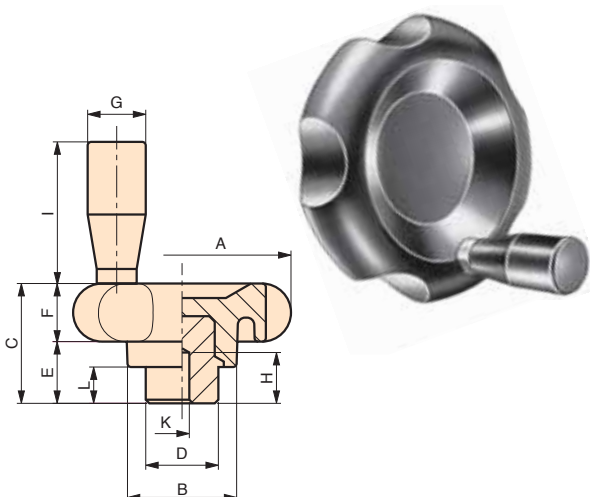
**NOTE:** Il mozzo affiorante è stato creato per lavorazioni speciali tipo fori passanti quadri oppure tondi, fori passanti filettati.  
Si forniscono, per quantità adeguate, i volantini con mozzo forato a misura.

**Materiale:** Duroplasto nero.  
Black phenolic plastic.  
Duroplast noir.

# VUM

## Volantino a cinque lobi Five lobe-knob

## Volant à cinq lobes



Manopola girevole su perno acciaio. Mozzo sporgente in acciaio zincato.  
Revolving handle. Zinc plated steel hub.  
Poignée libre sur axe acier. Moyeu saillant en acier zingué.

cod.	modello	A	B	C	D	E	F	G	H	I	K	L
6125005	<b>VUM/75</b>	75	34	39	24	19	20	17	22	43	4	11
6125010	<b>VUM/90</b>	90	44	42	32	22	20	17	25	43	6	12

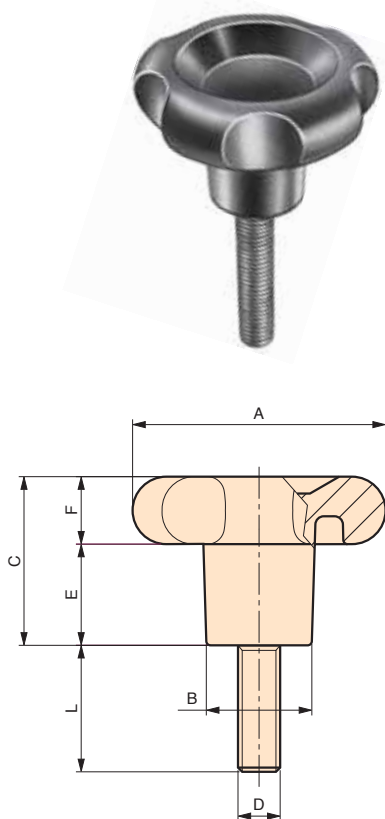
**NOTE:** Si forniscono, per quantità adeguate, in colori diversi e con inserti a misura in acciaio, in ottone, in acciaio inox.

**Materiale:** Duroplasto nero.  
Black phenolic plastic.  
Duroplast noir.

# VUP

## Volantino allungato a cinque lobi Five lobe-knob

## Volant allongé à cinq lobes



Perno in acciaio zincato filettato.  
Threaded zinc plated steel stud.  
Tige filetée en acier zingué.

cod.	modello	A	B	C	E	F	D	L
6121000	VUP/60	60	25	40	24	16	M 8	30
6121002	VUP/60	60	25	40	24	16	M 10	30
6121003	VUP/75	75	30	48	28	20	M 10	30
6121005	VUP/75	75	30	48	28	20	M 10	60
6121010	VUP/75	75	30	48	28	20	M 10	70
6121012	VUP/75	75	30	48	28	20	M 12	30
6121015	VUP/75	75	30	48	28	20	M 12	60
6121020	VUP/75	75	30	48	28	20	M 12	70
6121025	VUP/90	90	35	52	32	20	M 12	60
6121030	VUP/90	90	35	52	32	20	M 12	70
6121035	VUP/90	90	35	52	32	20	M 14	60
6121040	VUP/90	90	35	52	32	20	M 14	70

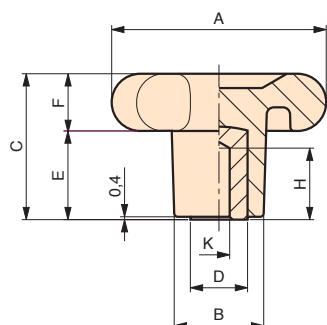
**NOTE:** Si forniscono, per quantità adeguate, in colori diversi e con inserti a misura in acciaio, in ottone, in acciaio inox.

**Materiale:** Duroplasto nero.  
Black phenolic plastic.  
Duroplast noir.

# VUC

## Volantino allungato a cinque lobi Five lobe-knob

## Volant allongé à cinq lobes



Bussola acciaio foro cieco liscio.  
Zinc plated steel insert with blind hole.  
Insert acier alesage borgne.

cod.	modello	A	B	C	D	E	F	H	K
6123000	VUC/60	60	25	40	16	24	16	20	6
6123005	VUC/75	75	30	48	18	28	20	28	8
6123010	VUC/90	90	35	52	22	32	20	31	10

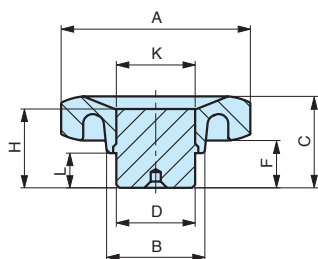
**NOTE:** Si forniscono, per quantità adeguate, in colori diversi e con inserti a misura in acciaio, in ottone, in acciaio inox.

**Materiale:** Duroplasto nero.  
Black phenolic plastic.  
Duroplast noir.

# LMA

## Volantino a sei lobi Six lobe-knob

## Volant à six lobes



Mozzo in acciaio zincato affiorante superiormente.  
Zinc plated steel hub.  
Moyeu en acier traversant zingué.

cod.	modello	A	B	C	F	D	L	H	K
6377005	<b>LMA/50</b>	50	25	25	13	20	10	22	20
6377015	<b>LMA/60</b>	60	30	29	14	25	11	25	25
6377025	<b>LMA/70</b>	70	36	32	16	30	12	27	30

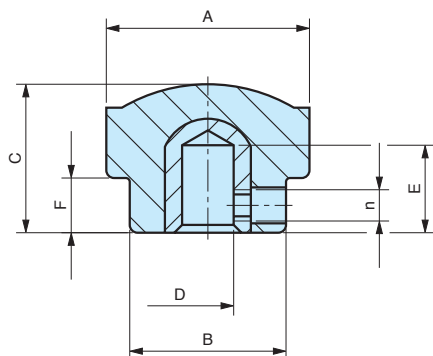
**NOTE:** Il mozzo affiorante è stato creato per lavorazioni speciali tipo fori passanti quadri oppure tondi, fori passanti filettati.  
Foro cieco di invito che può essere allargato alla misura desiderata.  
Si forniscono, per quantità adeguate, i volantini con mozzo forato a misura.  
Si forniscono, per quantità adeguate, in colori diversi.

**Materiale:** Tecnopolimero nero, finitura opaca.  
Black thermoplastic, mat.  
Plastique polyamide, surface mat.

MODELLO DEPOSITATO

# ZBI

## Volantino zigrinato con indice Bouton moleté Index knurled knob



Bussola ottone foro liscio e grano laterale in acciaio filettato.  
Bored brass insert.  
Insert en laiton borgne percé avec blocage latéral par vis acier.

cod.	modello	A	B	C	E	F	D	n
6328200	<b>ZBI/24</b>	24	15	14	9	6	∅6	M4

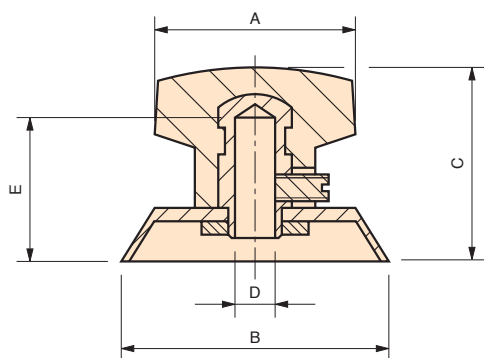
**NOTE:** A richiesta, per quantitativi adeguati, si possono eseguire altri simboli grafici e fornire in colori diversi.  
Grano in acciaio filettato M4.

**Materiale:** Tecnopolimero nero, finitura opaca.  
Black thermoplastic, mat.  
Plastique polyamide, surface mat.

# VBI

## Volantino a sei lobi Six lobe skirted knob

## Volant à six lobes



Bussola ottone foro liscio e grano laterale in acciaio filettato.  
Base ad indice in tecnopolimero nero.  
Brass insert with blind hole. Skirt with indexing point.  
Insert en laiton borgne percé avec blocage latéral par vis acier. Base avec index.

cod.	modello	B	A	D	C	E
6129005	<b>VBI/30</b>	30	20	∅ 6	18	15
6129010	<b>VBI/40</b>	40	30	∅ 6	27	21
6129015	<b>VBI/48</b>	48	40	∅ 6	30	22
6129020	<b>VBI/48</b>	48	40	∅ 8	30	24
6129025	<b>VBI/56</b>	56	50	∅ 6	35	22
6129030	<b>VBI/56</b>	56	50	∅ 8	35	24
6129035	<b>VBI/90</b>	90	70	∅ 6	50	30
6129040	<b>VBI/90</b>	90	70	∅ 8	50	30
6129045	<b>VBI/90</b>	90	70	∅12	50	30

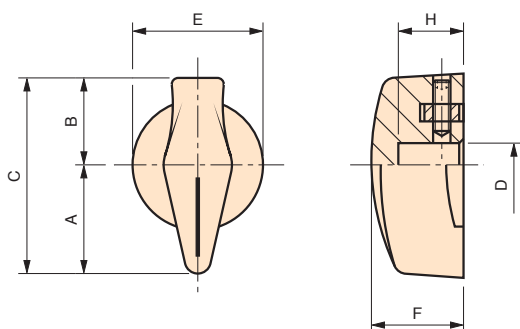
**NOTE:** Grano laterale M4 in acciaio filettato, testa a brugola.

**Materiale:** Duroplasto nero.  
Black phenolic plastic knob and black thermoplastic skirt.  
Duroplast noir.

# MRI

## Manopola di regolazione con indice Index knob for graduated dials

## Bouton de réglage



Foro liscio e grano in acciaio filettato.  
Blind hole with grub screw.  
Blocage latéral par vis acier.

cod.	modello	C	E	D	A	B	F	H
6130005	<b>MRI/35</b>	35	25	∅ 6	20	15	18	15
6130010	<b>MRI/45</b>	45	30	∅ 8	25	20	21,5	17
6130015	<b>MRI/55</b>	55	35	∅10	30	25	25	19
6130020	<b>MRI/55</b>	55	35	∅ 6	30	25	25	19

**NOTE:** Grano in acciaio filettato M4, testa a brugola.  
Si forniscono, per quantità adeguate, in colori diversi e con inserti a misura.

**Materiale:** Duroplasto nero.  
Black phenolic plastic.  
Duroplast noir.

# MZN

## Manopola zigrinata Knurled control knob

## Bouton moleté



Foro liscio e grano in acciaio filettato.  
Tapped hole with grub screw for mounting to shaft.  
Blocage latéral par vis acier.

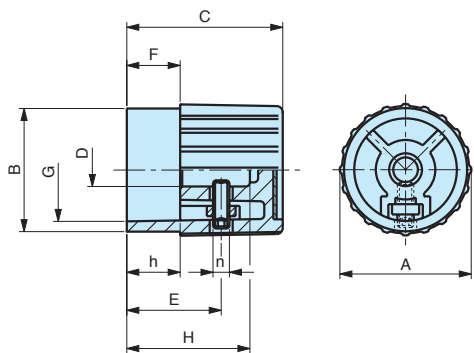
cod.	modello	A	C	B	F	G	D	H	h	E	n
6350010	<b>MZN/27</b>	27	30	25	12	22	6	25	12	18	M4
6350020	<b>MZN/32</b>	32	38	30	13	25	8	30	13	23	M4
6350030	<b>MZN/35</b>	35	45	33	15	28	10	37	15	27	M5

**NOTE:** Dischetto alluminio. Grano in acciaio filettato, testa a brugola.  
Si forniscono, per quantità adeguate, in colori diversi.

Aluminium cover disk.

Disque aluminium, vis acier tête fendue.  
Coloris divers selon quantité.

**Materiale:** Tecnopolimero nero, rinforzato con fibre di vetro. Finitura opaca.  
Black mat thermoplastic, glass fiber reinforced.  
Technopolymère noir mat renforcé fibre de verre.



MODELLO DEPOSITATO

# MZI

## Manopola zigrinata Knurled control knob

## Bouton moleté avec index



Foro liscio e grano in acciaio filettato. Manopola con indice.  
Tapped hole with grub screw. Control knob with indexing point.  
Blocage latéral par vis acier. Poignée avec index.

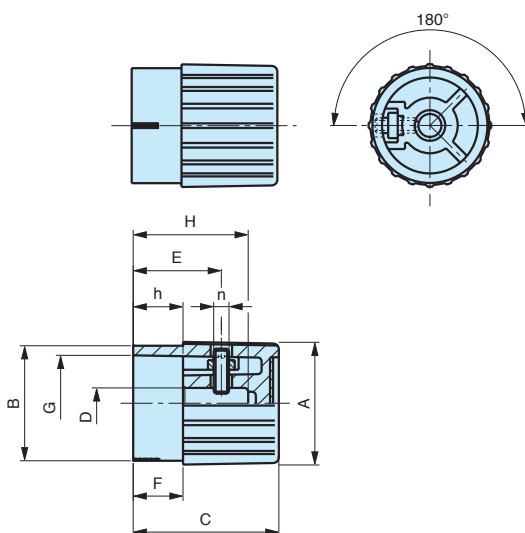
cod.	modello	A	C	B	F	G	D	H	h	E	n
6350170	<b>MZI/27</b>	27	30	25	12	22	6	25	12	18	M4
6350180	<b>MZI/32</b>	32	38	30	13	25	8	30	13	23	M4
6350190	<b>MZI/35</b>	35	45	33	15	28	10	37	15	27	M5

**NOTE:** Dischetto alluminio. Grano in acciaio filettato, testa a brugola.  
Si forniscono, per quantità adeguate, in colori diversi.  
Indice inciso al laser.

Aluminium cover disk.

Disque aluminium, vis acier tête fendue.  
Coloris divers selon quantité.

**Materiale:** Tecnopolimero nero, rinforzato con fibre di vetro. Finitura opaca.  
Black mat thermoplastic, glass fiber reinforced.  
Technopolymère noir mat renforcé fibre de verre.

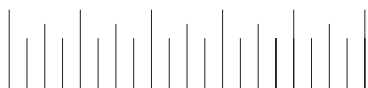
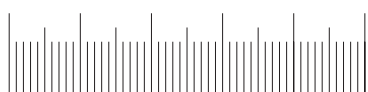
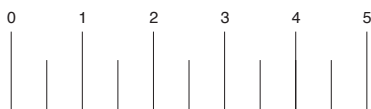


MODELLO DEPOSITATO

## Graduazioni Graduations

## Graduations

Tipo graduazione.  
Examples of graduations.



Sulla manopola zigrinata neutra modello MZN si possono ottenere graduazioni diverse incise al laser, per quantità adeguate da concordare (esempi a fianco).

For certain minimum quantities, the plain version of control knob model MZN is available with different graduation types (see examples at left).

Sur le bouton neutre MZN, il est possible de réaliser diverses graduations (selon quantité). Exemple ci-contre.

MODELLO DEPOSITATO

