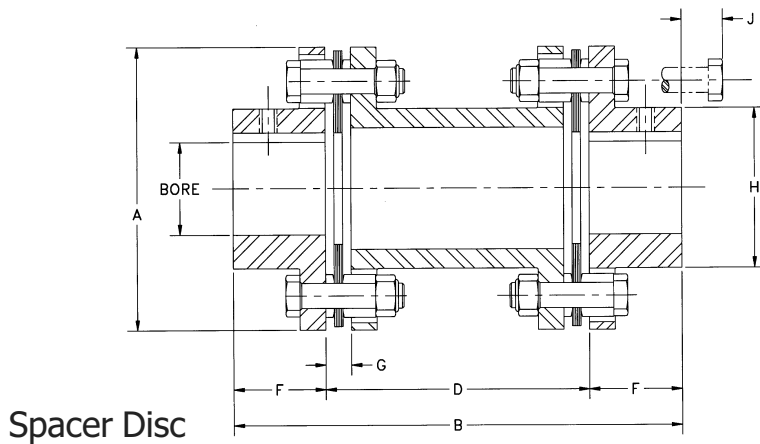
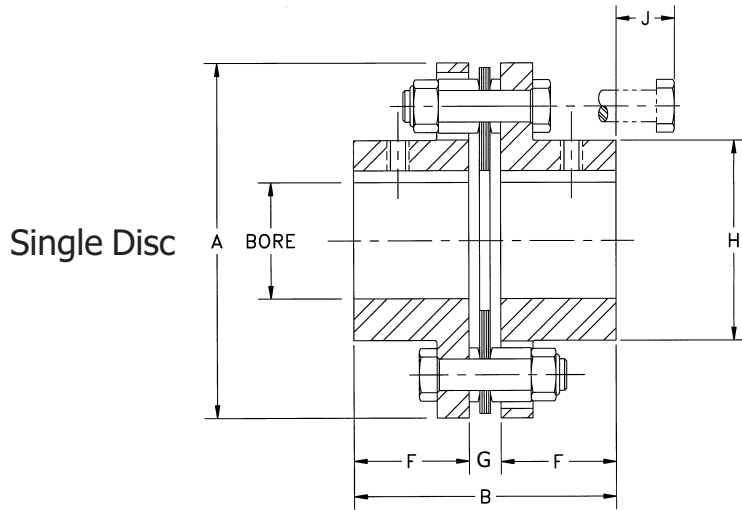


# DISC COUPLING SERIES 4000



Size	Rated Torque (Nm.)	Max. Speed (RPM.)	Max.bore (mm.)		Dimension (mm)							
			Standard	Large	A	B	F	G	H	J	D	E
4005	34	47,000	20	28	67	55.8	25	5.8	33	13	88.9	138.9
4010	90	39,000	32	40	81	57.1	25	7.1	46	16	88.9	138.9
4015	178	34,000	35	45	93	66.4	29	8.4	51	22	101.6	159.6
4020	249	30,000	42	54	104	79.0	34	11.0	61	20	127.0	195.0
4025	429	25,000	50	60	126	93.2	41	11.2	71	25	127.0	209.0
4030	783	22,000	58	73	143	108.5	48	12.5	84	28	127.0	223.0
4035	1,281	19,000	74	95	168	130.0	57	16.0	105	23	127.0	241.0
4040	2,064	16,000	83	102	194	145.0	64	17.0	118	30	139.7	267.7
4045	3,417	15,000	95	118	214	174.8	76	22.8	137	22	152.4	304.4
4050	4,900	13,000	109	125	246	202.0	89	24.0	157	23	177.8	355.8
4055	6,376	11,000	118	136	276	230.0	102	26.0	170	40	177.8	381.8

Remarks:

1. Dimension D is the distance between shaft ends and is a variable parameter.
2. Hex, round, set screw, taper or keyway bore available at additional charge.
3. Single disc type can accommodate only angular misalignment, for the value of parallel offset is given by spacer disc type.