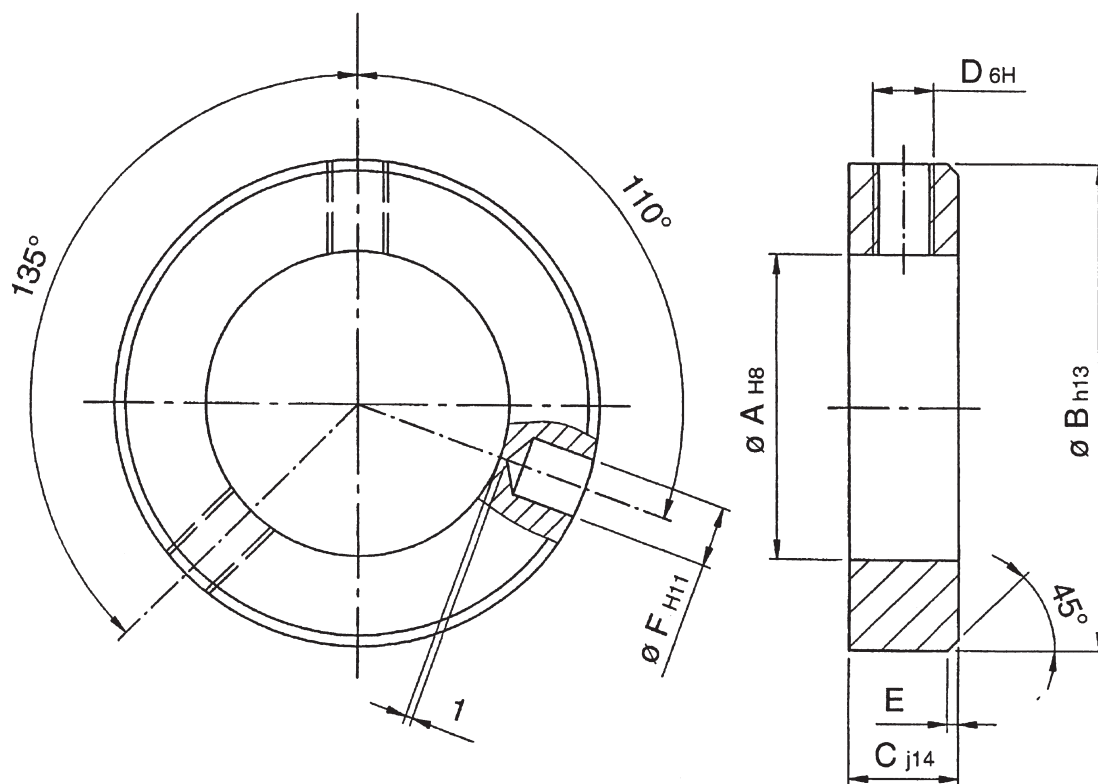


COLLARS IN COMPLIANCE WITH DIN 705



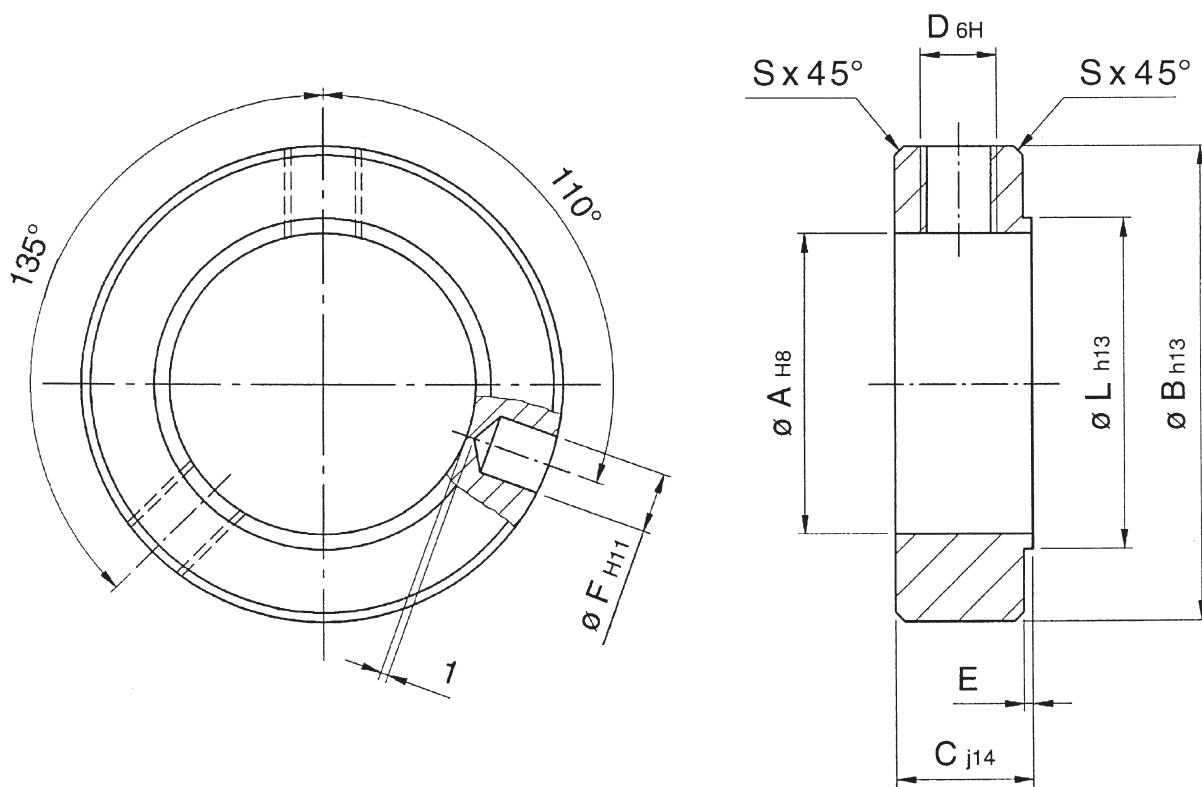
* Also available in INOX AISI 304

MATERIAL: C 45 – UNI 7845 – PHOSPHATED - GALVANISED

TYPE	A	B	C	D	E	F
C-ABU 6 *	6	12	8	M4	0.8	1.5
C-ABU 8 *	8	16	8	M4	0.8	2
C-ABU 10 *	10	20	10	M5	1	3
C-ABU 12 *	12	22	12	M6	1.2	4
C-ABU 14	14	25	12	M6	1.2	4
C-ABU 15 *	15	25	12	M6	1.2	4
C-ABU 16 *	16	28	12	M6	1.2	4
C-ABU 17 *	17	28	12	M6	1.2	4
C-ABU 18	18	32	14	M6	1.4	5
C-ABU 20 *	20	32	14	M6	1.4	5
C-ABU 25 *	25	40	16	M8	1.6	6
C-ABU 30 *	30	45	16	M8	1.6	6
C-ABU 35 *	35	56	16	M8	1.6	8
C-ABU 40 *	40	63	18	M10	1.8	8
C-ABU 45	45	70	18	M10	1.8	8
C-ABU 50 *	50	80	18	M10	1.8	10
C-ABU 60	60	90	20	M10	2	10
C-ABU 70	70	100	20	M10	2	10

Packages containing 100 pieces C-ABU 6÷20 - Packages containing 50 pieces C-ABU 25÷70

C - A B C O L L A R S



MATERIAL: C 45 - UNI 7845 - PHOSPHATED - GALVANISED

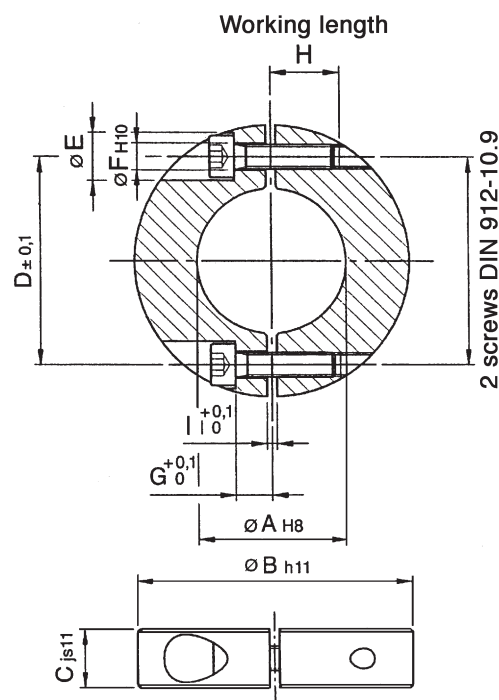
TYPE	A	B	C	D	E	F	L	S
C-AB 6	6	12	8	M4	0.6	1.5	8	0.3
C-AB 8	8	16	8	M4	0.8	2	10	0.3
C-AB 10	10	20	10	M5	0.8	3	13	0.3
C-AB 12	12	22	12	M5	0.8	4	15	0.5
C-AB 15	15	25	12	M6	1	4	18	0.6
C-AB 17	17	28	12	M6	1	4	20	0.6
C-AB 20	20	32	14	M6	1	5	24	0.8
C-AB 25	25	40	16	M6	1	6	29	0.8
C-AB 30	30	45	16	M8	1.2	6	34	1
C-AB 35	35	56	16	M8	1.2	8	39	1
C-AB 40	40	63	18	M10	1.2	8	44	1

Packages containing 100 pieces C-AB 6÷20 - Packages containing 50 pieces C-AB 25÷40

C L A M P I N G C O L L A R S

MATERIAL: C 45 – UNI 7845 – PHOSPHATED - GALVANISED

TYPE	Ø A	Ø B	C	D	Ø E	Ø F	G	H	I	Viti
C-ADB 8	8	25	10	15	8	4.5	5	15	1.4	M4x15
C-ADB 10	10	32	10	20	8	4.5	5	15	1.4	M4x15
C-ADB 12	12	32	10	20	8	4.5	5	15	2	M4x15
C-ADB 15	15	40	12	25	10	4.5	7	18	2	M5x20
C-ADB 18	18	45	12	30	10	5.5	7	18	2	M5x20
C-ADB 20	20	45	12	30	10	5.5	7	18	2	M5x20
C-ADB 24	24	50	12	36	10	5.5	7	18	2	M5x20
C-ADB 25	25	50	12	36	10	5.5	7	18	2	M5x20
C-ADB 28	28	56	12	42	10	5.5	7	18	2	M5x20
C-ADB 30	30	56	12	42	10	5.5	7	18	2	M5x20
C-ADB 32	32	56	12	42	10	5.5	7	18	2	M5x20
C-ADB 35	35	63	12	48	10	5.5	7	18	2	M5x20
C-ADB 38	38	63	12	48	10	5.5	7	18	2	M5x20
C-ADB 40	40	70	14	55	11	6.5	7	18	2	M6x20
C-ADB 45	45	80	14	65	11	6.5	7	18	2	M6x20
C-ADB 50	50	80	14	65	11	6.5	7	18	2	M6x20
C-ADB 60	60	100	16	80	14	8.5	7	18	2	M8x20
C-ADB 70	70	110	20	88	17	11	8.5	22	3	M10x25
C-ADB 80	80	125	20	100	17	11	8.5	22	3	M10x25



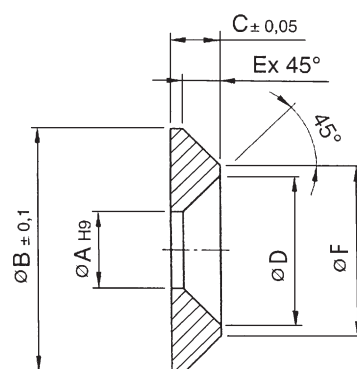
Packages containing 100 pieces C-ADB 8÷40

Packages containing 5 pieces C-ADB 45÷70

T U R N E D T A P E R W A S H E R S

MATERIAL: C 45 – UNI 7845 – PHOSPHATED - GALVANISED

TYPE	Ø A	Ø B	C	Ø D	E	Ø F
C-RC 4	4.1	13	3	8	2.1	8.8
C-RC 5	5.2	16	3.5	10	2.6	10.8
C-RC 6	6.5	18	3.5	12	2.1	13.8
C-RC 8	8.5	25	5	16.5	3.5	18
C-RC 10	10.5	33	7	20.5	6	21
C-RC 12	12.5	40	8	24.5	7	26

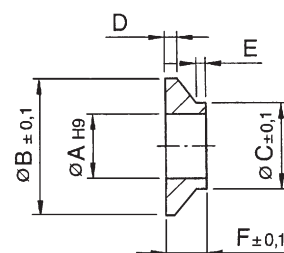


Packages containing 30 pieces

T U R N E D W A S H E R S F O R A R T I C U L A T E D H E A D S

MATERIAL: C 45 – UNI 7845 – PHOSPHATED - GALVANISED

TYPE	Ø A	Ø B	C	Ø D	E	F
C-RS 6	6.5	15	9	1.5	1	4
C-RS 8	8.5	22	12	1.5	2	6.5
C-RS 10	10.5	22	14	1.5	3	6.5



Packages containing 30 pieces